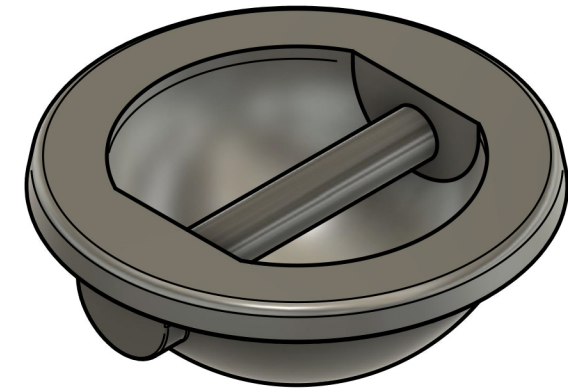
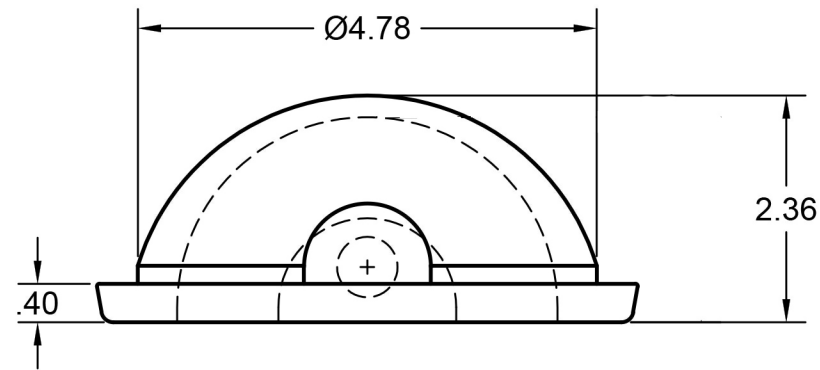
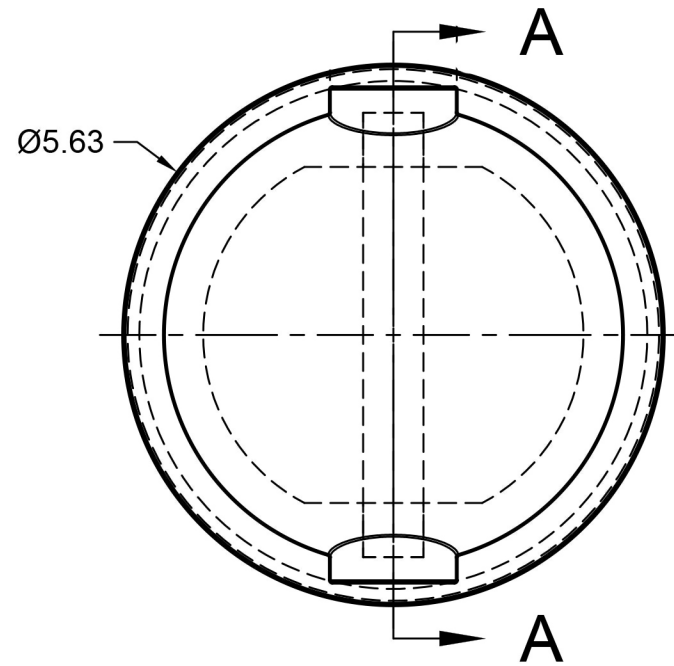



SECTION A-A



UNLESS OTHERWISE SPECIFIED DIMENSIONS ARE IN INCHES		<b>Pacific Marine &amp; Industrial®</b> www.pacificmarine.net / info@pacificmarine.net		
TOLERANCES: .X ± .03 .XX ± .01 .XXX ± .005 ANGLES .X ± 1°		TITLE <b>Aluminum Cargo Securing Point</b> 		
MATERIAL: A357-T6		SIZE B	CUSTOMER	DWG NO <b>P40SS</b>
APPROVED				REV
CHECKED				
DRAWN	Lance Hall	3/18/20	SCALE	WEIGHT
			SHEET	1/1