

Pacific Marine & Industrial

Container and Ro-Ro Lashing and Securing Equipment



Pacific Marine & Industrial
P.O. Box 70520
Richmond, California, United States 94807
www.pacificmarine.net
info@pacificmarine.net

PH: 001-510-233-2310

Container and Ro-Ro Lashing and Securing Equipment

Item	Part Number
FIXED EQUIPMENT: CONTAINER FOUNDATIONS and BASE:	
Flush Single Twistlock Pocket	<u>AA-A1</u>
Flush Double Transversal Twistlock Pocket	<u>AA-A2 279</u>
Flush Double Twistlock Pocket	<u>AA-A2</u>
Flush Quad Twistlock Pocket	<u>AA-A4</u>
Tank Top Base Foundation	<u>AB-A1</u>
Tank Top Transversal Base Foundation	<u>AB-A2 279</u>
Tank Top Double Base Foundation	<u>AB-A2</u>
Tank Top Quad Base Foundation	<u>AB-A4</u>
Raised Single Foundation	<u>AC-B1/D</u>
Raised Double Transversal Foundation	<u>AC-B2 279</u>
Raised Double Foundation	<u>AC-B2</u>
Dovetail Single 55 Degree Foundation	<u>AE-B1</u>
Dovetail Double 55 Degree Foundation	<u>AE-B2</u>
Lifting Foundation with Eye (Left or Right)	<u>AG-A1/L (R)</u>
Lifting Foundation No Eye	<u>AG-A1</u>
Breech Base Round Foundation	<u>AH-A1</u>
Weldable Cone	<u>AJ-A1</u>
FIXED EQUIPMENT: D RINGS and LASHING EYES	
D Ring 50 Tons	<u>AL-A1</u>
D Ring 36 Tons	<u>AL-C1</u>
D Ring 36 Tons Breech Base	<u>AL-J1/36</u>

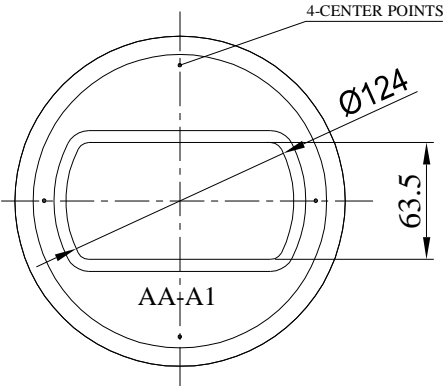
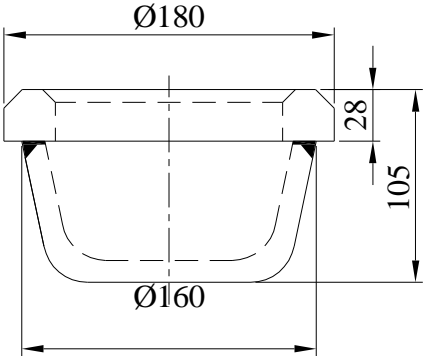
D Ring 50 Tons Breech Base	<u>AL-J1/50</u>
D Ring 36 Tons Dovetail 55 Degree Base	<u>AL-K1/36</u>
D Ring 50 Tons Dovetail 55 Degree Base	<u>AL-K1/50</u>
D Ring 36 Tons ISO Hole Base	<u>AL-L1/36</u>
D Ring 50 Tons ISO Hole Base	<u>AL-L1/50</u>
Lashing Eye for Turnbuckle Single	<u>AM-A1</u>
Lashing Eye for Turnbuckle Double	<u>AM-A2</u>
FIXED EQUIPMENT: GUIDE FITTINGS COUNTER BEARINGS	
Tank Top Guide Fitting Counter Bearing	<u>AN-A1</u>
Tank Top Guide Fitting Counter Bearing Half	<u>AN-A2</u>
Wall Counter Bearing -Tension Pressure Elements	<u>AP-A1</u>
Wall Counter Bearing – Tension Pressure Elements	<u>AP-A2</u>
LOOSE FITTINGS: TURNBUCKLES and TOOLS	
Turnbuckle Hook to Jaw	<u>BA-A1</u>
Turnbuckle Hook to Jaw Spanner	<u>BA-A1 OT</u>
Turnbuckle Knob Type	<u>BA-K1</u>
Turnbuckle Knob Type Spanner	<u>BA-K1 OT</u>
LOOSE FITTINGS: LASHING BARS and EXTENSIONS	
Lashing Bar Eye to Swivel Head Plug Type	<u>BB-B1</u>
Lashing Bar Knob Type	<u>BB-C1</u>
Lashing Bar Extension Knob Type	<u>BB-D1</u>
Lashing Bar Extension Eye to Plug Type	<u>BB-E1</u>
Lashing Bar Vertical Type	<u>BB-F1</u>
LOOSE FITTINGS: STACKING CONES	
Single Stacking Cone Non Hanging	<u>BC-A3</u>
Single Stacking Cone Bottom Non Hanging	<u>BC-B3</u>

Double Stacking Cone Transversal	<u>BC-C1 279</u>
Double Stacking Cone	<u>BC-C1</u>
Single Stacking Cone Hanging with Flange	<u>BC-G2</u>
Single Stacking Cone Hanging No Flange	<u>BC-G3</u>
LOOSE FITTINGS: TWISTLOCKS and OPERATION RODS	
Twistlock Manual Left (or Right) Locking	<u>BD-A2/L(R)</u>
Twistlock Manual Large Flange Left (or Right) Locking	<u>BD-C1/L(R)</u>
Twistlock Dovetail 55 Degree	<u>BD-E1/L</u>
Twistlock Breech Round Base	<u>BD-H1</u>
Twistlock Semi-Automatic 1 Wire	<u>BD-J1</u>
Twistlock Semi-Automatic 1 Wire Emergency Tool	<u>BD-J1 MT</u>
Twistlock Operation / Unlocking Rod	<u>BD-J1 OT</u>
Twistlock Semi-Automatic Large Flange 1 Wire	<u>BD-J2</u>
Twistlock Midlock	<u>BD-K2</u>
Twistlock Railroad AAR Approved	<u>BD-R1</u>
Twistlock Semi-Automatic 2 Wire	<u>BD-V2</u>
Twistlock Horizontal	<u>BH-A1</u>
LOOSE FITTINGS: BRIDGE FITTINGS and TENSION - PRESSURE ELEMENTS	
Bridgefitting Tension Only	<u>BE-A1</u>
Bridgefitting Spanner	<u>BE-A1 OT</u>
Bridgefitting Tension and Pressure	<u>BE-B1</u>
Tension Pressure Element Bulkhead	<u>BF-A1</u>
Pressure Element Bulkhead	<u>BF-B1</u>
LOOSE FITTINGS: RO-RO and MISCELANEOUS EQUIPMENT	
Chain Tension Lever	<u>CB-B1</u>
Chain with Hook End(s)	<u>CB-D1</u>

Turnbuckle Hook to Elephants Foot	<u>CE-B1/HE</u>
Turnbuckle Hook to Chain Hook	<u>CE-B1/HH</u>
Chain Speed Lash Elephants Foot End	<u>CE-D1/E</u>
Chain Speed Lash Hook End	<u>CE-D1/H</u>
Wheel Chock for Trailer	<u>CH-B1</u>
Lashing Gear Bins	<u>DA-B1</u>
Lashing Gear Bin Flat Rack 40 Foot	<u>DA-C1/40</u>
Lashing Gear Bin Flat Rack 20 Foot	<u>DA-C1/20</u>
ISO Hole Rubber Cover	<u>TB-P1</u>

FLUSH SINGLE TWISTLOCK POCKET

AA-A1

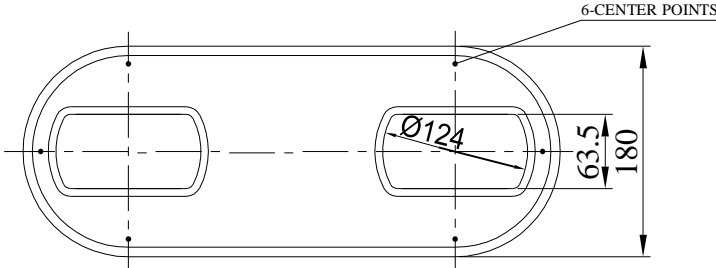
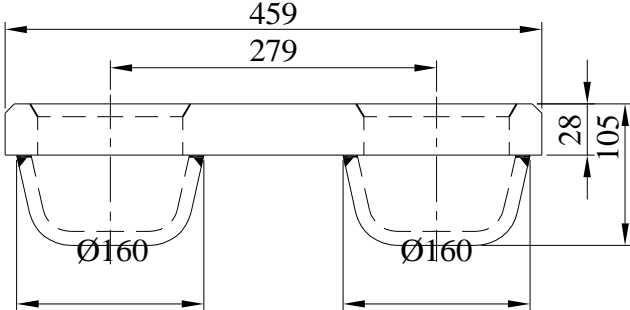


LOADS	SHEAR [KN]	TENSION [KN]
BREAKING LOAD	420	500
SAFE WORKING	210	250

TOTAL WEIGHT	7.3 KG
MATERIAL	STRUCTURAL STEEL
FINISH	SHOP PRIMER

FLUSH DOUBLE TRANSVERSAL TWISTLOCK POCKET

AA-A2/279

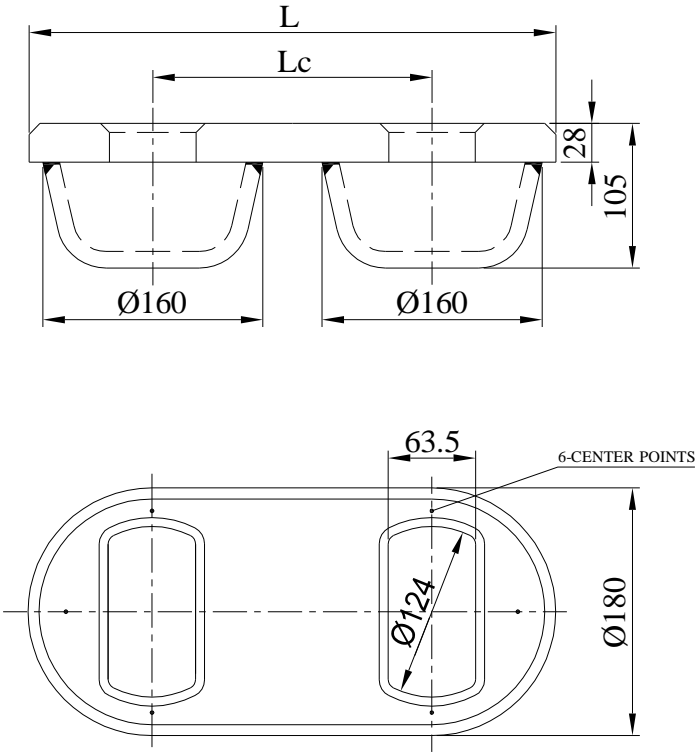


LOADS	SHEAR [KN]	TENSION [KN]
BREAKING LOAD	420	500
SAFE WORKING	210	250

TOTAL WEIGHT	21.5 KG
MATERIAL	STRUCTURAL STEEL
FINISH	SHOP PRIMER

FLUSH DOUBLE TWISTLOCK POCKET

AA-A2

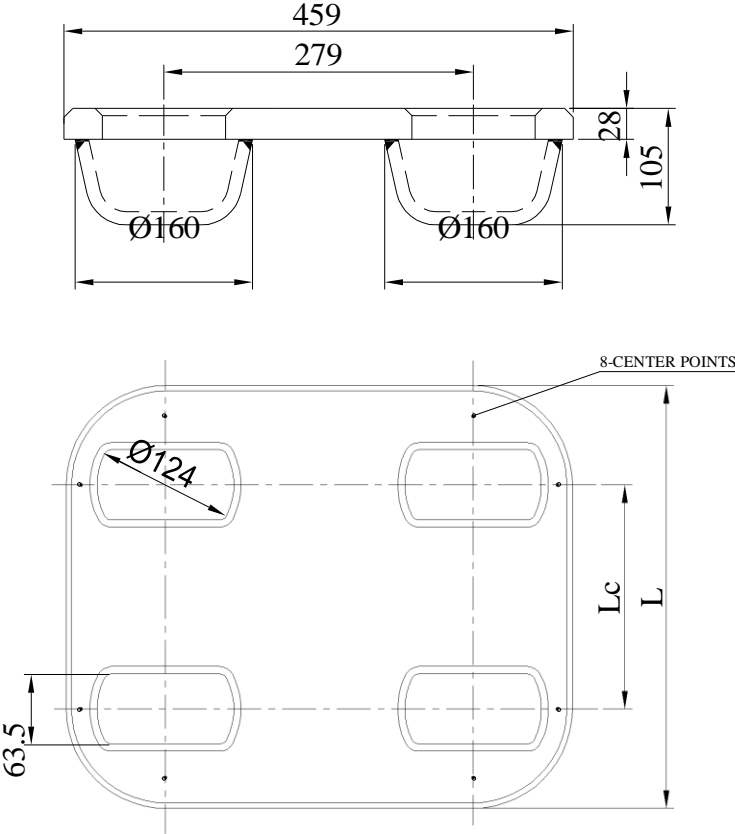


TYPE	Lc	L	Weight
AA-A2/203	203	383	17.5 KG
AA-A2/216	216	396	18.0 KG
AA-A2/258	258	438	19.5 KG

LOADS	SHEAR [KN]	TENSION
BREAKING LOAD	420	500
SAFE WORKING	210	250

FLUSH QUAD TWISTLOCK POCKET

AA-A4

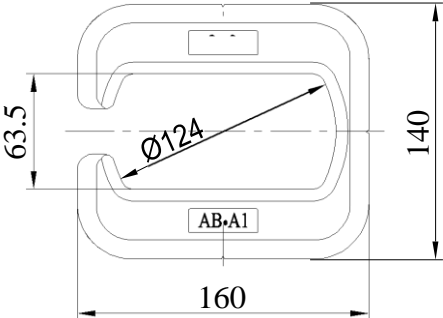
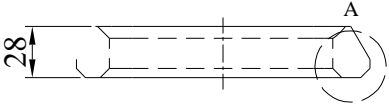


TYPE	Lc	L	Weight
AA-A4/203	203	383	45.0 KG
AA-A4/216	216	396	46.3 KG
AA-A4/258	258	438	50.5 KG

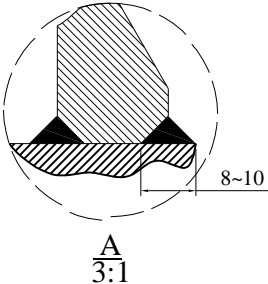
LOADS	SHEAR [KN]	TENSION [KN]
BREAKING LOAD	420	500
SAFE WORKING LOAD	210	250

TANK TOP BASE FOUNDATION

AB-A1



Welding recommendation

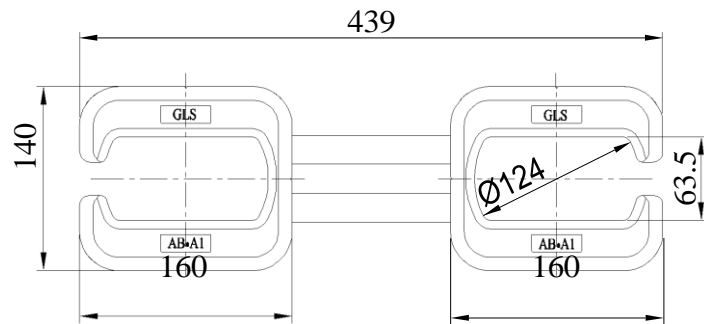
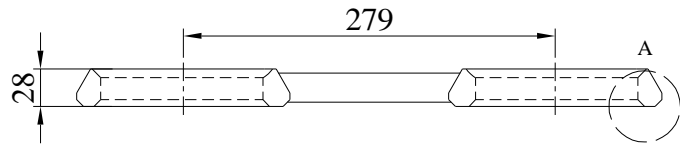


LOADS	SHEAR [KN]	TENSION [KN]
BREAKING LOAD	420	-
SAFE WORKING	210	-

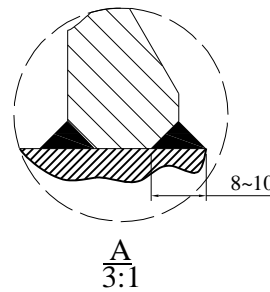
TOTAL WEIGHT	1.87 KG
MATERIAL	CASTING STEEL
FINISH	SHOP PRIMER

TANK TOP TRANSVERSAL BASE FOUNDATION

AB-A2 279



Welding recommendation

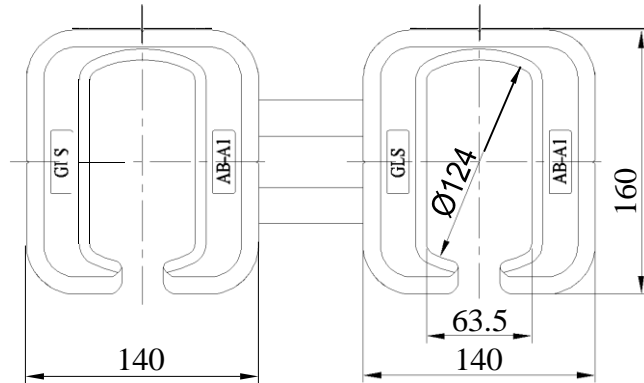
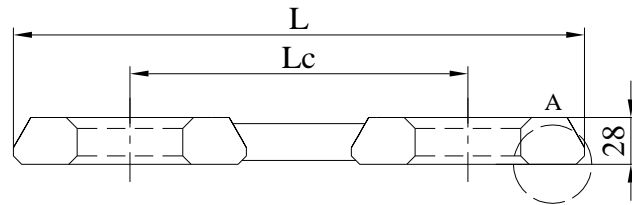


LOADS	SHEAR [KN]	TENSION [KN]
BREAKING LOAD	420	-
SAFE WORKING	210	-

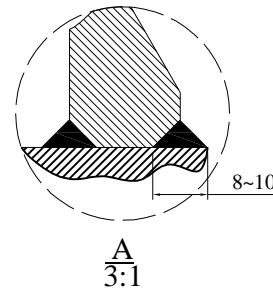
TOTAL WEIGHT	4.62 KG
MATERIAL	CASTING STEEL
FINISH	SHOP PRIMER

TANK TOP DOUBLE BASE FOUNDATION

AB-A2



Welding recommendation

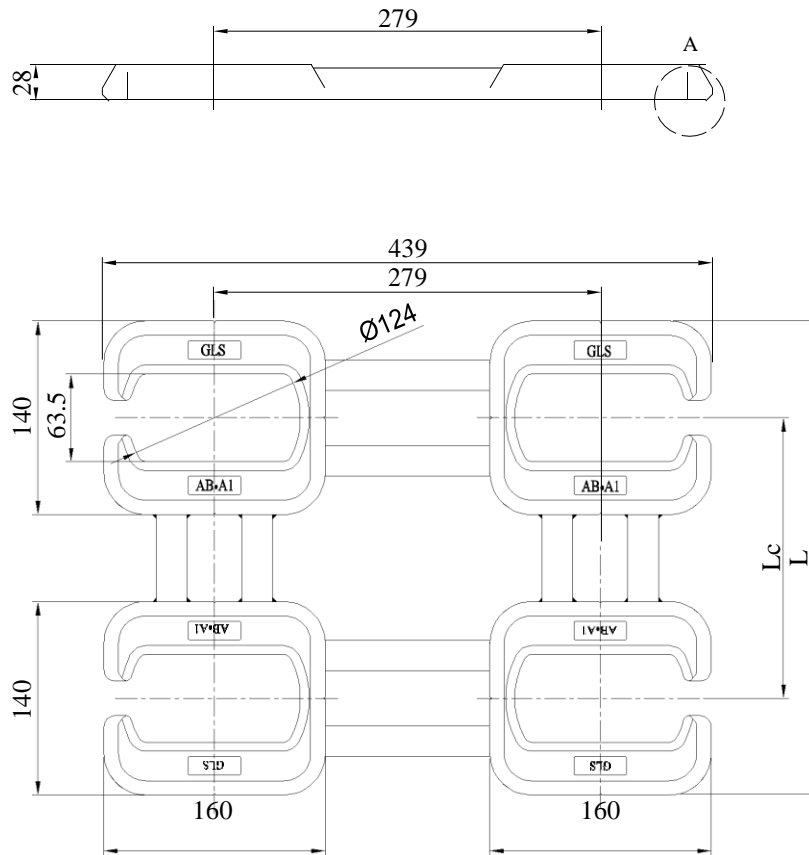


TYPE	Lc	L	Weight
AB-A2/203	203	343	4.17 KG
AB-A2/216	216	356	4.24 KG
AB-A2/258	258	398	4.50 KG

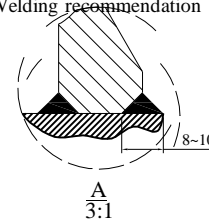
LOADS	SHEAR [KN]	TENSION [KN]
BREAKING LOAD	420	-
SAFE WORKING LOAD	210	-

TANK TOP QUAD BASE FOUNDATION

AB-A4



Welding recommendation

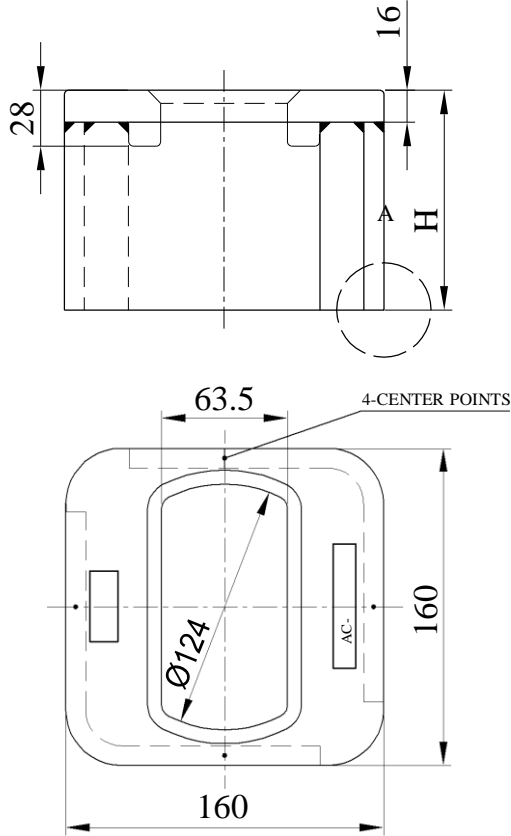


TYPE	Lc	L	Weight
AB-A4/203	203	343	16.2 KG
AB-A4/216	216	356	16.4 KG
AB-A4/258	258	398	17.2 KG

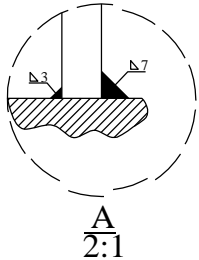
LOADS	SHEAR [KN]	TENSION [KN]
BREAKING LOAD	420	-
SAFE WORKING	210	-

RAISED SINGLE FOUNDATION

AC-B1/D



Welding recommendation

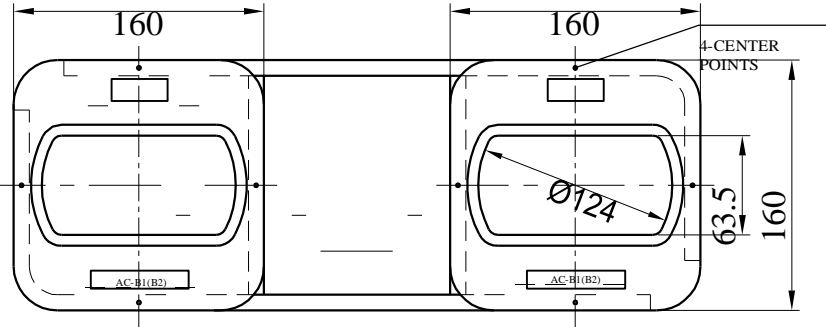
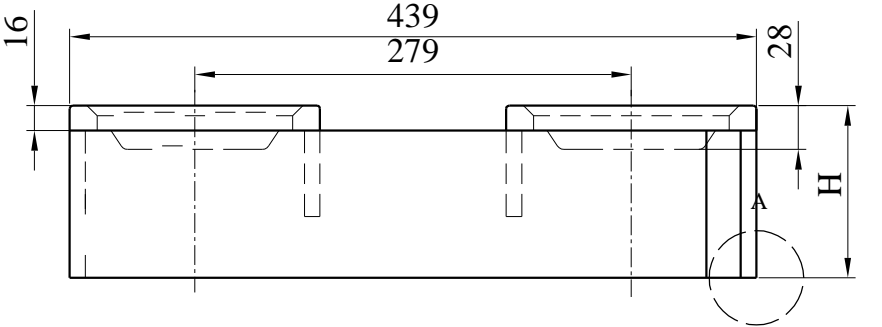


TYPE	H	Weight
AC-B1/D/110	110	6.0 KG
Other height upon request		

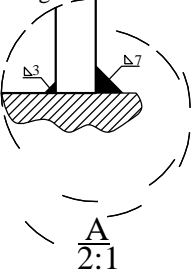
LOADS	SHEAR [KN]	TENSION [KN]
BREAKING LOAD	420	500
SAFE WORKING	210	250

RAISED DOUBLE TRANSVERSAL FOUNDATION

AC-B2/D/279



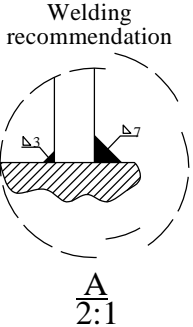
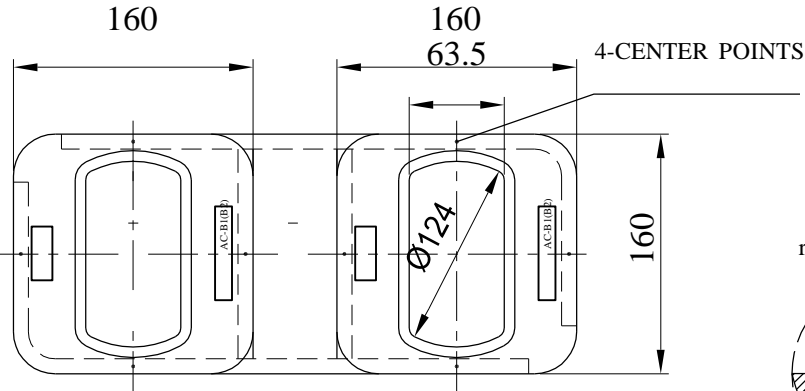
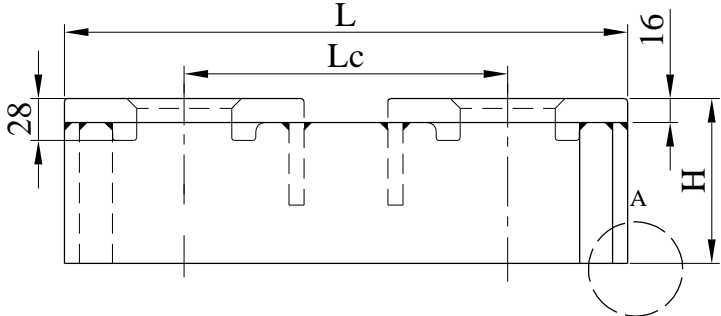
Welding recommendation



TYPE	Lc	L	H	Weight
AC-B2/D/279/110	279	439	110	13.2 KG
Other height upon request				
LOADS	SHEAR [KN]		TENSION	
BREAKING LOAD	420		500	
SAFE WORKING	210		250	

RAISED DOUBLE FOUNDATION

AC-B2/D

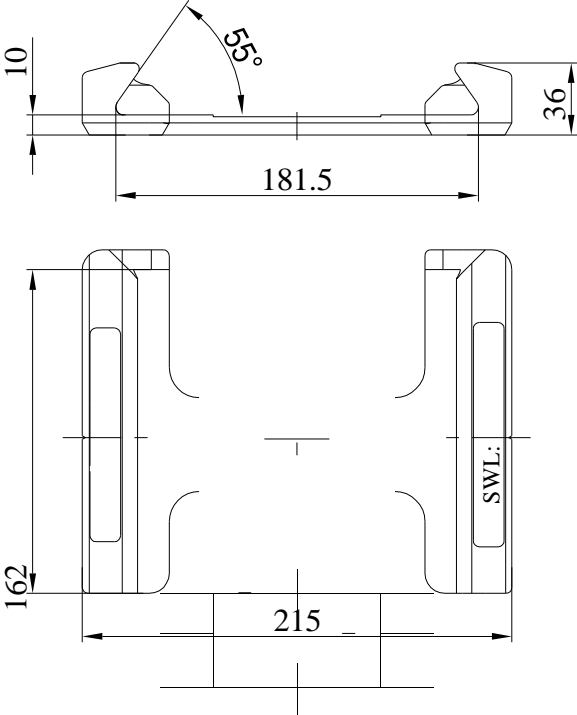


TYPE	Lc	L	H	Weight
AC-B2/D/203/110	203	363	110	12.4 KG
AC-B2/D/216/110	216	376	110	12.6 KG
AC-B2/D/258/110	258	418	110	13.3 KG
Other height(H) according to orders				

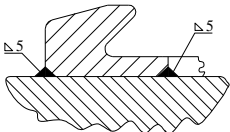
LOADS	SHEAR [KN]	TENSION
BREAKING LOAD	420	500
SAFE WORKING	210	250

DOVETAIL SINGLE 55 DEGREE FOUNDATION

AE-B1



Welding recommendation

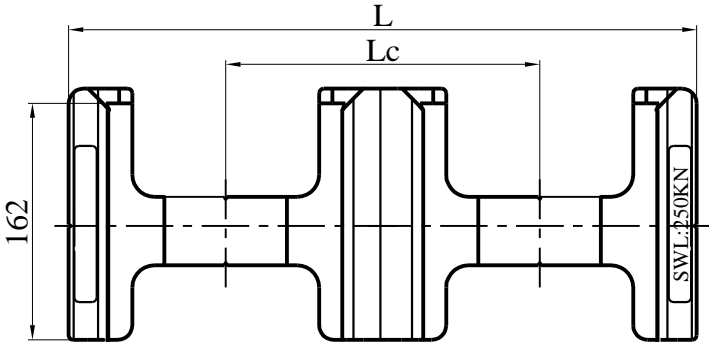
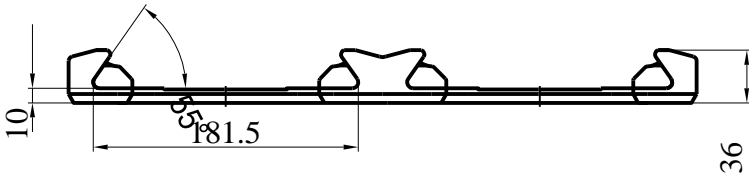


LOADS	SHEAR [KN]	TENSION [KN]
BREAKING LOAD	420	500
SAFE WORKING	210	250

TOTAL WEIGHT	3.1 KG
MATERIAL	CASTING STEEL
FINISH	SHOP PRIMER

DOVETAIL DOUBLE 55 DEGREE FOUNDATION

AE-B2



Welding recommendation

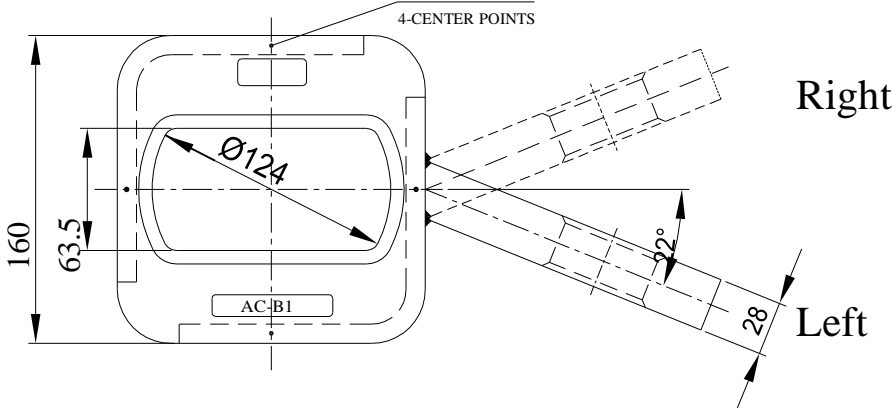
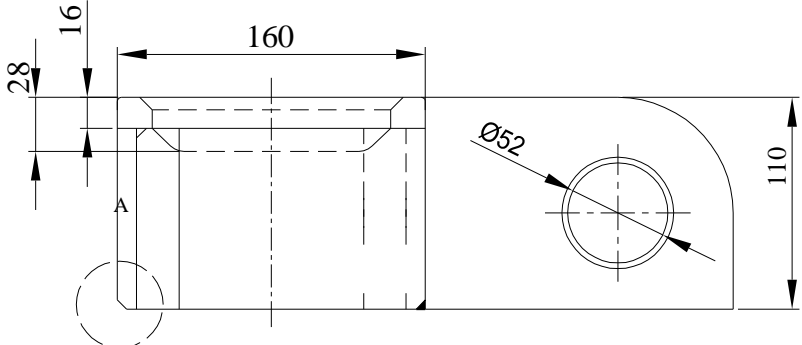


TYPE	Lc	L	Weight
AE-B2/203	203	418	6.2 KG
AE-B2/216	216	431	7.0 KG
AE-B2/258	258	473	7.8 KG

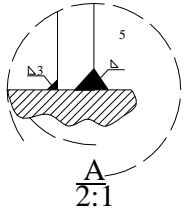
LOADS	SHEAR [KN]	TENSION
BREAKING LOAD	420	500
SAFE WORKING LOAD	210	250

LIFTING FOUNDATION WITH EYE (LEFT OR RIGHT)

AG-A1/L
AG-A1/R



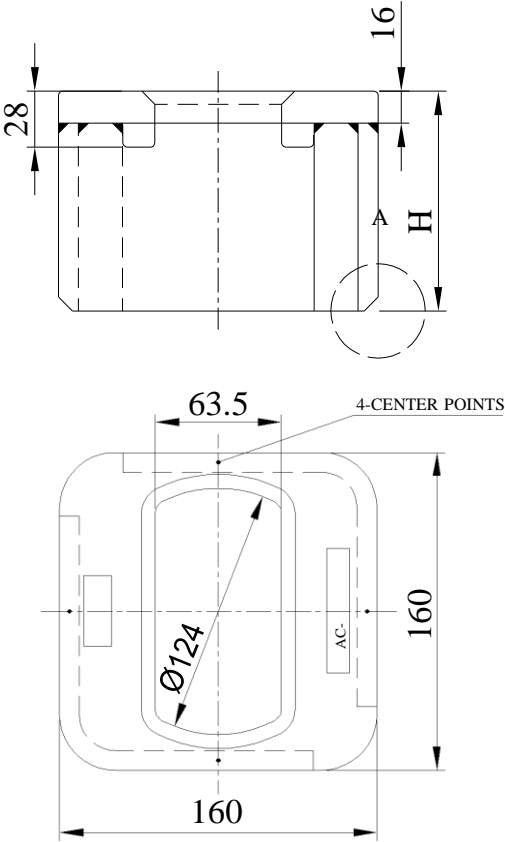
Welding recommendation



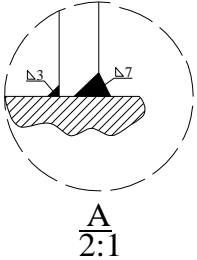
LOADS	SHEAR [KN]	TENSION [KN]
BREAKING LOAD	420	500
SAFE WORKING	210	250
TOTAL WEIGHT	10.0 KG	
MATERIAL	STRUCTURAL STEEL	
FINISH	SHOP PRIMER	

LIFTING FOUNDATION NO EYE

AG-A1



Welding recommendation

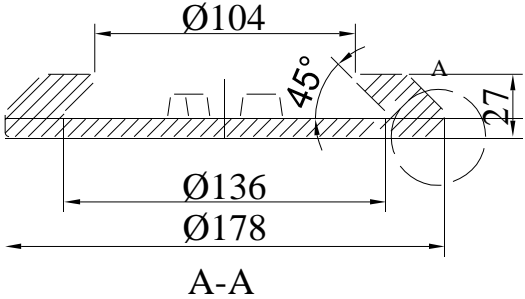
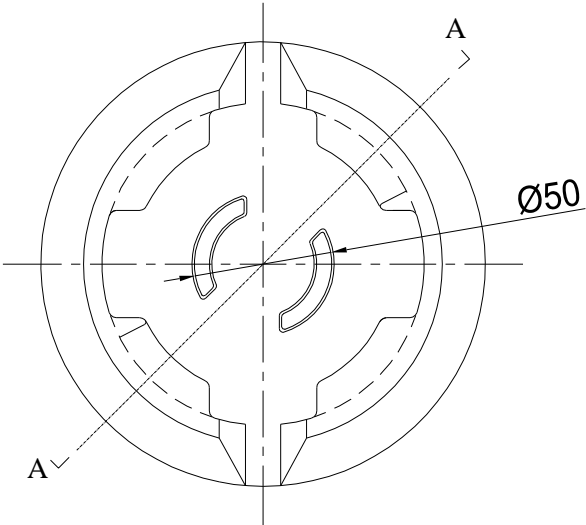


TYPE	H	Weight
AG-A1/110	110	6.0 KG
Other height upon request		

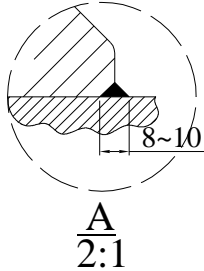
LOADS	SHEAR [KN]	TENSION [KN]
BREAKING LOAD	420	500
SAFE WORKING	210	250

BREECH BASE ROUND FOUNDATION

AH-A1



Welding recommendation

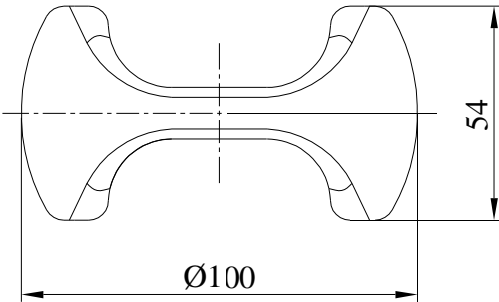
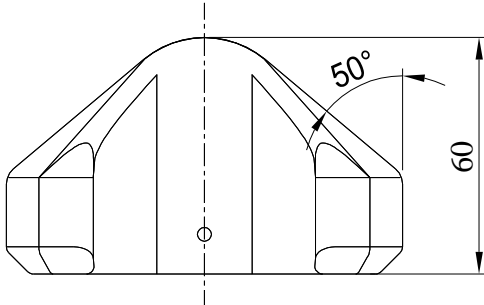


LOADS	SHEAR [KN]	TENSION [KN]
BREAKING LOAD	420	500
SAFE WORKING	210	250

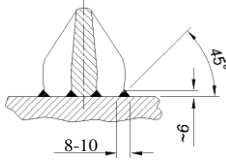
TOTAL WEIGHT	2.8 KG
MATERIAL	CASTING STEEL
FINISH	SHOP PRIMER

WELDABLE CONE

AJ-A1



Welding recommendation

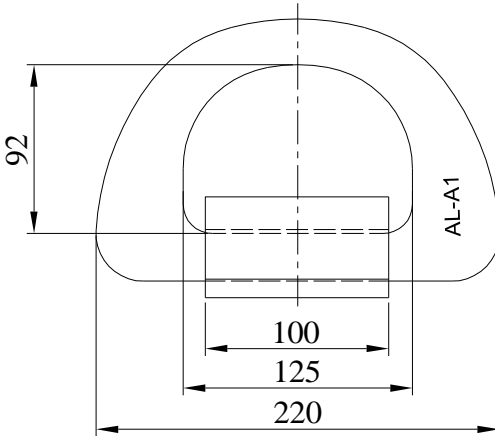
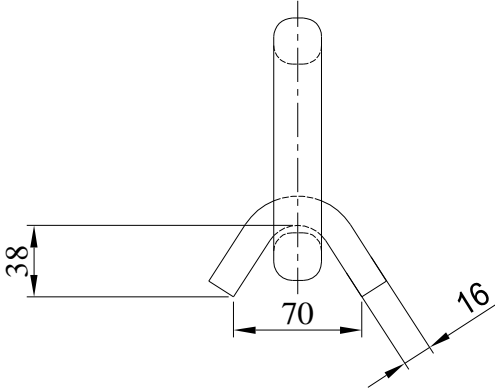


LOADS	SHEAR [KN]	TENSION [KN]
BREAKING LOAD	420	-
SAFE WORKING	210	-

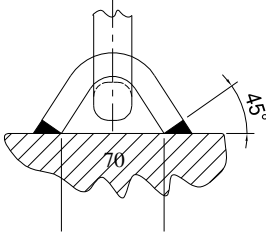
TOTAL WEIGHT	0.87 KG
MATERIAL	FORGED STEEL
FINISH	SHOP PRIMER

D-RING 50 TONS

AL-A1



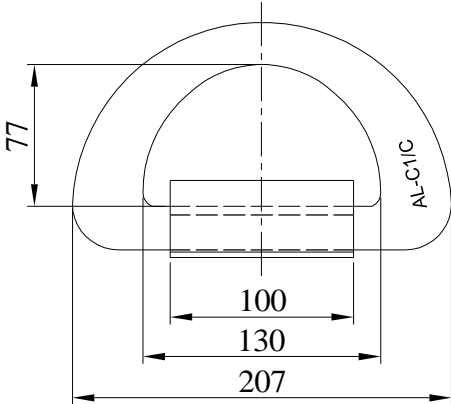
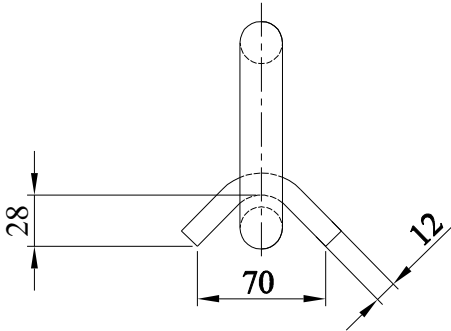
Welding recommendation



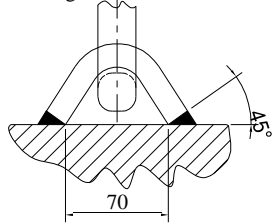
LOADS	SHEAR [KN]	TENSION [KN]
BREAKING LOAD	-	500
SAFE WORKING		
TOTAL WEIGHT	4.6 KG	
MATERIAL	FORGED STEEL	
FINISH	HOT DIP GALVANISED	

D-RING 36 TONS

AL-C1



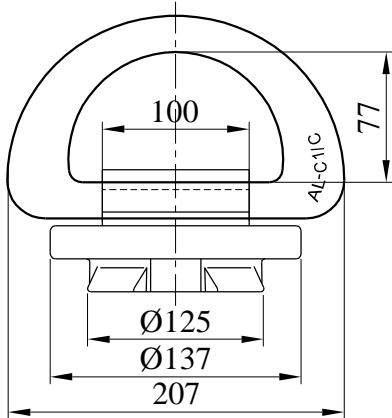
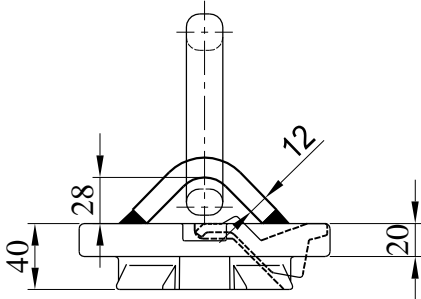
Welding recommendation



LOADS	SHEAR [KN]	TENSION [KN]
BREAKING LOAD	-	360
SAFE WORKING	-	180
TOTAL WEIGHT	2.7 KG	
MATERIAL	FORGED STEEL	
FINISH	HOT DIP GALVANISED	

D-RING 36 TONS BREECH BASE

AL-J1/36

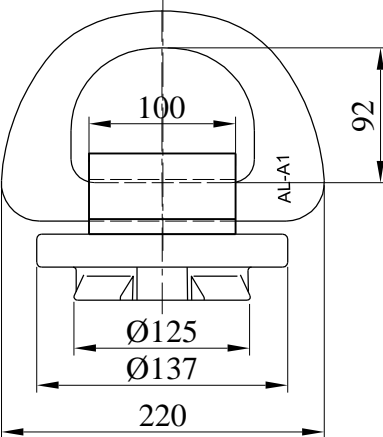
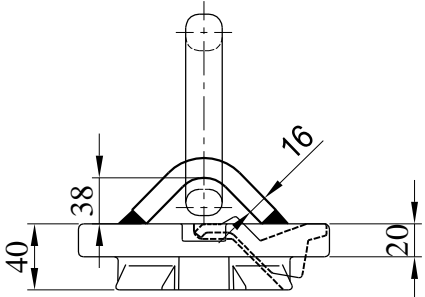


LOADS	SHEAR [KN]	TENSION [KN]
BREAKING LOAD	-	360
SAFE WORKING LOAD	-	180

TOTAL WEIGHT	6.4 KG
MATERIAL	FORGED STEEL
FINISH	SHOP PRIMER

D-RING 50 TONS BREECH BASE

AL-J1/50

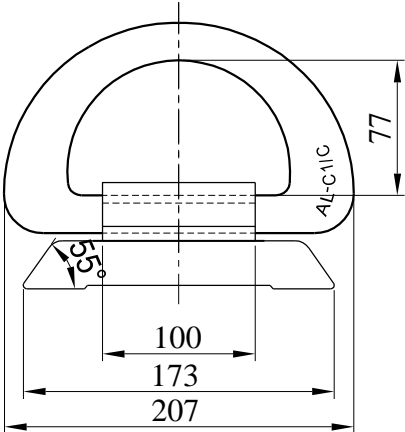
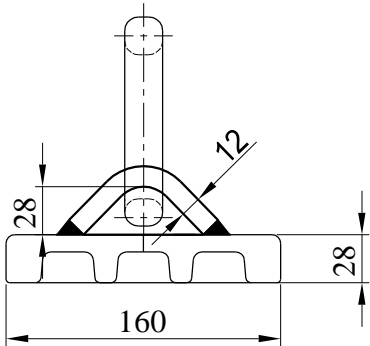


LOADS	SHEAR [KN]	TENSION [KN]
BREAKING LOAD	-	500
SAFE WORKING LOAD	-	250

TOTAL WEIGHT	8.3 KG
MATERIAL	FORGED STEEL
FINISH	SHOP PRIMER

D-RING 36 TONS DOVETAIL 55 DEGREE BASE

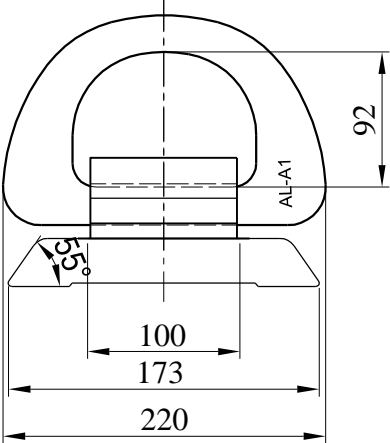
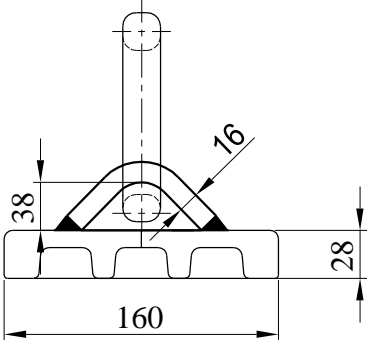
AL-K1/36



LOADS	SHEAR [KN]	TENSION [KN]
BREAKING LOAD	-	360
SAFE WORKING LOAD	-	180
TOTAL WEIGHT	7.2 KG	
MATERIAL	FORGED STEEL	
FINISH	SHOP PRIMER	

D-RING 50 TONS DOVETAIL 55 DEGREE BASE

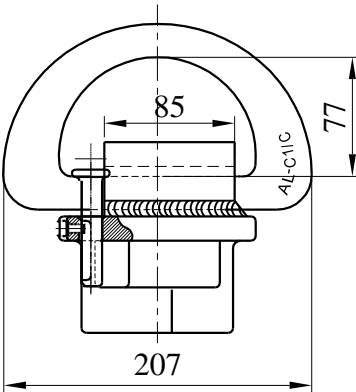
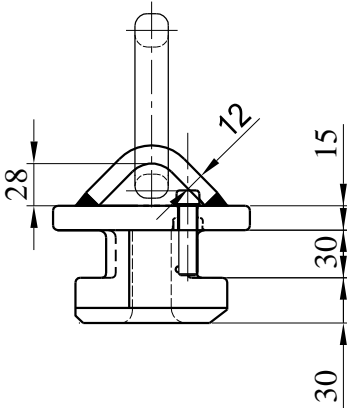
AL-K1/50



LOADS	SHEAR [KN]	TENSION
BREAKING LOAD	-	500
SAFE WORKING	-	250
MATERIAL	FORGED STEEL	
FINISH	SHOP PRIMER	

D-RING 36 TONS ISO HOLE BASE

AL-L1/36

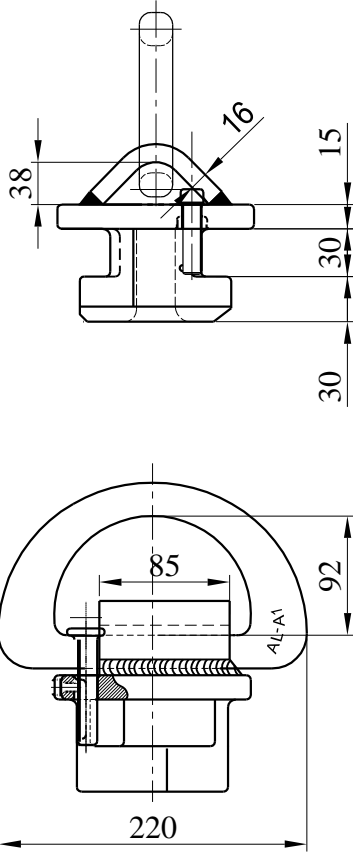


LOADS	SHEAR [KN]	TENSION [KN]
BREAKING LOAD	-	360
SAFE WORKING LOAD	-	180

TOTAL WEIGHT	6.2 KG
MATERIAL	FORGED STEEL
FINISH	SHOP PRIMER

D-RING 50 TONS ISO HOLE BASE

AL-L1/50

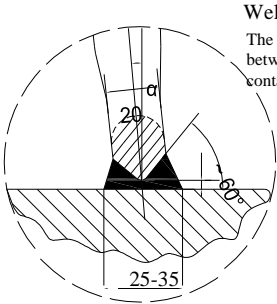
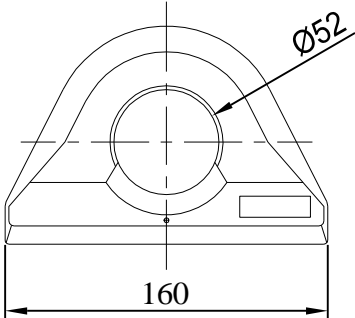
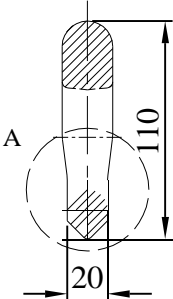


LOADS	SHEAR [KN]	TENSION [KN]
BREAKING LOAD	-	500
SAFE WORKING LOAD	-	250

TOTAL WEIGHT	7.0 KG
MATERIAL	FORGED STEEL
FINISH	SHOP PRIMER

LASHING EYE FOR TURNBUCKLES SINGLE

AM-A1



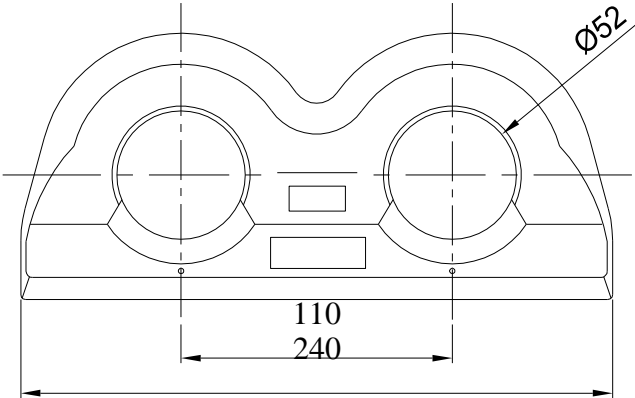
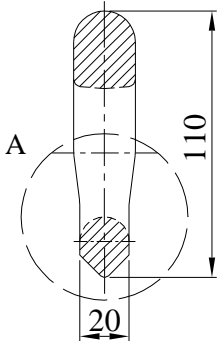
Welding recommendation
 The angle α depends on the distance between the lashing plate and the container front.

LOADS	SHEAR [KN]	TENSION [KN]
BREAKING LOAD	-	500
SAFE WORKING	-	250

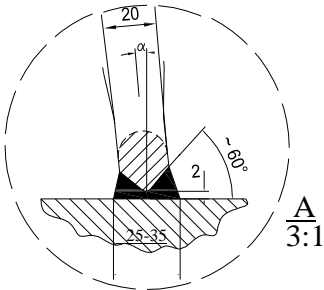
TOTAL WEIGHT	1.74 KG
MATERIAL	FORGED STEEL
FINISH	SHOP PRIMER

LASHING EYE FOR TURNBUCKLES DOUBLE

AM-A2



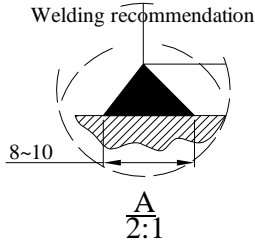
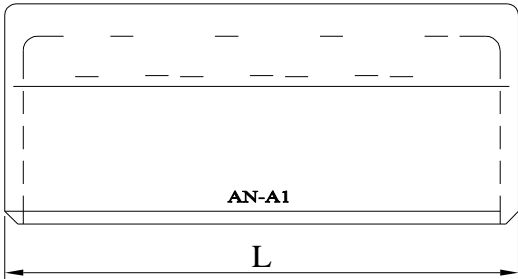
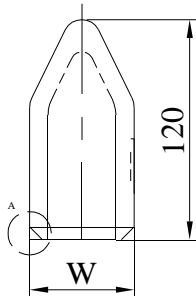
Welding recommendation
 The angle α depends on the distance between the lashing plate and the container front.



LOADS	SHEAR [KN]	TENSION [KN]
BREAKING LOAD	-	500
SAFE WORKING	-	250
TOTAL WEIGHT	2.87 KG	
MATERIAL	FORGED STEEL	
FINISH	SHOP PRIMER	

TANK TOP GUIDE FITTING COUNTER BEARING

AN-A1

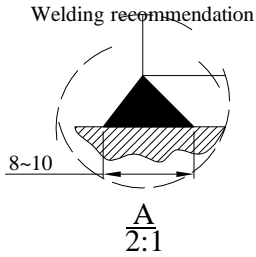
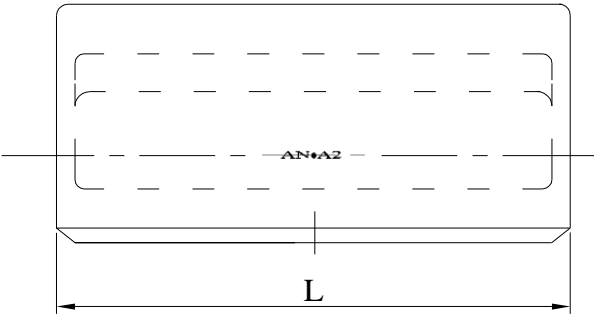
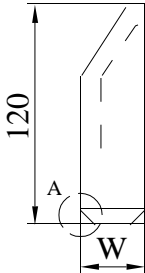


TYPE	L	W	Weight
AN-A1/140	140	50	3.4 KG
AN-A1/280	280	50	6.7 KG

LOADS	SHEAR [KN]	TENSION [KN]
BREAKING LOAD	420	-
SAFE WORKING	210	-

TANK TOP GUIDE FITTING COUNTER BEARING HALF

AN-A2

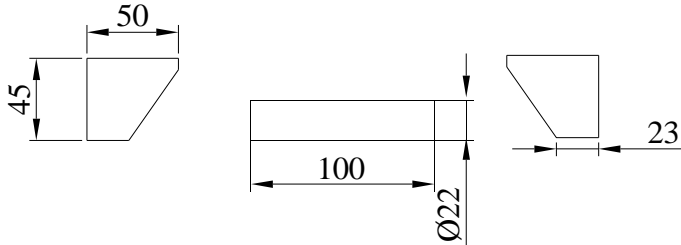
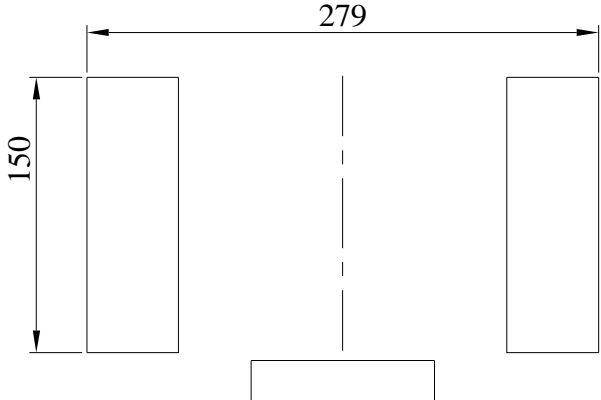


TYPE	L	W	Weight
AN-A2/140	140	35	3.2 KG
AN-A2/280	280	35	6.4 KG

LOADS	SHEAR [KN]	TENSION [KN]
BREAKING LOAD	420	-
SAFE WORKING	210	-

BULKHEAD COUNTER BEARING TENSION PRESSURE

AP-A1

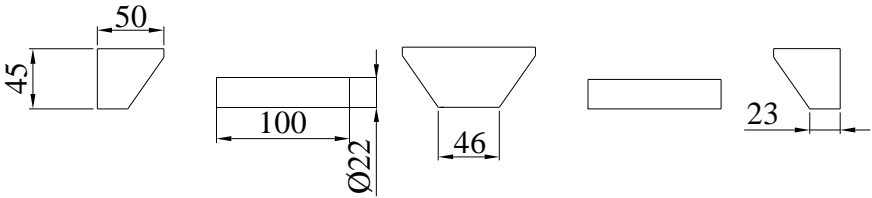
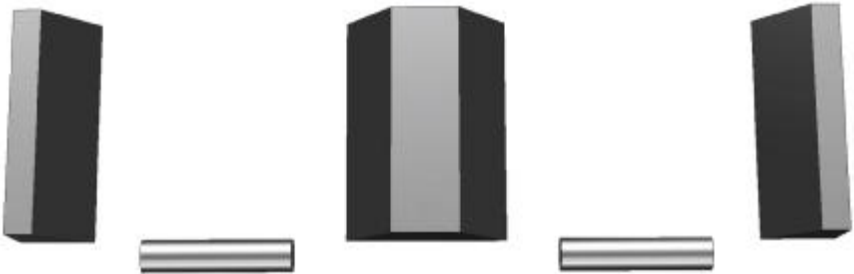
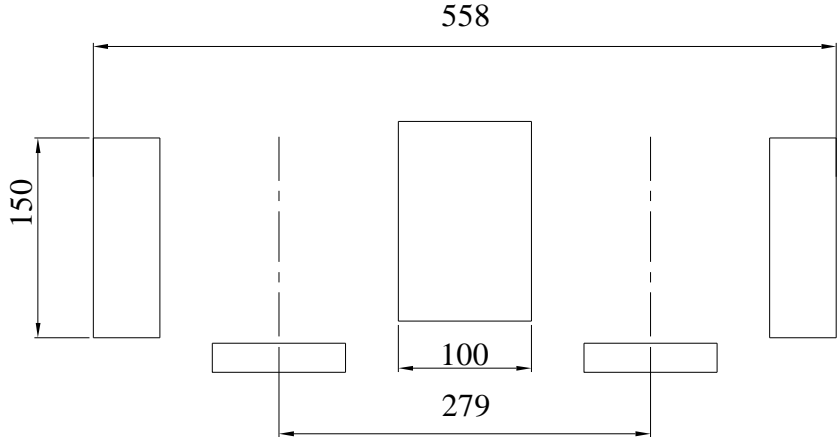


LOADS	SHEAR [KN]	TENSION [KN]
BREAKING LOAD	-	850
SAFE WORKING	-	425

TOTAL WEIGHT	4.37 KG
MATERIAL	STRUCTURAL STEEL
FINISH	PAINTED

BULKHEAD COUNTER BEARING TENSION PRESSURE

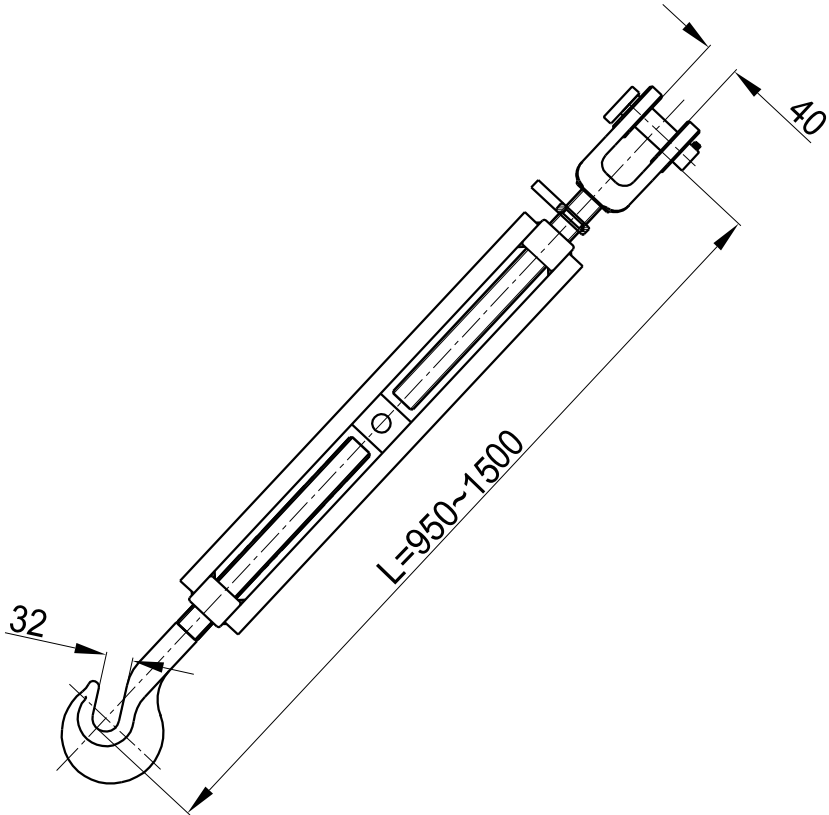
AP-A2



LOADS	SHEAR [KN]	TENSION [KN]
BREAKING LOAD	-	850
SAFE WORKING	-	425
TOTAL WEIGHT	8.7 KG	
MATERIAL	STRUCTURAL STEEL	
FINISH	PAINTED	

TURNBUCKLE HOOK TO JAW

BA-A1

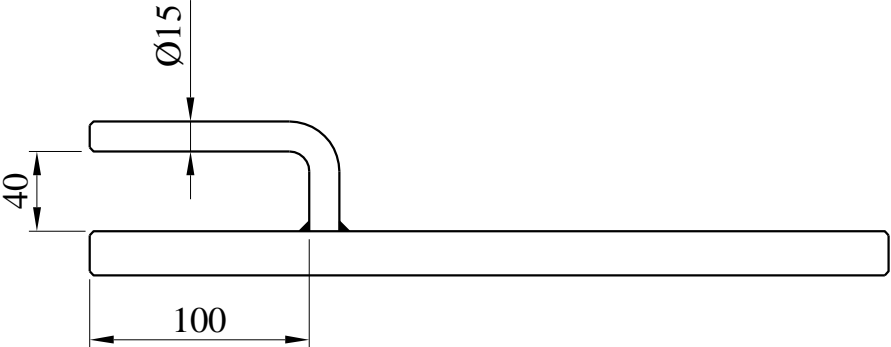


TOTAL WEIGHT	13.5 KG
MATERIAL	STEEL
FINISH	HOT DIP GALVANISED

LOADS	SHEAR [KN]	TENSION [KN]
BREAKING LOAD	-	500
SAFE WORKING LOAD	-	250

TURNBUCKLE HOOK TO JAW SPANNER

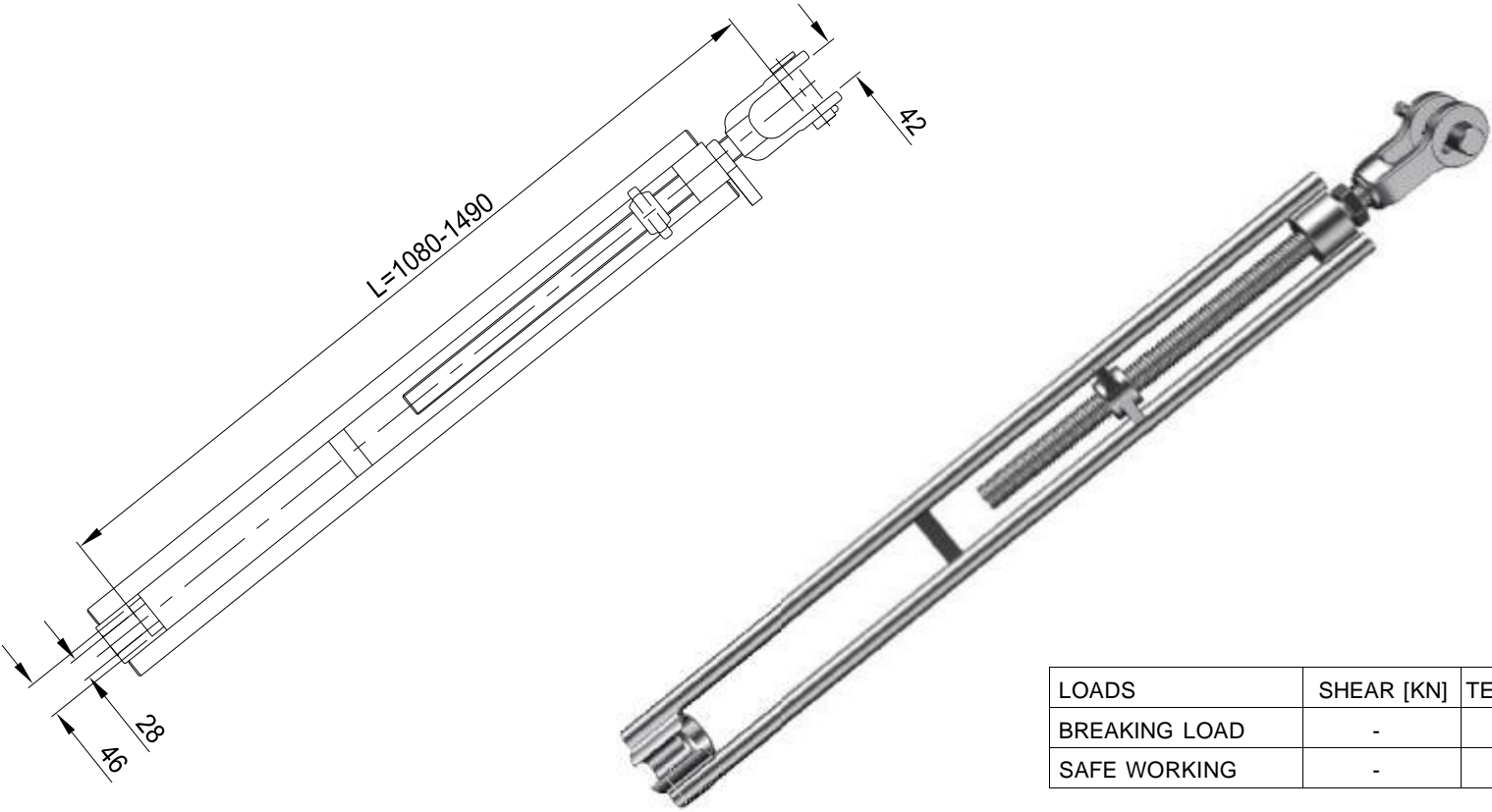
BA-A1/C/OT



TOTAL WEIGHT	1.4 KG
MATERIAL	ROUND STEEL
FINISH	HOT DIP GALVANISED

TURNBUCKLE KNOB TYPE

BA-K1

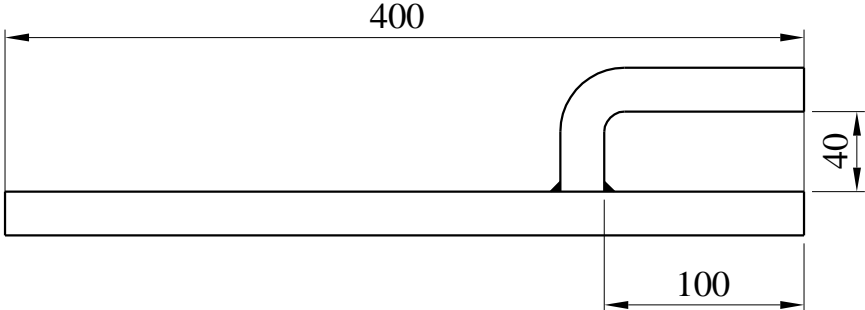


LOADS	SHEAR [KN]	TENSION [KN]
BREAKING LOAD	-	500
SAFE WORKING	-	250

TOTAL WEIGHT	13.5 KG
MATERIAL	HEAT TREATABLE STEEL
FINISH	HOT DIP GALVANISED

TURNBUCKLE KNOB TYPE SPANNER

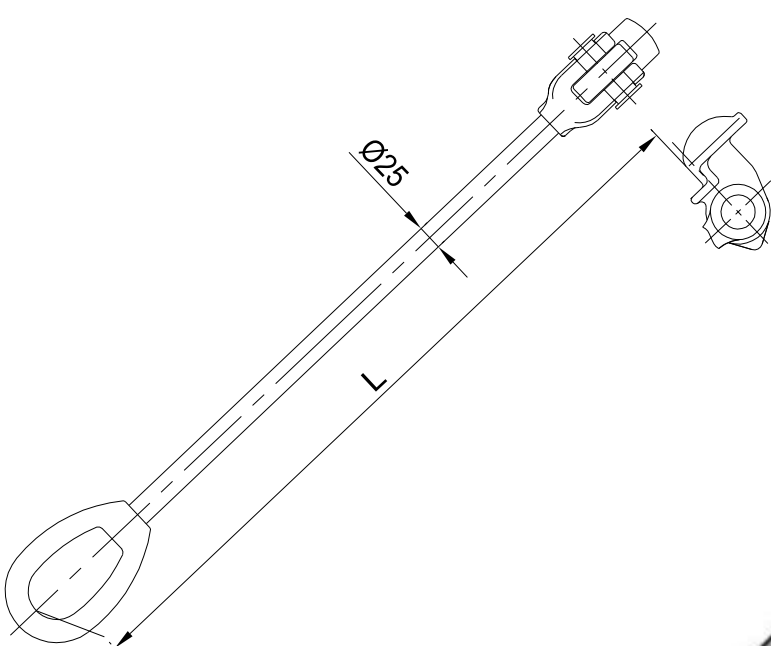
BA-K1/OT



TOTAL WEIGHT	2.0 KG
MATERIAL	FORGED STEEL
FINISH	HOT DIP GALVANISED

LASHING BAR EYE TO SWIVEL HEAD PLUG

BB-B1

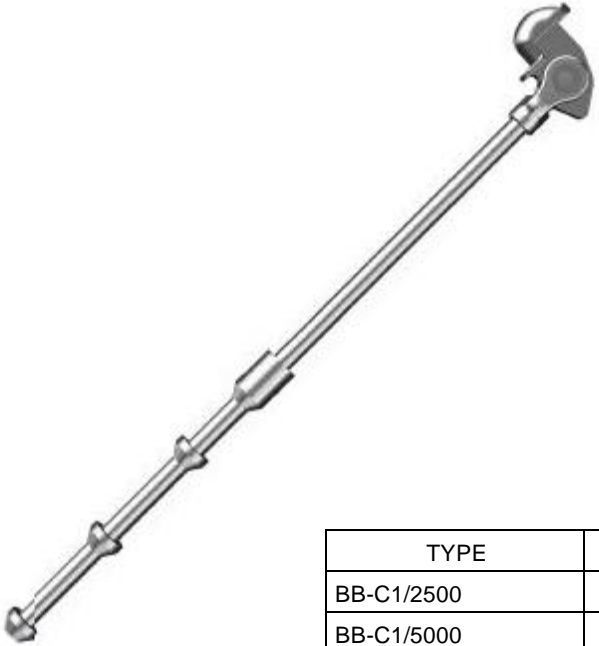
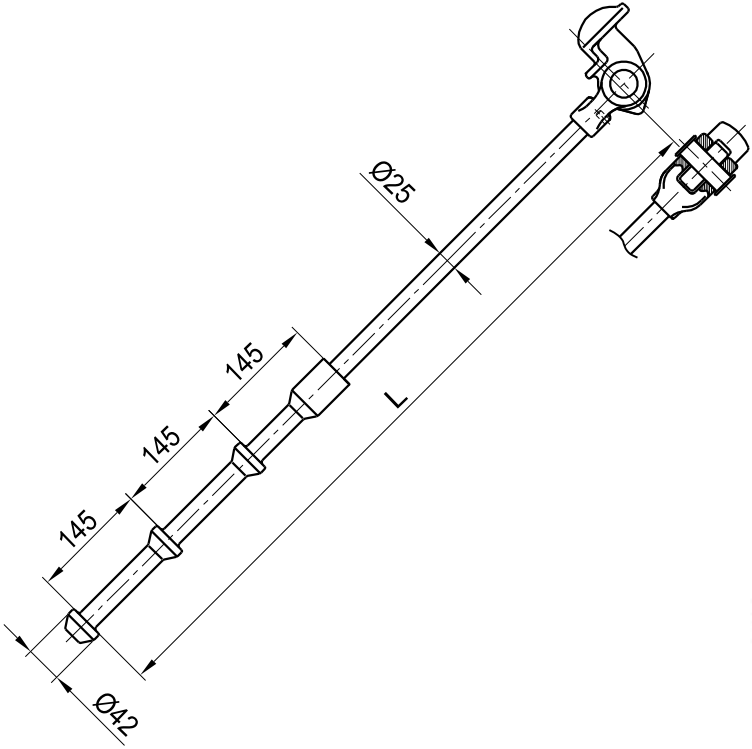


Type	L	Weight
BB-B1/2400	2400	11.9 KG
BB-B1/4700	4700	21.7 KG
Other lengths upon request		

LOADS	SHEAR [KN]	TENSION [KN]
BREAKING LOAD	-	500
SAFE WORKING LOAD	-	250

LASHING BAR KNOB TYPE

BB-C1

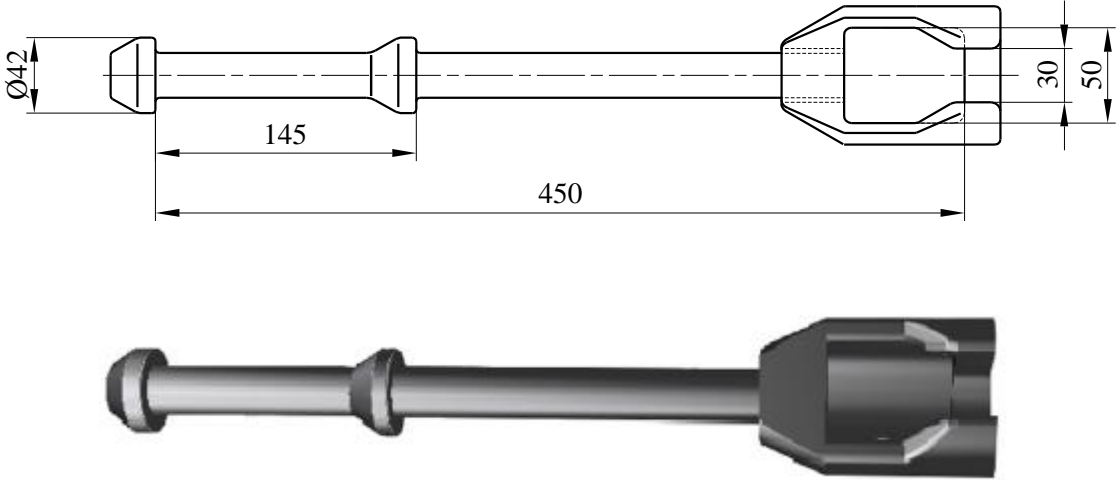


TYPE	L	Weight
BB-C1/2500	2500	12.9 KG
BB-C1/5000	5000	22.6 KG
Other lengths upon request		

LOADS	SHEAR [KN]	TENSION
BREAKING LOAD	-	500
SAFE WORKING LOAD	-	250

LASHING BAR EXTENSION KNOB TYPE

BB-D1

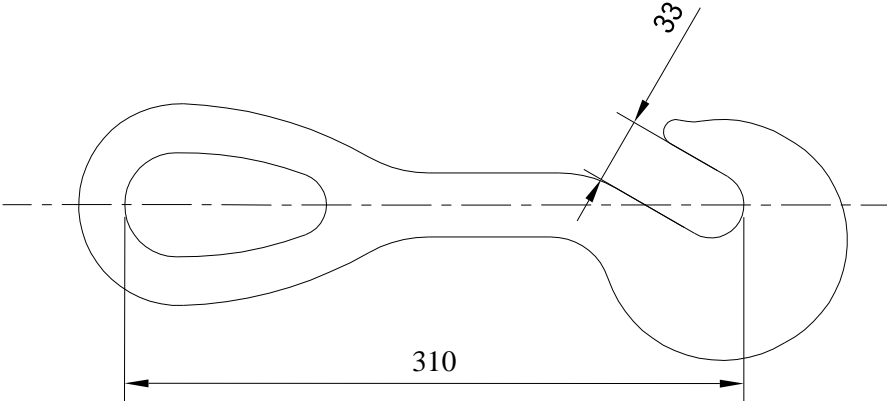


LOADS	SHEAR [KN]	TENSION [KN]
BREAKING LOAD	-	500
SAFE WORKING LOAD	-	250

TOTAL WEIGHT	4.0 KG
MATERIAL	HEAT TREATABLE STEEL
FINISH	HOT DIP GALVANISED

LASHING BAR EXTENSION EYE TO PLUG TYPE

BB-E1

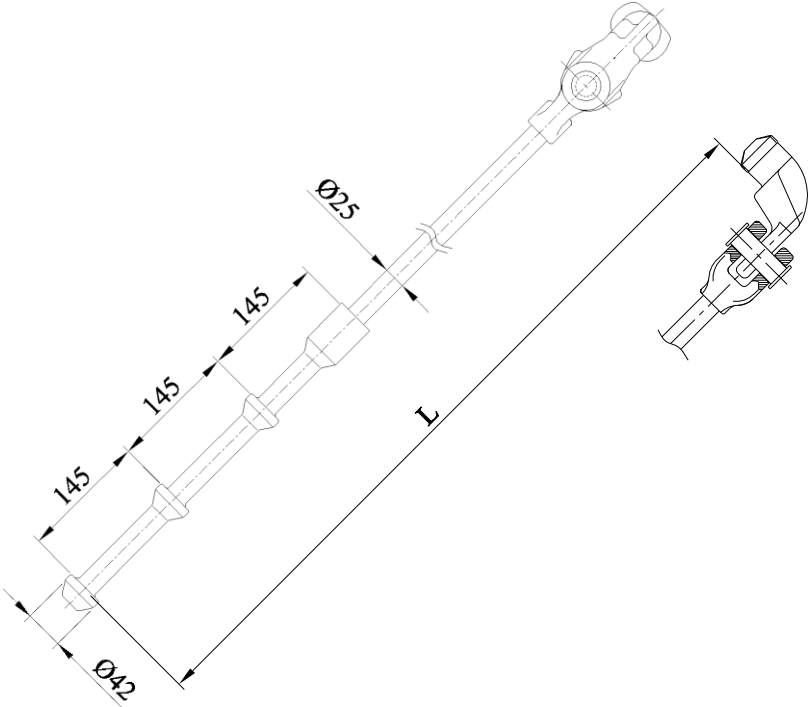


LOADS	SHEAR [KN]	TENSION [KN]
BREAKING LOAD	-	500
SAFE WORKING	-	250

TOTAL WEIGHT	3.9 KG
MATERIAL	HEAT TREATABLE STEEL
FINISH	HOT DIP GALVANISED

LASHING BAR VERTICAL TYPE

BB-F1

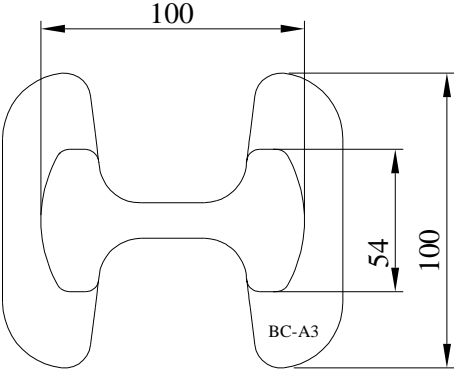
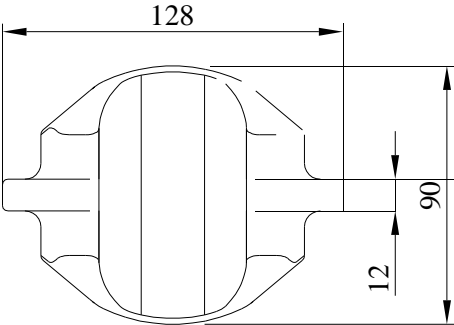


TYPE	L	Weight
BB-F1/1680	1680	10.5 KG
BB-F1/4430	4430	19.3 KG
Other lengths upon request		

LOADS	SHEAR [KN]	TENSION [KN]
BREAKING LOAD	-	360
SAFE WORKING	-	180

SINGLE STACKING CONE NON HANGING

BC-A3

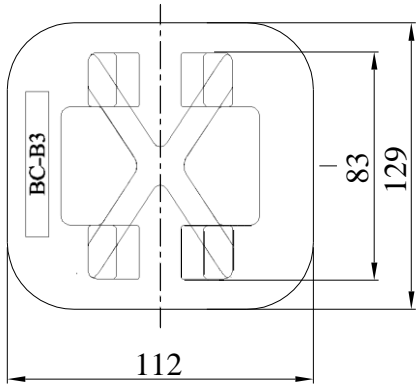
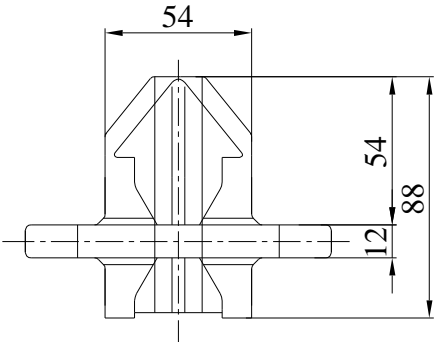


LOADS	SHEAR [KN]	TENSION [KN]
BREAKING LOAD	420	-
SAFE WORKING LOAD	210	-

TOTAL WEIGHT	2.2 KG
MATERIAL	FORGED STEEL
FINISH	HOT DIP GALVANISED

SINGLE STACKING CONE BOTTOM NON HANGING

BC-B3

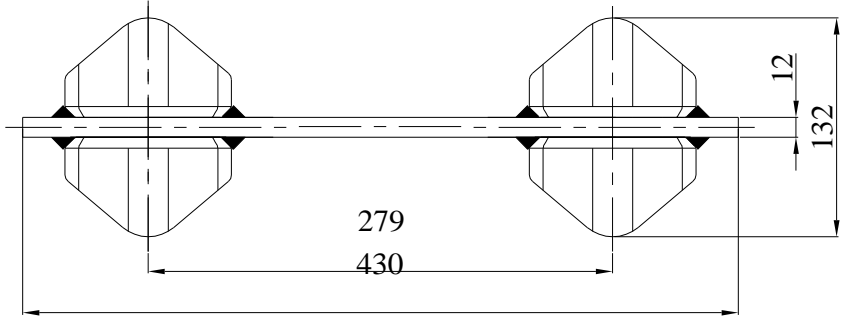


LOADS	SHEAR [KN]	TENSION [KN]
BREAKING LOAD	420	-
SAFE WORKING	210	-

TOTAL WEIGHT	2.0 KG
MATERIAL	CASTING STEEL
FINISH	HOT DIP GALVANISED

DOUBLE STACKING CONE TRANSVERSAL

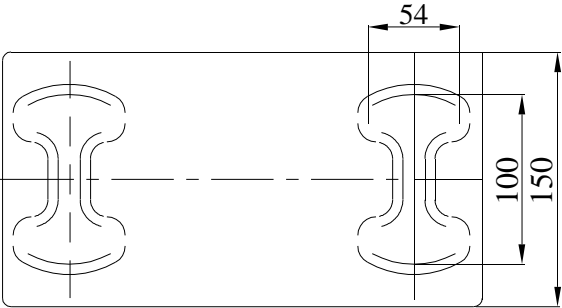
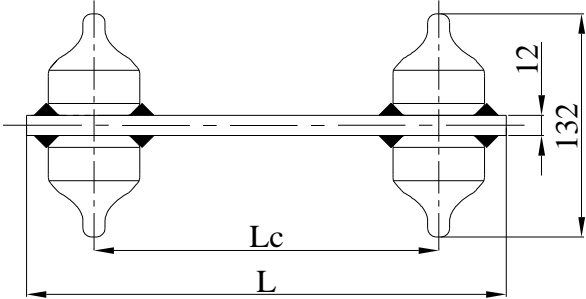
BC-C1/279



LOADS	SHEAR [KN]	TENSION [KN]
BREAKING LOAD	420	-
SAFE WORKING LOAD	210	-
TOTAL WEIGHT	8.6 KG	
MATERIAL	FORGED STEEL	
FINISH	HOT DIP GALVANISED	

DOUBLE STACKING CONE

BC-C1

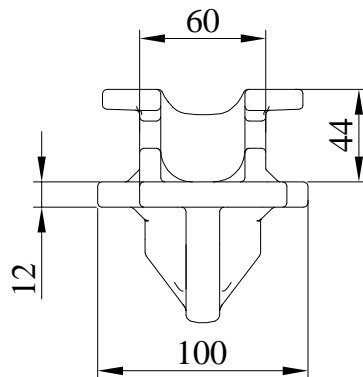
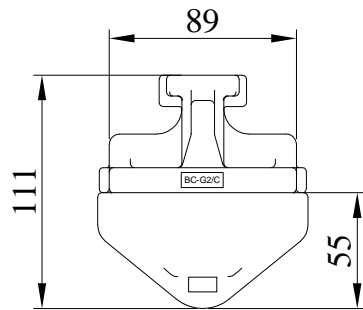


TYPE	Lc	L	Weight
BC-C1/203	203	291	7.5 KG
BC-C1/216	216	304	7.7 KG
BC-C1/258	258	346	8.5 KG

LOADS	SHEAR [KN]	TENSION [KN]
BREAKING LOAD	420	-
SAFE WORKING LOAD	210	-

Single Stacking Cone Hanging with Flange

BC-G2/C

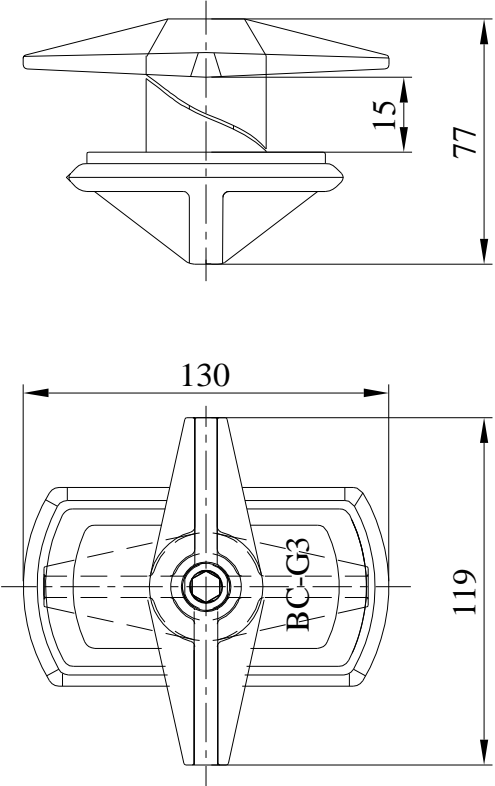


LOADS	SHEAR [KN]	TENSION [KN]
BREAKING LOAD	420	-
SAFE WORKING LOAD	210	-

TOTAL WEIGHT	1.98 KG
MATERIAL	CASTING STEEL
FINISH	HOT DIP GALVANISED

SINGLE STACKING CONE HANGING NO FLANGE

BC-G3

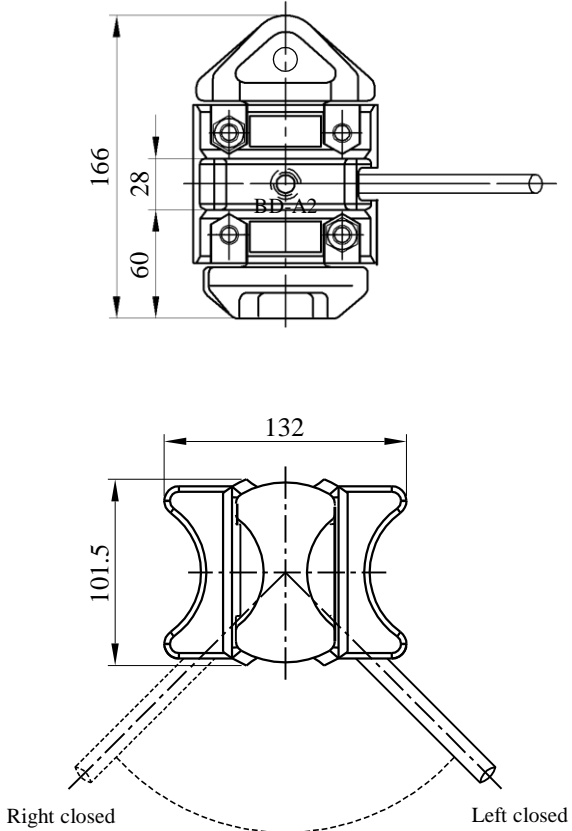


LOADS	SHEAR [KN]	TENSION [KN]
BREAKING LOAD	420	-
SAFE WORKING	210	-

TOTAL WEIGHT	1.4 KG
MATERIAL	CASTING STEEL
FINISH	HOT DIP GALVANISED

TWISTLOCK MANUAL LEFT (OR RIGHT) LOCKING

BD-A2/L
BD-A2/R

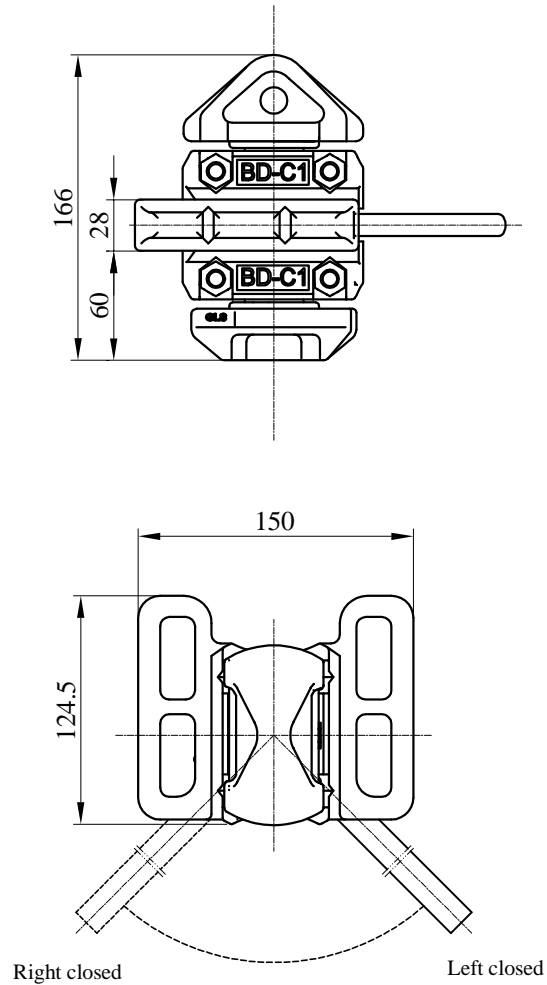


LOADS	SHEAR [KN]	TENSION [KN]
BREAKING LOAD	420	500
SAFE WORKING LOAD	210	250

TOTAL WEIGHT	4.5 KG
MATERIAL	FORGED STEEL
FINISH	HOT DIP GALVANISED

Twistlock Manual Large Flange Left (or Right) Locking

BD-C1/L
BD-C1/R

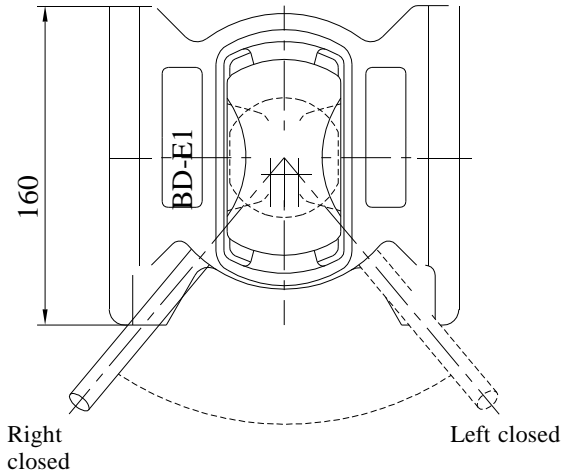
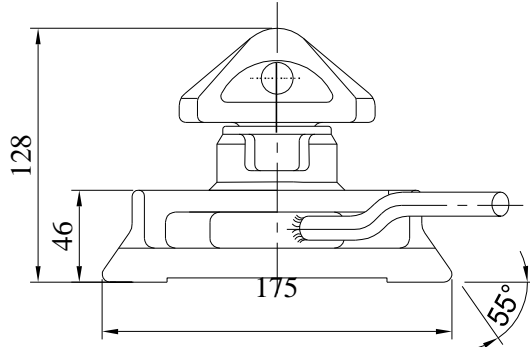


LOADS	SHEAR [KN]	TENSION [KN]
BREAKING LOAD	420	500
SAFE WORKING LOAD	210	250

TOTAL WEIGHT	5.03 KG
MATERIAL	FORGED STEEL
FINISH	HOT DIP GALVANISED

TWISTLOCK DOVETAIL 55° LEFT LOCKING

BD-E1/L

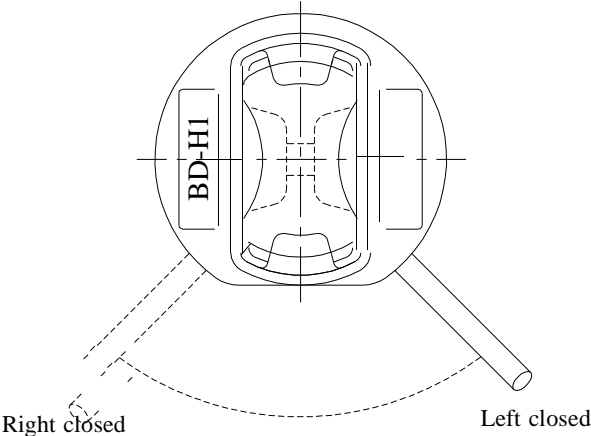
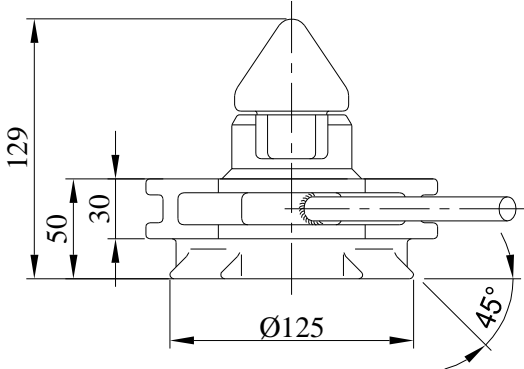


LOADS	SHEAR [KN]	TENSION [KN]
BREAKING LOAD	420	500
SAFE WORKING	210	250

TOTAL WEIGHT	6.4 KG
MATERIAL	HEAT TREATABLE STEEL
FINISH	HOT DIP GALVANISED

TWISTLOCK BREECH ROUND BASE

BD-H1/L

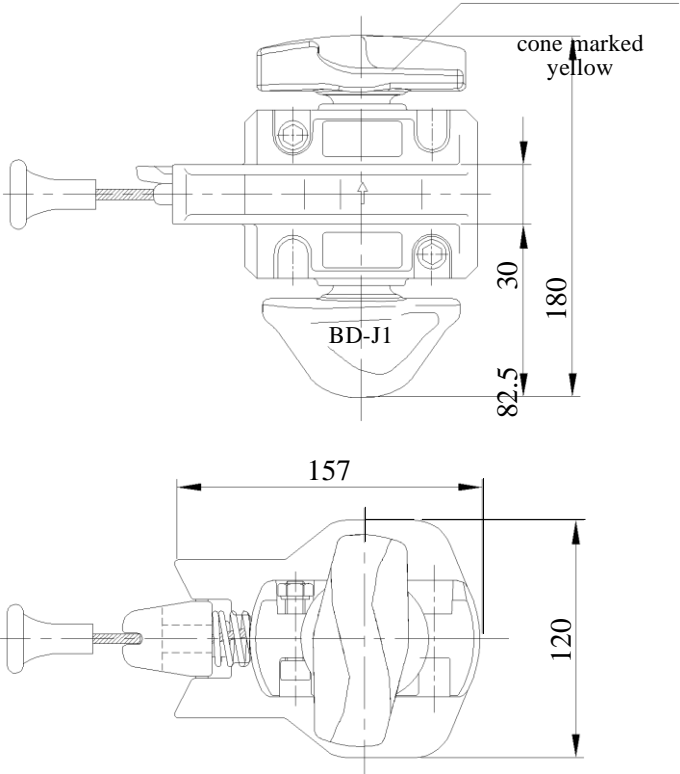


LOADS	SHEAR [KN]	TENSION [KN]
BREAKING LOAD	420	500
SAFE WORKING	210	250

TOTAL WEIGHT	5.5 KG
MATERIAL	HEAT TREATABLE STEEL
FINISH	HOT DIP GALVANISED

TWISTLOCK SEMI-AUTOMATIC ONE WIRE

BD-J1

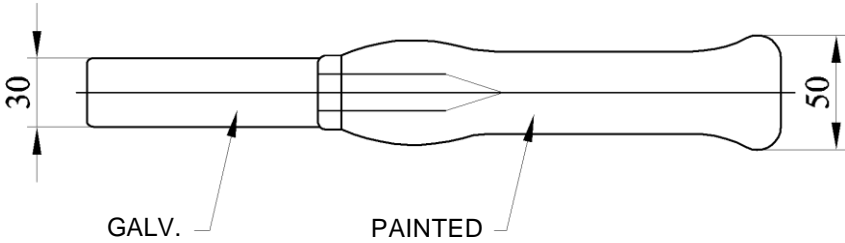
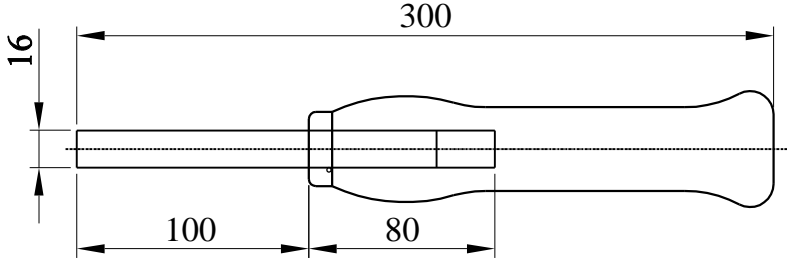


LOADS	SHEAR [KN]	TENSION [KN]
BREAKING LOAD	420	500
SAFE WORKING	210	250

TOTAL WEIGHT	4.9 KG
MATERIAL	FORGED STEEL
FINISH	HOT DIP GALVANISED

TWISTLOCK SEMI AUTOMATIC 1 WIRE EMERGENCY TOOL

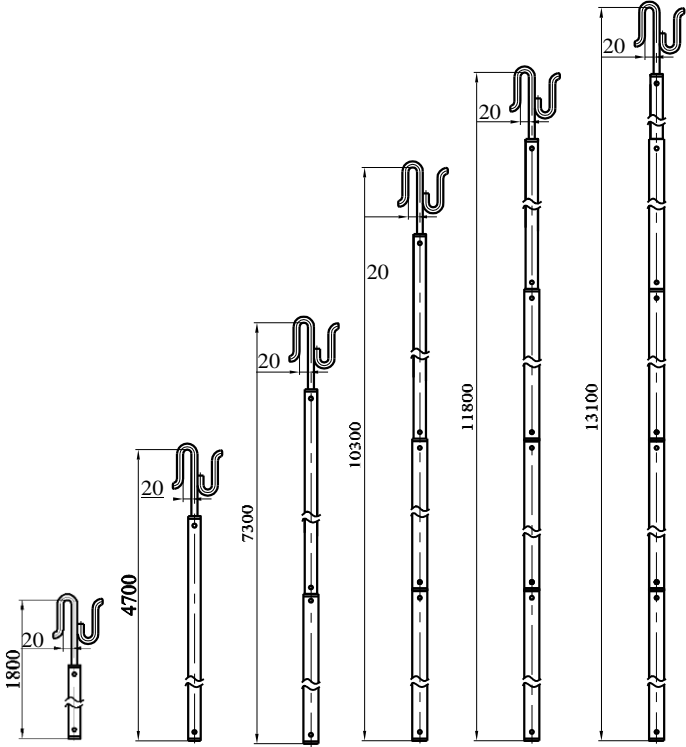
BD-J1/MT



TOTAL WEIGHT	0.54 KG
MATERIAL	-
FINISH	-

TWISTLOCKS SEMI AUTOMATIC OPERATING ROD

BD-J1/OT

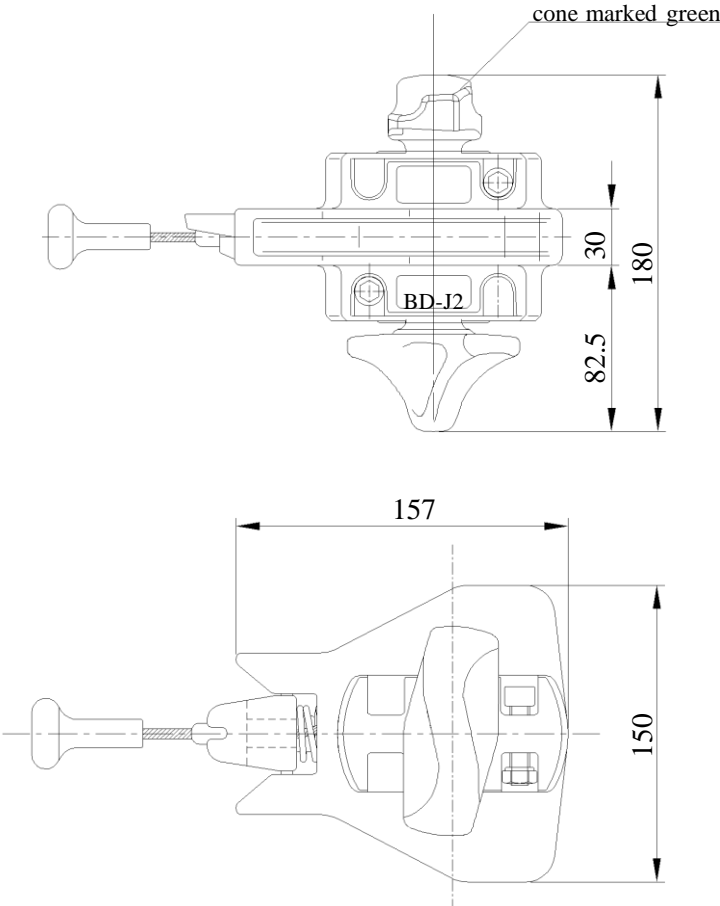


TYPE	APPLICATIO	Weight
BD-J1/OT/13100	Between 6/7 tier	8.23 KG
BD-J1/OT/11800	Between 5/6 tier	6.93 KG
BD-J1/OT/10300	Between 4/5 tier	5.63 KG
BD-J1/OT/7300	Between 3/4 tier	3.73 KG
BD-J1/OT/4700	Between 2/3 tier	2.30 KG
BD-J1/OT/1800	Between 1/2 tier	1.13 KG
Other lengths are customizable		

MATERIAL	ALUMINIUM
FINISH	-

TWISTLOCK SEMI-AUTOMATIC ONE WIRE LARGE FLANGE

BD-J2

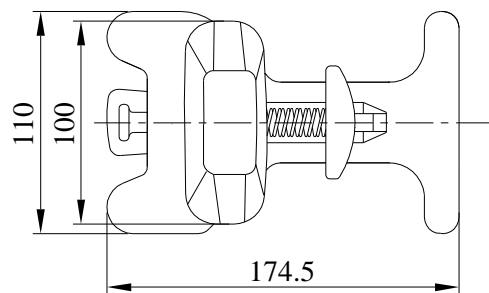
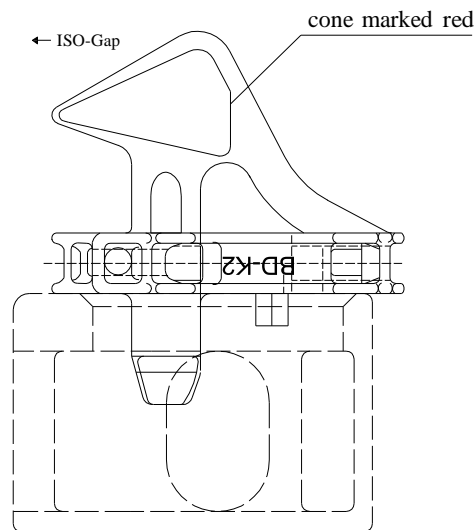
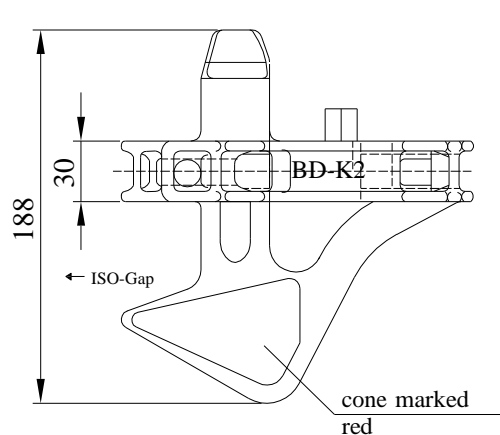


LOADS	SHEAR [KN]	TENSION [KN]
BREAKING LOAD	420	500
SAFE WORKING LOAD	210	250

TOTAL WEIGHT	5.45 KG
MATERIAL	FORGED STEEL
FINISH	HOT DIP GALVANISED

TWISTLOCK MIDLOCK - AUTOMATIC FIXING CONE

BD-K2

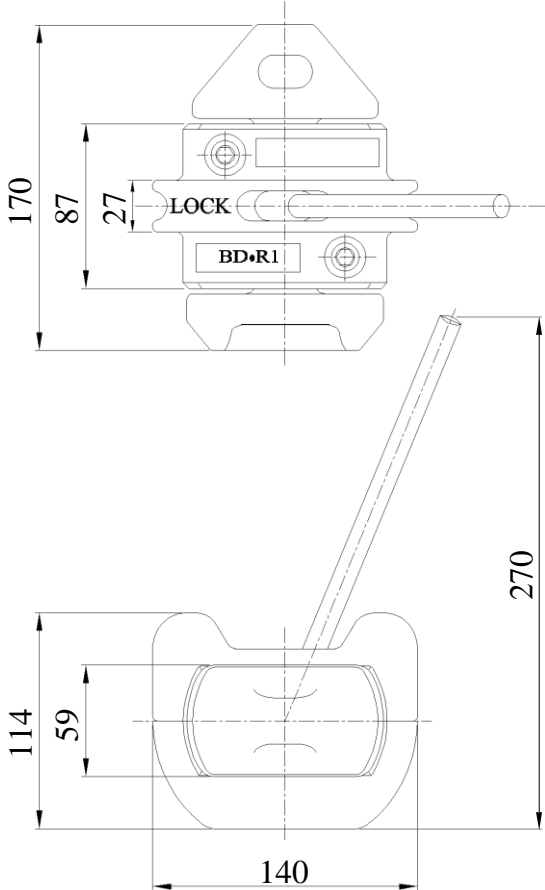


LOADS	SHEAR [KN]	TENSION [KN]
BREAKING LOAD	420	500
SAFE WORKING	210	250

TOTAL WEIGHT	4.5 KG
MATERIAL	CASTING STEEL
FINISH	HOT DIP GALVANISED

TWISTLOCK RAILROAD AAR APPROVED

BD-R1

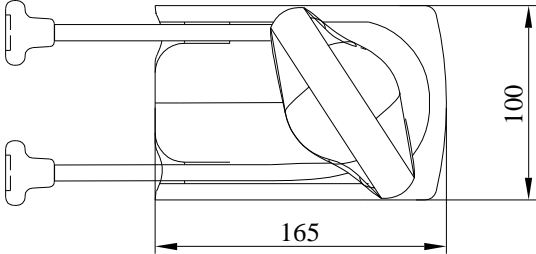
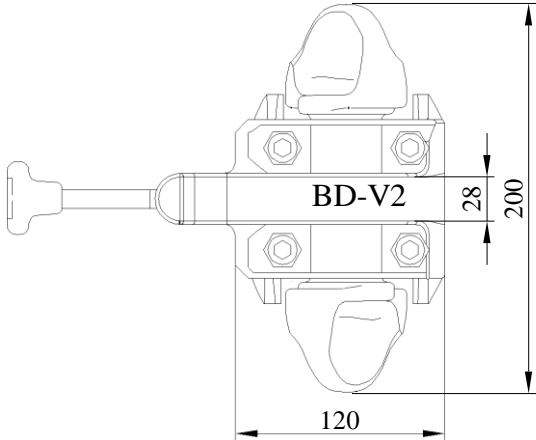


LOADS	SHEAR [KN]	TENSION [KN]
BREAKING LOAD	420	500
SAFE WORKING	210	250

TOTAL WEIGHT	5.4 KG
MATERIAL	FORGED STEEL
FINISH	HOT DIP GALVANISED

TWISTLOCK SEMI-AUTOMATIC TWO WIRE

BD-V2

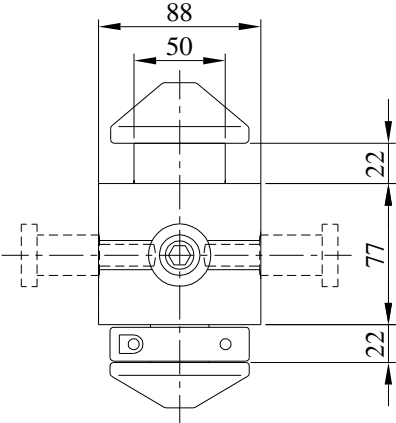
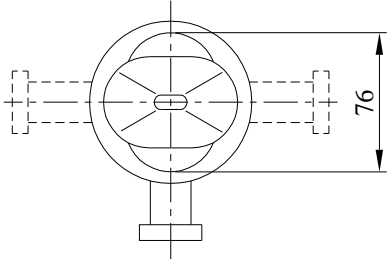


LOADS	SHEAR [KN]	TENSION [KN]
BREAKING LOAD	420	500
SAFE WORKING	210	250

TOTAL WEIGHT	5.1 KG
MATERIAL	FORGED STEEL
FINISH	HOT DIP GALVANISED

TWISTLOCK HORIZONTAL

BH-A1

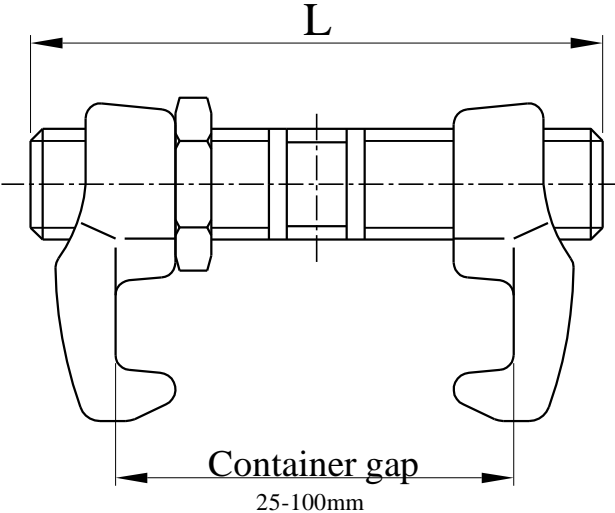


LOADS	SHEAR [KN]	TENSION [KN]
BREAKING LOAD	-	200
SAFE WORKING	-	100

TOTAL WEIGHT	4.8 KG
MATERIAL	CASTING STEEL
FINISH	HOT DIP GALVANISED

BRIDGE FITTING TENSION ONLY

BE-A1

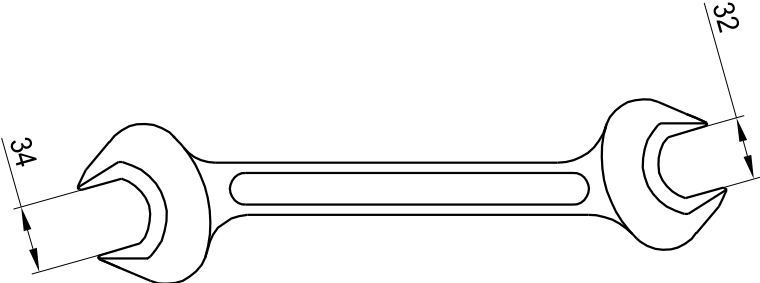


TYPE	L	Weight
BE-A1/260	260	3.0 KG
BE-A1/380	380	3.6 KG

LOADS	SHEAR [KN]	TENSION
BREAKING LOAD	-	100
SAFE WORKING	-	50

BRIDGEFITTING TENSION ONLY SPANNER

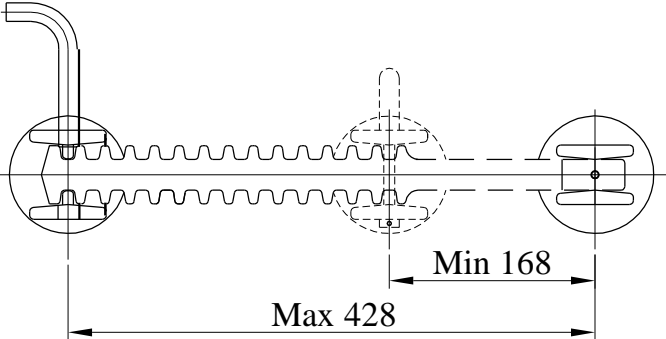
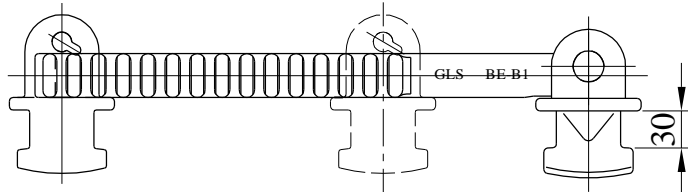
BE-A1/OT



TOTAL WEIGHT	0.67 KG
MATERIAL	-
FINISH	-

BRIDGE FITTING TENSION PRESSURE

BE-B1

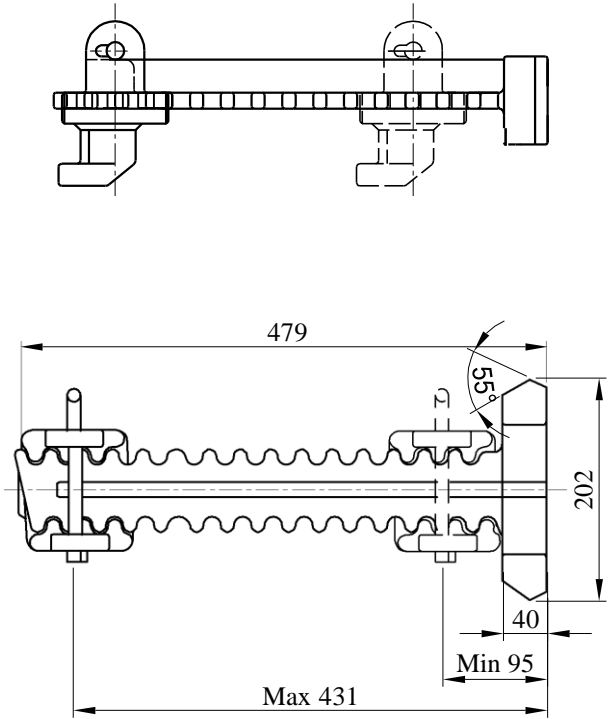


LOADS	SHEAR [KN]	TENSION
BREAKING LOAD	-	300
SAFE WORKING	-	150

TOTAL WEIGHT	8.0 KG
MATERIAL	CASTING STEEL
FINISH	HOT DIP GALVANISED

TENSION PRESSURE ELEMENT BULKHEAD

BF-A1

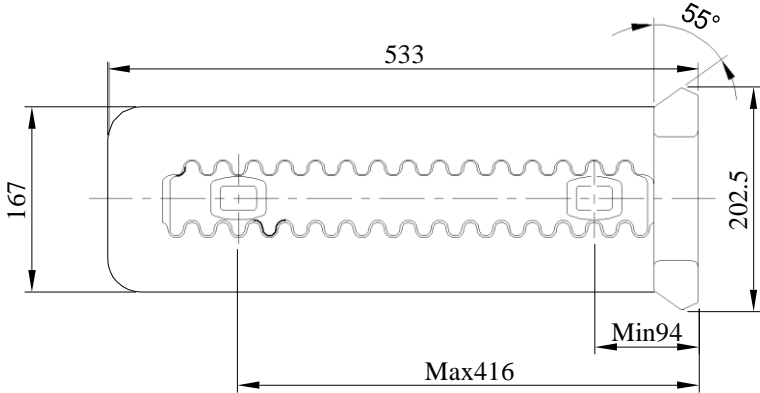
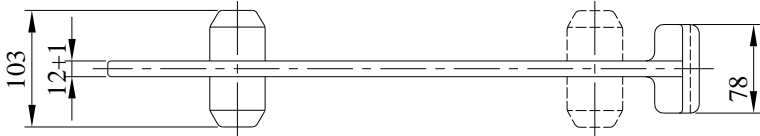


LOADS	SHEAR [KN]	TENSION [KN]
BREAKING LOAD	-	325
SAFE WORKING LOAD	-	163

TOTAL WEIGHT	11.3 KG
MATERIAL	CASTING STEEL
FINISH	HOT DIP GALVANISED

PRESSURE ELEMENT BULKHEAD

BF-B1

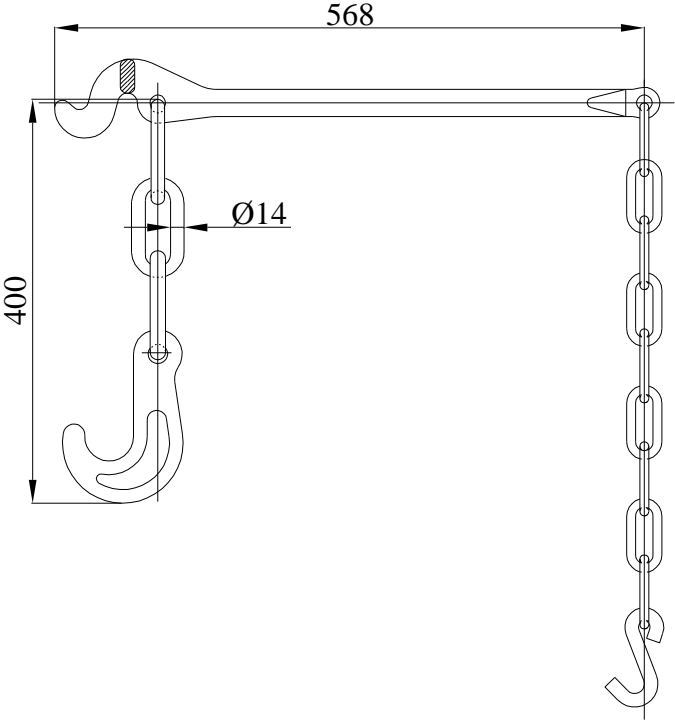


LOADS	SHEAR [KN]	TENSION
BREAKING LOAD	-	850
SAFE WORKING	-	425

TOTAL WEIGHT	10.3 KG
MATERIAL	CASTING STEEL
FINISH	HOT DIP GALVANISED

CHAIN TENSION LEVER

CB-B1

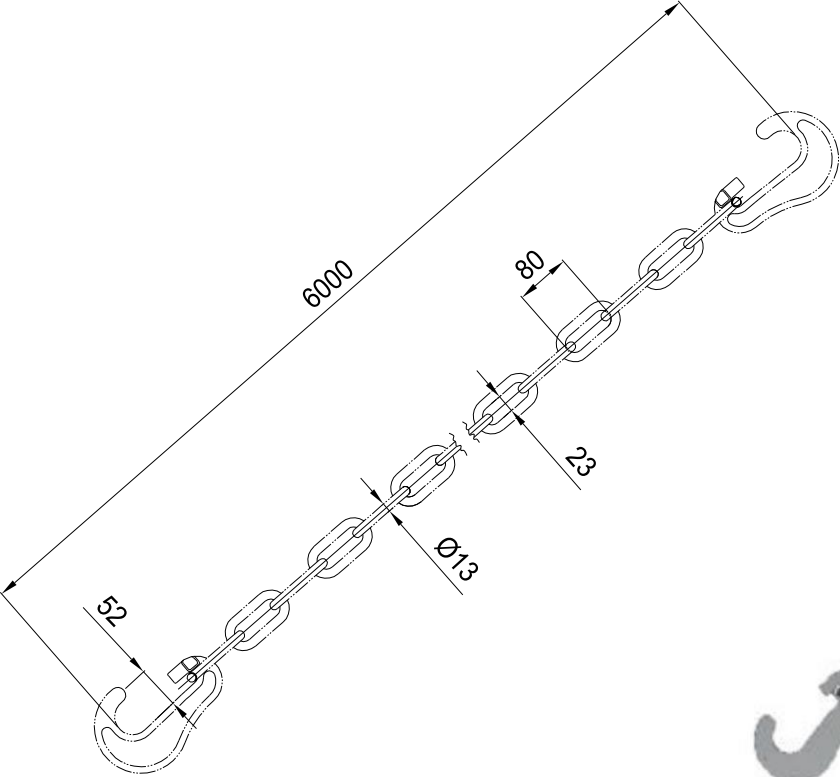


LOADS	SHEAR [KN]	TENSION [KN]
BREAKING LOAD	-	200
SAFE WORKING LOAD	-	100

TOTAL WEIGHT	5.5Kg
MATERIAL	FORGED STEEL
FINISH	SHOP PRIMER

CHAIN WITH HOOK END(S)

CB-D1

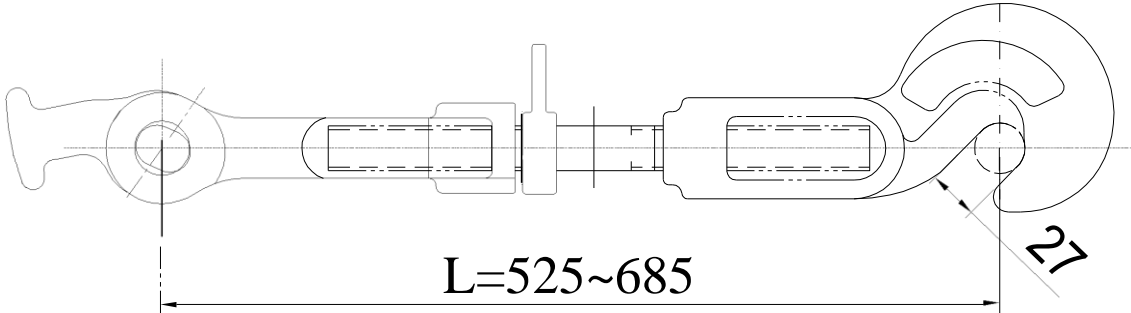


LOADS	SHEAR [KN]	TENSION [KN]
BREAKING LOAD	-	200
SAFE WORKING LOAD	-	100

TOTAL WEIGHT	-
MATERIAL	STRUCTURAL STEEL
FINISH	SHOP PRIMER

TURNBUCKLE HOOK TO ELEPHANTS FOOT

CE-B1/HE



CE-B1/HE
Hook/elephant foot

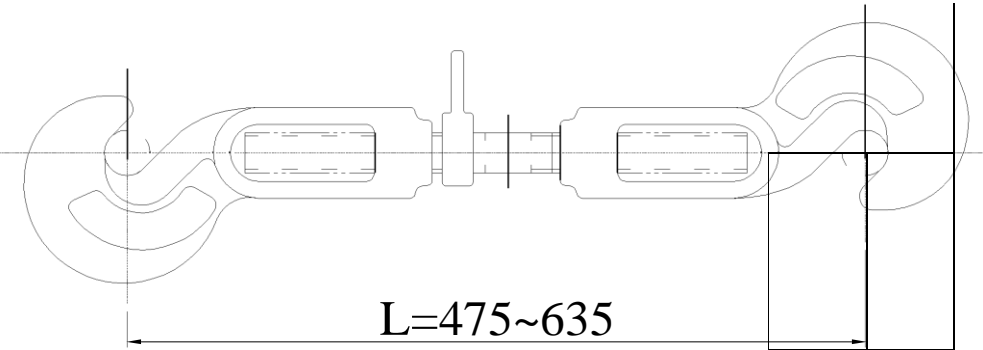


LOADS	SHEAR [KN]	TENSION [KN]
BREAKING LOAD	-	200
SAFE WORKING LOAD	-	100

TOTAL WEIGHT	5.4Kg
MATERIAL	CASTING STEEL
FINISH	HOT DIP GALVANISED

TURNBUCKLE HOOK TO HOOK

CE-B1/HH



L=475~635

CE-B1/HH
Hook/Hook

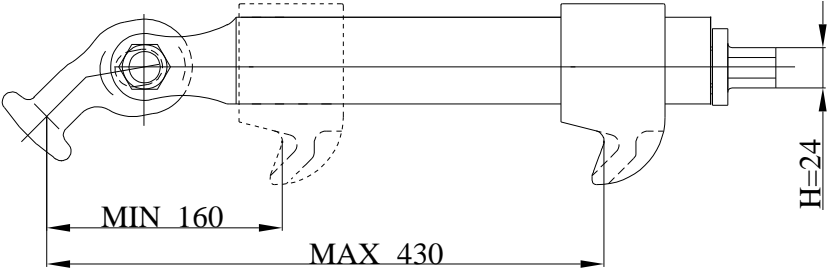


LOADS	SHEAR [KN]	TENSION [KN]
BREAKING LOAD	-	200
SAFE WORKING LOAD	-	100

TOTAL WEIGHT	5.0Kg
MATERIAL	CASTING STEEL
FINISH	HOT DIP GALVANISED

CHAIN SPEED LASH ELEPHANTS FOOT END

CE-D1/E

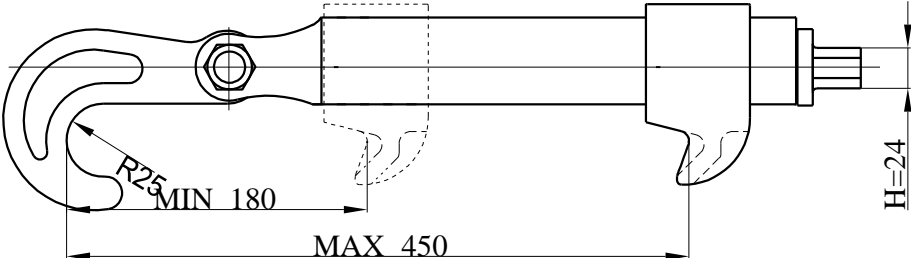


LOADS	SHEAR [KN]	TENSION [KN]
BREAKING LOAD	-	200
SAFE WORKING LOAD	-	100

TOTAL WEIGHT	7.0Kg
MATERIAL	CASTING STEEL
FINISH	HOT DIP GALVANISED

CHAIN SPEED LASH HOOK END

CE-D1/H

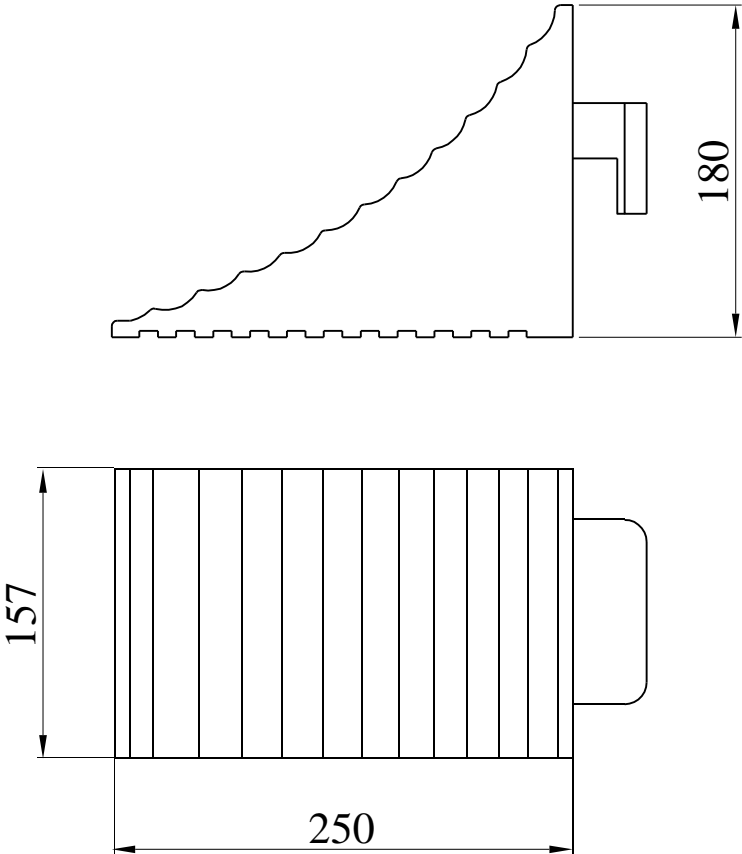


LOADS	SHEAR [KN]	TENSION [KN]
BREAKING LOAD	-	200
SAFE WORKING LOAD	-	100

TOTAL WEIGHT	7.0Kg
MATERIAL	CASTING STEEL
FINISH	HOT DIP GALVANISED

WHEEL CHOCK FOR TRAILER

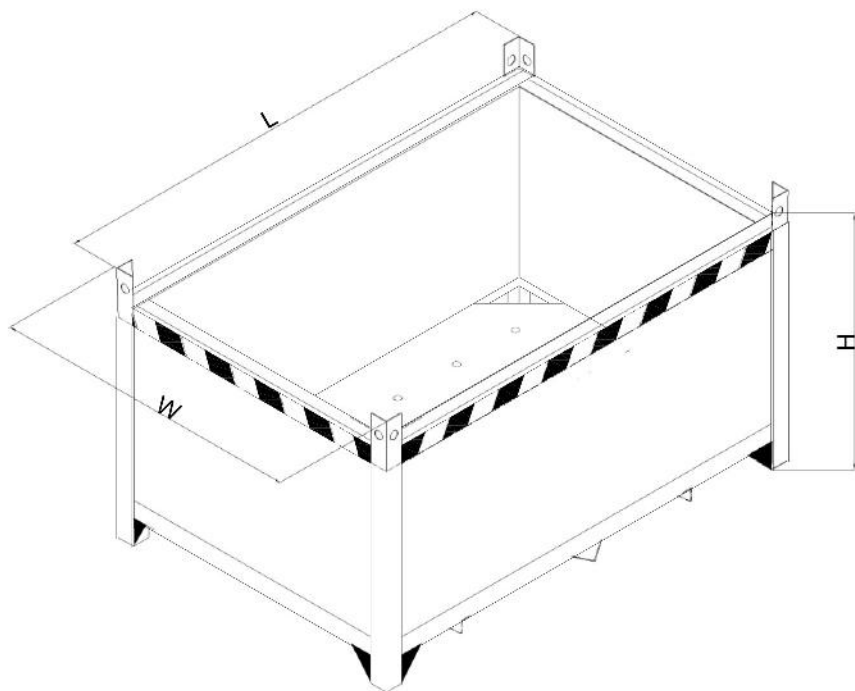
CH-B1



TOTAL WEIGHT	2.9 KG
MATERIAL	Rubber/Plastic
FINISH	-

LASHING GEAR STORAGE BIN

DA-B1

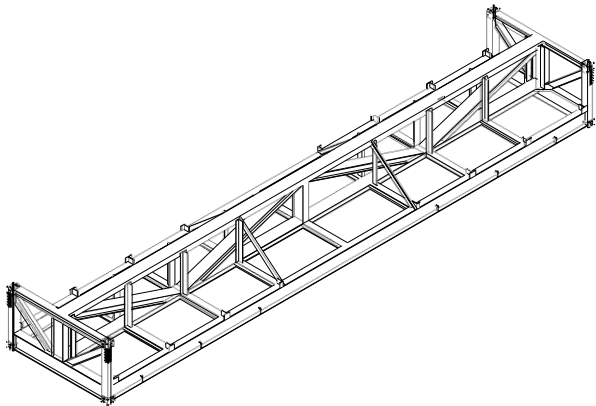
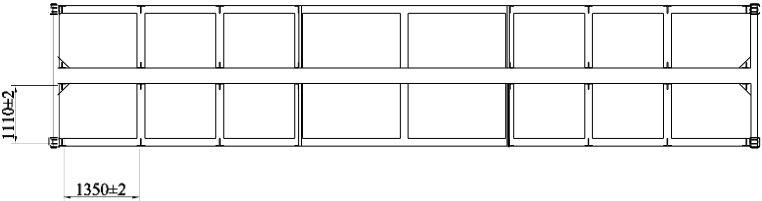
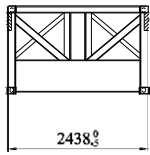
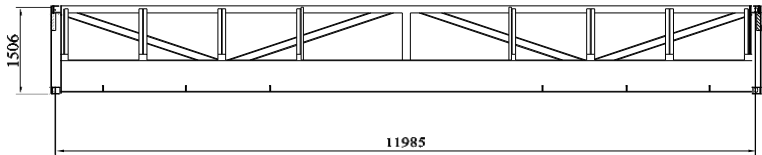


TYPE	L	W	H	WEIGHT
DA-B1	1320	870	790	127kg
DA-B1/XX	XXXX	XXX	XXX	XXXkg
OTHER SIZE ACCORDING TO ORDERS				

MATERIAL	SHIP BUILDING STEEL
FINISH	HOT DIP GALVANISED

LASHING GEAR BIN FLAT RACK FORTY FOOT

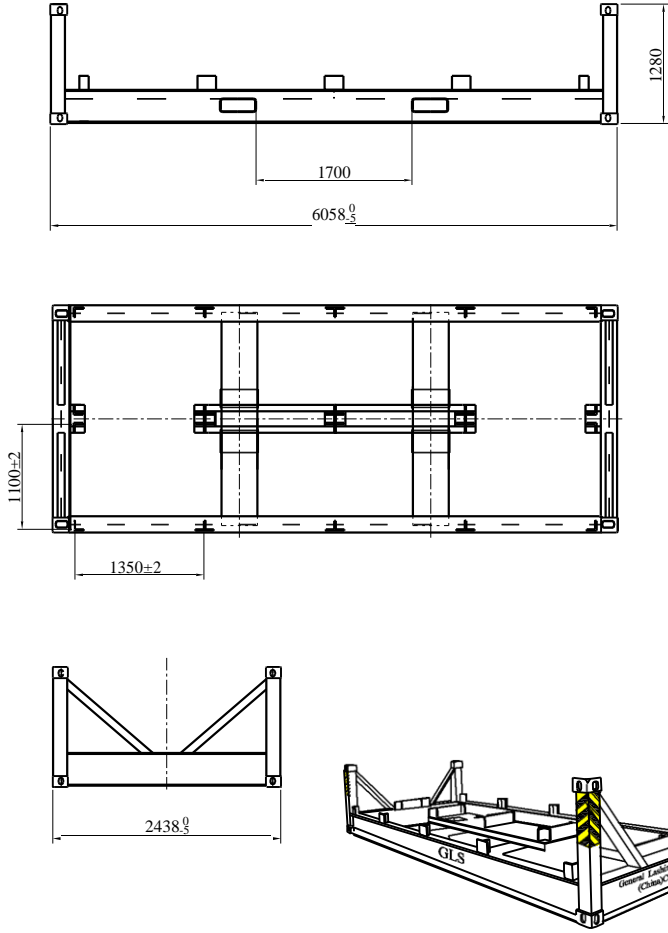
DA-C1/40



TOAL WEIGHT	3200 KG
MATERIAL	SHIP BUILDING STEEL
FINISH	PAINTED

LASHING GEAR BIN FLAT RACK TWENTY FOOT

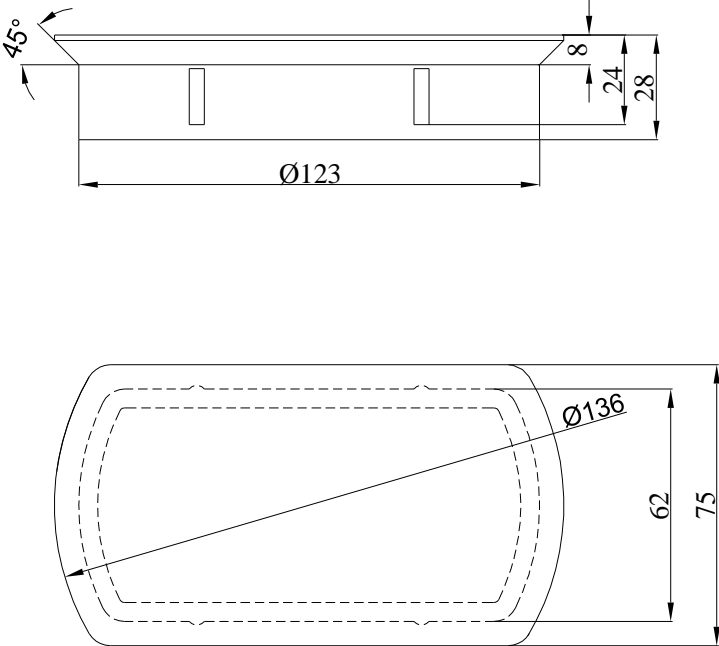
DA-C1/20



Matching Bin:1320mmx1090mmx740mm	
TOTAL WEIGHT	1600 KG
MATERIAL	SHIP BUILDING STEEL
FINISH	PAINTED

ISO HOLE RUBBER COVER

TB-P1



TOTAL WEIGHT	0.14 KG
MATERIAL	RUBBER
FINISH	-