

CIMC ISO DRY CONTAINER REPAIRING SPARE PARTS CATALOG

2018 Edition



CIMC

CIMC Spare Parts Service Business Center



Authorized Distributor:
Pacific Marine & Industrial
www.pacificmarine.net
info@pacificmarine.net



CIMC ISO DRY CONTAINER REPAIRING PART CATALOG

2018

NO.	ITEM	PART NO.	SPEC&SIZE	OTHER	PAGE	
1	Roof Panel	CIMC-D01-01	2.0X1045X2356	5 Corr.	1	
		CIMC-D01-05	2.0X1045X600	5 Corr. Patch		
		CIMC-D01-05-2	2.0X1045X1200	5 Corr.		
		2		CIMC-D01-09	2.0X1045X2356	4 Corr.
				CIMC-D01-05-3	2.0X1045X600	4 Corr. Patch
		3		CIMC-D01-05-4	2.0X1045X1200	4 Corr.
				CIMC-D01-03	2.0X1045X2356	Textainer
		4		CIMC-D01-07	2.0X1045X600	Textainer Patch
				CIMC-D01-04	2.0X1144X2359	Evergreen
		2	Side Panel	CIMC-D01-08	2.0X1144X600	Evergreen Patch
CIMC-D02-01A	1.6X1116X2400			Standard		
CIMC-D02-01B	1.6X1116X2700			Standard		
CIMC-D02-01C	2.0X1116X2400			Standard		
CIMC-D02-01D	2.0X1116X2700			Standard		
CIMC-D02-04A-1	1.6X1016X2400			HanJin		
CIMC-D02-04B-1	1.6X1016X2700			HanJin		
CIMC-D02-05A	2.0X1142X2400			Wide Flange		
CIMC-D02-05B	2.0X1142X2700			Wide Flange		
6				CIMC-D02-02A	Patch: 1.6X278X150	1 Corr.
				CIMC-D02-02B	Patch: 1.6X278X300	1 Corr.
				CIMC-D02-02C	Patch: 1.6X556X150	2 Corr.
				CIMC-D02-02D	Patch: 1.6X556X300	2 Corr.
				CIMC-D02-02E	Patch: 1.6X556X600	2 Corr.
				CIMC-D02-02F	Patch: 1.6X1116X300	4 Corr.
				CIMC-D02-02G	Patch: 1.6X1116X600	4 Corr.
				CIMC-D02-02H	Patch: 1.6X1116X1200	4 Corr.
3	Front End Panel			CIMC-D03-01A	2.0X1024X2400	4 Corr.
		CIMC-D03-01B	2.0X1024X2700	4 Corr.		
		CIMC-D03-02A	2.0X1024X2400	Evergreen,5 Corr.		
		CIMC-D03-02B	2.0X1024X2700	Evergreen,5 Corr.		
		8		CIMC-D03-03	Patch: 2.0X256X2700	1 Corr.
				CIMC-D03-04	Patch: 2.0X546X2700	2 Corr.
				CIMC-D03-05	Patch: 2.0X796X2700	3 Corr.
4	Door Panel	CIMC-D04-01A	2.0X943X1957	20'&40', 2 Corr.	9	
		CIMC-D04-01B	2.0X943X2262	40'HC, 2 Corr.		
		CIMC-D04-02A	2.0X943X1957	20'&40', 3 Corr.		
		CIMC-D04-02B	2.0X943X2262	40'HC, 3 Corr.		
		CIMC-D04-03A	2.0X943X1957	20'&40', 4 Corr.		
		CIMC-D04-03B	2.0X943X2262	40'HC, 4 Corr.		
5	Front Corner Post	CIMC-D05-01A	6.0X209X225X2400	Standard	10	
		CIMC-D05-01B	6.0X209X225X2700			
		CIMC-D05-02A	6.0X229X245X2400	Wide Flange		
		CIMC-D05-02B-1	6.0X229X245X2700			
		CIMC-D05-02B-1	6.0X229X245X2725			
		CIMC-D05-03A	6.0X229X214X2420			
		CIMC-D05-03B	6.0X229X214X2743			



cimc container parts catalogue

NO.	ITEM	PART NO.	SPEC&SIZE	OTHER	PAGE
5	Front Corner Post	CIMC-D05-03C	6.0X229X214X2700		10
		CIMC-D05-06B	6.0X248X232X2700		
		CIMC-D05-07A	6.0X246X231X2420		
		CIMC-D05-07B	6.0X246X231X2743		
	Front Corner Post with Reinforcement Inside	CIMC-D05-05A	6.0X209X225X2420 & 3.2X207X2420		11
		CIMC-D05-05B	6.0X209X225X2720 & 3.2X207X2720		
6	Rear Corner Post, Outer	CIMC-D06-01A	6.0X50X40X230X2400	Standard	12
		CIMC-D06-01B	6.0X50X40X230X2700	Wide Flange	
		CIMC-D06-02A	6.0X70X40X230X2400		
		CIMC-D06-02B	6.0X70X40X230X2700		
	Rear Corner Post, Inner	CIMC-D06-03B	12X113X40X2353		
		CIMC-D06-03C	12X113X40X2657		
	Rear Corner Post	CIMC-D06-04B	CIMC-D06-01A & CIMC-D06-03B		
		CIMC-D06-04C	CIMC-D06-01B & CIMC-D06-03C		
		CIMC-D06-05A	CIMC-D06-02A & CIMC-D06-03B		
		CIMC-D06-05B	CIMC-D06-02B & CIMC-D06-03C		
7	Cross Member	CIMC-D07	TXAXBXCXL		13
8	Bottom Side Rail	CIMC-D08-01C	4.5X50X162X30X5702	C Type	14
		CIMC-D08-02	4.5X50X155X30X5702	Double Z	
9	Top Side Rail	CIMC-D09-01A	3.0X60X60X5702	Square Tube	15
		CIMC-D09-02C	14X50X5702	Flat Bar	
		CIMC-D09-03	T=4.0 L=2400 "U" Type	Maersk	16
		CIMC-D09-04	T=4.0 L=2400 "W" Type		
10	Door Sill	CIMC-D10-01	4.5X158X150X2400		17
		CIMC-D10-01-4	4.0X158X150X2400		
	"C" Channel	CIMC-D10-03	9.0X200X75X70		18
	"V" Channel	CIMC-D10-04	10.0X300X95X70		
11	Front Bottom Rail	CIMC-D11-01	4.5X115X154X2400	Standard	19
		CIMC-D11-01-11	4.5X115X154X2400		
12	Top End Rail	CIMC-D12-01	3.0X100X26X277X2400	20'	20
		CIMC-D12-02	3.0X121X26X194X2400	40'/40'HC	
		CIMC-D12-03	4.0X95X26X304.8X2420	Extension Plate	
13	Door Header Upper	CIMC-D13-01	3.0X394X2400	20'	21
		CIMC-D13-02	3.0X346X2400	40'/40'HC	
	Door Header Lower	CIMC-D13-03	4.0X112X113X137X2400		
14	Door Rail	CIMC-D14-01	4.0X50X150X50X943		22
15	Floor Spacer	CIMC-D15-01	2.3X42X28X25X3000		
16	Angle	CIMC-D16	4.5/6.0/4.0XAXBX2400		23
17	Top / Bottom End Rail	CIMC-D17-01A	3.0X60X60X2112	Square Tube	24
18	Door Edge Member	CIMC-D18-01A	3.2X50X100X2248	20'&40'	
		CIMC-D18-01B	3.2X50X100X2552	40'HC	
19	Corner Casting	CIMC-D19-01	178X162X118	Set, 8pcs/Set	25
		CIMC-D19-01-1	178X162X118	BL	
		CIMC-D19-01-2	178X162X118	BR	
		CIMC-D19-01-3	178X162X118	TL	
		CIMC-D19-01-4	178X162X118	TR	
		CIMC-D19-02	178X193X118	45' Width	
		CIMC-D19-03	247X180X118	45' Standard	



cimc container parts catalogue

NO.	ITEM	PART NO.	SPEC&SIZE	OTHER	PAGE
20	Stainless Steel Door Seal Retainer Strip	CIMC-D20-01A	1.0X23X7X1130		26
		CIMC-D20-01B	1.0X23X7X2249	20'&40'	
		CIMC-D20-01C	1.0X23X7X2549	40'HC	
	ABS Door Seal Retainer Strip	CIMC-D20-03A	2.0X32X9X1142		27
		CIMC-D20-03B	2.0X32X9X2242	20'&40'	
21	Sealant	CIMC-D21-01	Neoprene (Grey)	310ml/pcs, 30pcs/pkg	28
		CIMC-D21-02	Neoprene (Black/White)		
		CIMC-D21-03	Butyl (Grey)		
		CIMC-D21-04	Butyl (Black)		
		CIMC-D21-05	Silicone Sealant (White)		
22	Cam	CIMC-D23-01A	L.H		29
		CIMC-D23-01B	R.H		
		CIMC-D23-01C	Security Cam R.H		
		CIMC-D23-01D	Security Cam L.H.		
		CIMC-D23-01G	Security Cam with Hole R.H		
	Keeper	CIMC-D23-02A	L.H	For Corrugated Door	31
		CIMC-D23-02B	R.H	For Corrugated Door	
		CIMC-D23-02C	L.H.	For Flat Door	
		CIMC-D23-02D	R.H.	For Flat Door	
		CIMC-D23-02E	Security Keeper R.H.		32
		CIMC-D23-02F	Security Keeper L.H.		
	CIMC-D23-02G	Security Keeper with hole R.H.	Maersk	33	
	Bearing Bracket	CIMC-D23-03	Outer L		34
		CIMC-D23-04	Inner L		
		CIMC-D23-05	Outer S		35
		CIMC-D23-06	Inner S		
	Handle	CIMC-D23-07A	Forging Type		36
		CIMC-D23-07B	Press Type		
		CIMC-D23-07C	Without Hole		
		CIMC-D23-07E	ET Security Type		
	Retainer Catch	CIMC-D23-08A	Forging Type		38
		CIMC-D23-08B	Press Type		
		CIMC-D23-08C	Without Hole		
	Retainer Plate	CIMC-D23-09A	Forging Type		39
		CIMC-D23-09B	Press Type		
		CIMC-D23-09C	Without Hole		
	Bush	CIMC-D23-10			40
Handle Hub	CIMC-D23-11				
Rivet	CIMC-D23-12				
Anti - Rack Ring	CIMC-D23-13				
ET Handle Hub	CIMC-D23-11E	ET Security Type		41	
ET Rivet	CIMC-D23-12E	ET Security Type			
Upper Short Split Bush	CIMC-D23-14			42	
Lower Short Split Bush	CIMC-D23-15				
Split Large Bush	CIMC-D23-16	Pair			
Split Small Bush	CIMC-D23-17	Pair			
23	Hinge Blade	CIMC-D24-01	Forging Type		43
		CIMC-D24-02	Welding Type		



cimc container parts catalogue

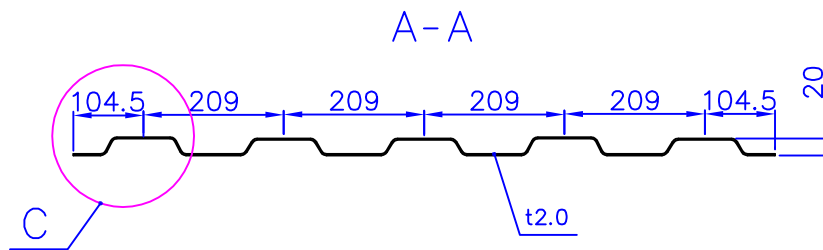
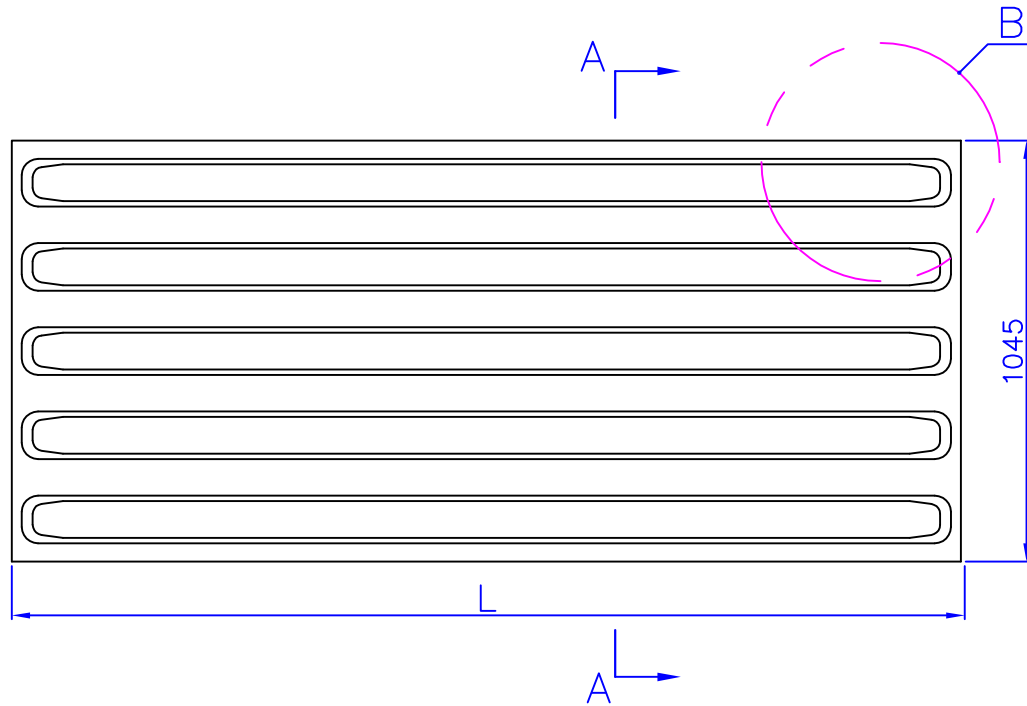
NO.	ITEM	PART NO.	SPEC&SIZE	OTHER	PAGE
23	Hinge Blade	CIMC-D24-03	Welding Type		43
		CIMC-D24-04	Maersk	Maersk	
	Hinge Pin	CIMC-D24-05	L=108mm		44
		CIMC-D24-05-1	L=139mm		
		CIMC-D24-05-2	L=94mm		
	Hinge Lug	CIMC-D24-06	T=9mm		
	Brass Wash	CIMC-D24-07			
	Bracket Gasket	CIMC-DGE06	T=1.0		Use for BBOL
		CIMC-DGE07040	T=1.0		Use for BBOS
CIMC-DGE08040		T=1.0		Use for Retainer Plate	
24	Lock Box	CIMC-D24-10			45
25	Ventilator	CIMC-D25-01	"S" Type		46
		CIMC-D25-02	"M" Type		47
		CIMC-D25-03	TAL		48
		CIMC-D25-04	For Pallet Wide		49
26	Door Seal	CIMC-D26-01A	Container Set, 20'/40'	"JC" Type	50
		CIMC-D26-01B	Container Set, 40'HC	"JC" Type	
		CIMC-D26-02A	Container Set, 20'/40'	"C" Type	51
		CIMC-D26-02B	Container Set, 40'HC	"C" Type	
		CIMC-D26-02C	2.50M/ PC	"C" Type	
		CIMC-D26-02D	40.00M / Roll	"C" Type	
		CIMC-D26-02E	300mmX300mm	"C" Type	
		CIMC-D26-03A	Container Set, 20'/40'	"J" Type	52
		CIMC-D26-03B	Container Set, 40'HC	"J" Type	
		CIMC-D26-03C	2.50Mtrs / PC	"J" Type	
		CIMC-D26-03D	300mmX300mm	"J" Type	
		CIMC-D26-03K	1200mmX1200mm	"J" Type	
		27	Door Screw	CIMC-D27-01	M10X25
CIMC-D27-02	M10X35				
Door Screw Nut	CIMC-D27-03		M10		
Door Screw Rubber	CIMC-D27-04		Φ10		
28	Tapping Screw	CIMC-D28-01A	M6X45	Cross Groove	54
		CIMC-D28-01B	M6X65	Cross Groove	
		CIMC-D28-02A	M8X45	Cross Groove	
		CIMC-D28-02B	M8X50	Cross Groove	
		CIMC-D28-02C	M8X65	Cross Groove	
		CIMC-D28-02A-1	M8X45	Club Groove	
		CIMC-D28-02B-1	M8X50	Club Groove	
		CIMC-D28-02C-1	M8X65	Club Groove	
29	Stainless Steel Blind Rivet	CIMC-D29-01	M4.8X7		55
		CIMC-D29-02	M4.8X14		
		CIMC-D29-03	M4.8X16.7		
30	Lashing Ring	CIMC-D30-01	Φ8X70		56
		CIMC-D30-02	Φ12X140		
		CIMC-D30-03	Φ12X64		
		CIMC-D30-05	Φ12X58		
		CIMC-D30-06	Φ6X44		
31	CSC Plate	CIMC-D31-01	0.8X100X200		57
		CIMC-D31-02	0.8X200X250		58



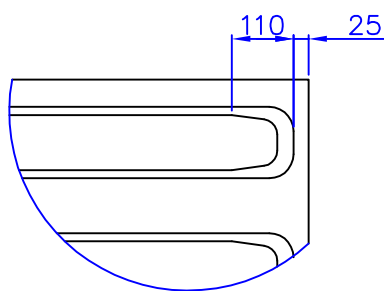
cimc container parts catalogue

NO.	ITEM	PART NO.	SPEC&SIZE	OTHER	PAGE
31	CSC Plate	CIMC-D31-03	0.8X210X270		59
32	Wooden Flooring	CIMC-D32-01A	28X1160X2400		60
		CIMC-D32-01B	28X640X2400		
		CIMC-D32-01C	28X1220X2440		
	Bamboo Plywood	CIMC-D32-02	28X1160X2400		61
33	Gooseneck Cross Rail	CIMC-D33-01A	4.0X75X100X75X2268		62
		CIMC-D33-01B	4.0X100X75X2328		
		CIMC-D33-01C	6.0X100X150X60X2328		
	Gooseneck Side Rail	CIMC-D33-02	6.0X146X65X3305		63
	Gooseneck Bottom Rail	CIMC-D33-03	4.5X26X100X26X1029		
	Gooseneck Plate	CIMC-D33-04	4.5X150X1160X3307		
36	Tapping Screw Bit	CIMC-D36-01	Double End	Cross Groove	64
		CIMC-D36-01-1	Simple End	Cross Groove	
		CIMC-D36-01-2	Simple End	Club Groove	
	Socket	CIMC-D36-01-3	M12.5X12.5		
		CIMC-D36-01-4	M19X19		
	Redrill Bit	CIMC-D36-02			
	Container Inspection Tools	CIMC-D36-06	Set		65
	Magnetic Measuring lines	CIMC-D36-05			
Measuring Rule	CIMC-D36-06-1				
Hammer for inspection	CIMC-D36-06-2				
37	Garment Hanger Bar	CIMC-D37-01	L=2286mm		66
		CIMC-D37-02	L=2260mm~L=2310mm		67
38	Tir Wire Completed with End 20'	CIMC-K01-01	L=22M		68
	Tir Wire Completed with End 40'	CIMC-K01-02	L=33M		
	Cable Seal End	CIMC-K01-03			
	Eyelet	CIMC-K01-04	Pair	Open top	
	Hinge Blade, Open Top	CIMC-K01-05	R.H. or L.H.		
	Hinge Pin with Chain, Open Top	CIMC-K01-06			69
	Tarpaulin, Raw Cloth	CIMC-K02-03	20', 3mX6.5m	610g/m ² or 650g/m ²	
	Tarpaulin, Raw Cloth	CIMC-K02-04	40', 3mX12.6m		
	Tarpaulin Welding Tape	CIMC-K02-05-3	Roll		
	Rubber Roller & Tilt Patch Gun				
Roof Bow	CIMC-K03-01	T=3.0(1.5), L=2260mm		70	
Roof Bow	CIMC-K03-02	T=3.0(1.5), L=2325mm			

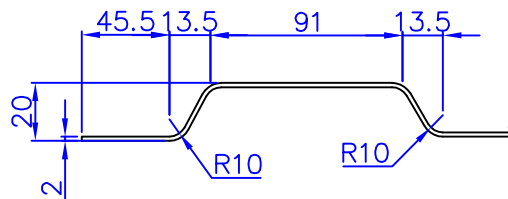




DETAIL B
2:1



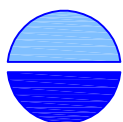
DETAIL C
2:1



注: Corrugation depth 波深20mm,
Camber 拱度4-7mm

PART NO.	SPEC	WEIGHT
CIMC-D01-01	2.0X1045X2356	42.117
CIMC-D01-05	2.0X1045X600	11.443
CIMC-D01-05-2	2.0X1045X1200	22.088

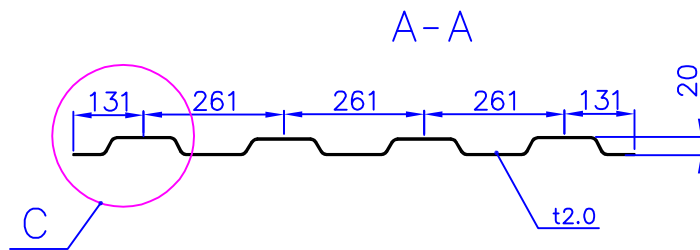
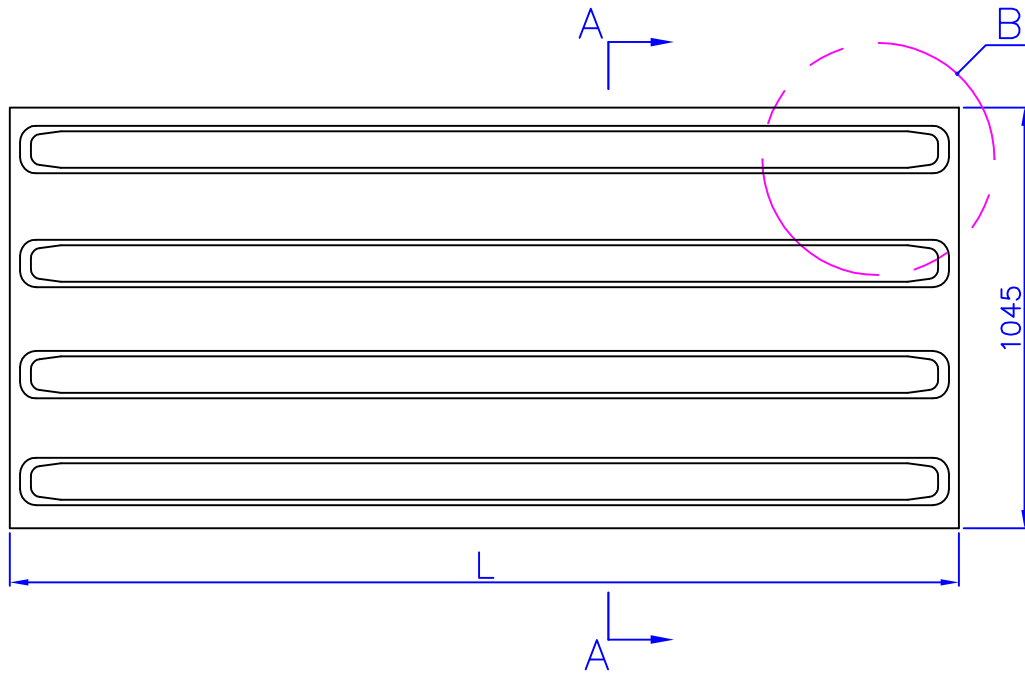
TITLE	Roof Panel (Patch) 五波圆头大/小/中顶板	WEIGHT	KGS		
SPEC	2.0 X 1045 X L	MATERIAL	CORTEN		
PART NO.	CIMC-D01-01/05/05-2	UNIT	mm	PAGE NO.	1



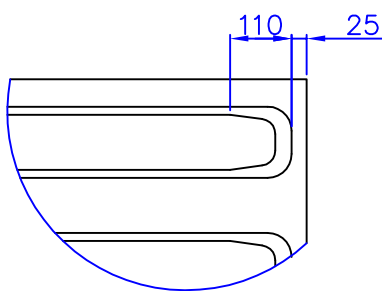
CIMC



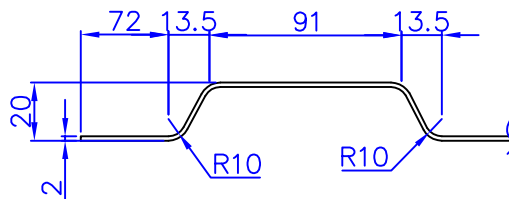
Authorized Distributor:
Pacific Marine & Industrial
www.pacificmarine.net
info@pacificmarine.net



DETAIL B
2:1



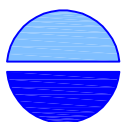
DETAIL C
2:1



注: Corrugation depth 波深20mm,
Camber 拱度4-7mm

PART NO.	SPEC	WEIGHT
CIMC-D01-09	2.0X1045X2356	42.117
CIMC-D01-05-3	2.0X1045X600	11.443
CIMC-D01-05-4	2.0X1045X1200	22.088

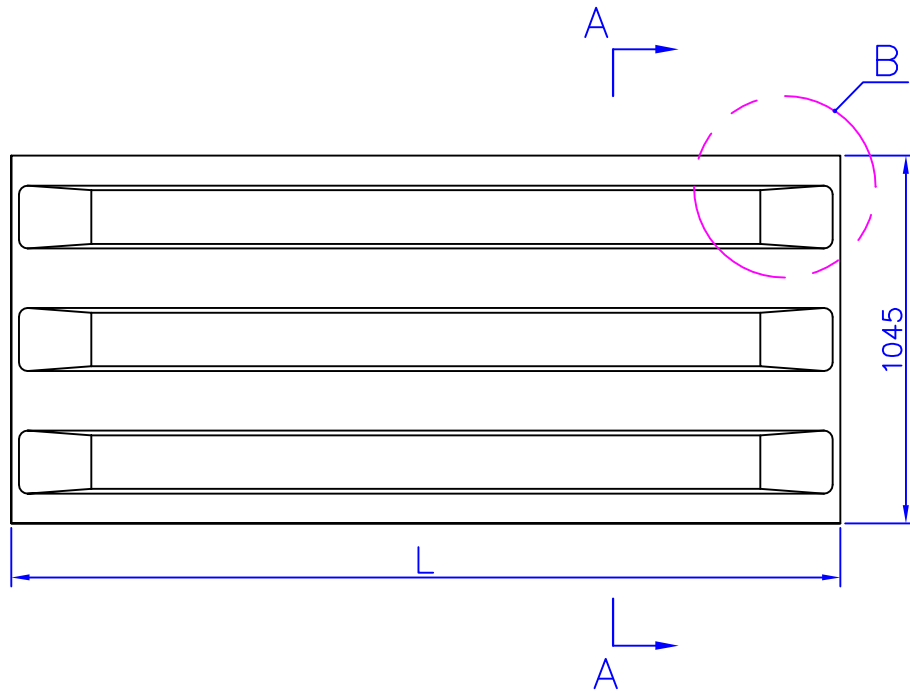
TITLE	Roof Panel (Patch) 四波圆头大/小/中顶板	WEIGHT	KGS		
SPEC	2.0 X 1045 X L	MATERIAL	CORTEN		
PART NO.	CIMC-D01-09/05-3/05-4	UNIT	mm	PAGE NO.	2



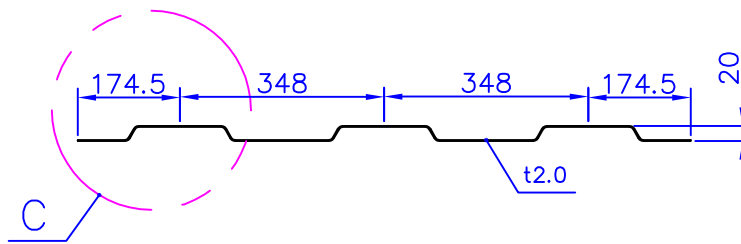
CIMC



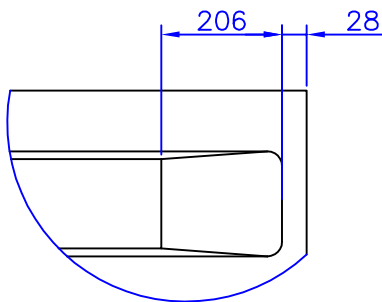
Authorized Distributor:
Pacific Marine & Industrial
www.pacificmarine.net
info@pacificmarine.net



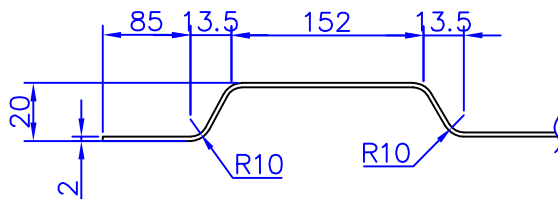
A-A



DETAIL B
2:1



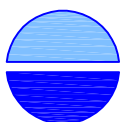
DETAIL C
2:1



注: Corrugation depth 波深20mm,
Camber 拱度4-7mm

PART NO.	SPEC	WEIGHT
CIMC-D01-03	2.0X1045X2356	41.476
CIMC-D01-07	2.0X1045X600	11.240

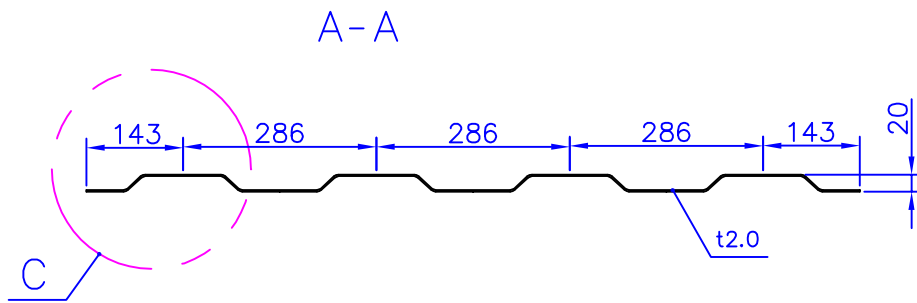
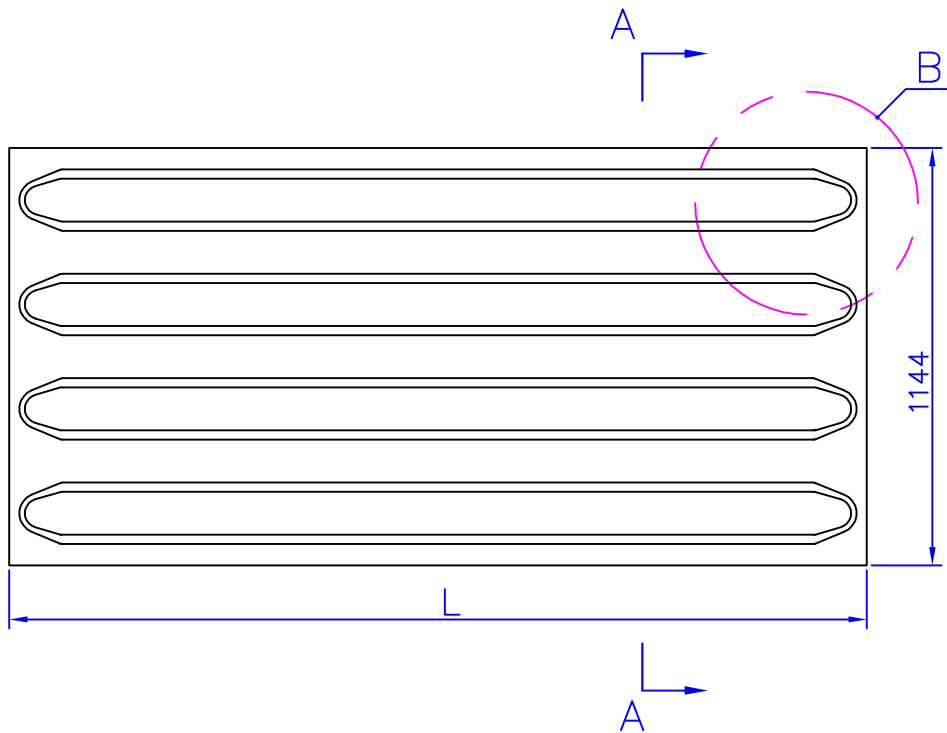
TITLE	Roof Panel (Patch) 三波方头大/小顶板	WEIGHT	KGS		
SPEC	2.0 X 1045 X L	MATERIAL	CORTEN		
PART NO.	CIMC-D01-03/07	UNIT	mm	PAGE NO.	3



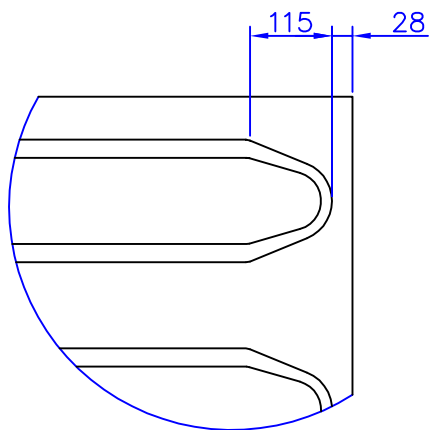
CIMC



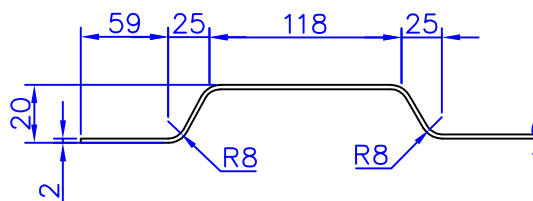
Authorized Distributor:
Pacific Marine & Industrial
www.pacificmarine.net
info@pacificmarine.net



DETAIL B
2:1



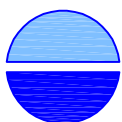
DETAIL C
2:1



注: Corrugation depth 波深20mm,
Camber 拱度4-7mm

PART NO.	SPEC	WEIGHT
CIMC-D01-04	2.0X1144X2359	46.158
CIMC-D01-08	2.0X1144X600	12.501

TITLE	Roof Panel (Patch) 四波尖头大/小顶板	WEIGHT	KGS		
SPEC	2.0 X 1045 X L	MATERIAL	CORTEN		
PART NO.	CIMC-D01-04/08	UNIT	mm	PAGE NO.	4

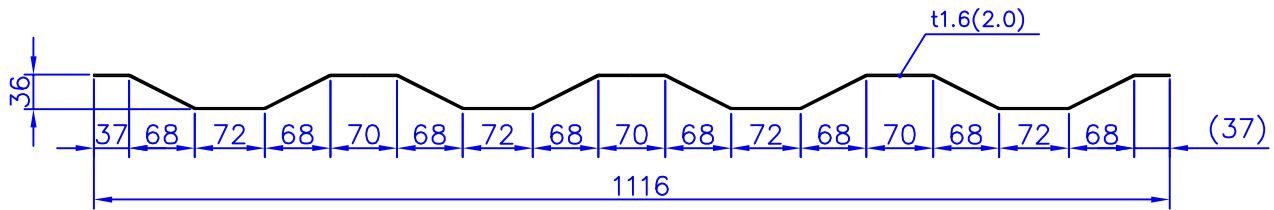


CIMC



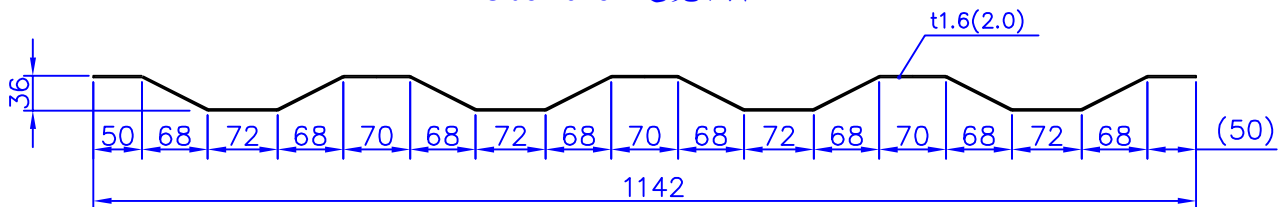
Authorized Distributor:
Pacific Marine & Industrial
www.pacificmarine.net
info@pacificmarine.net

Side Panel 侧板



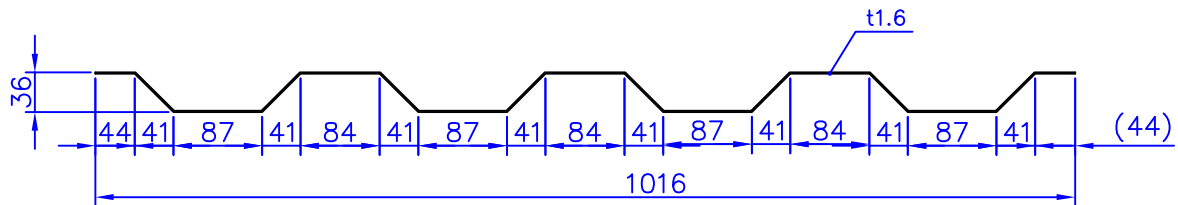
PART NO.	SPEC	WEIGHT
CIMC-D02-01A	1.6X1116X2400	35.721
CIMC-D02-01B	1.6X1116X2700	40.186
CIMC-D02-01C	2.0X1116X2400	44.462
CIMC-D02-01D	2.0X1116X2700	50.020

Side Panel 超宽侧板



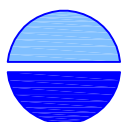
PART NO.	SPEC	WEIGHT
CIMC-D02-05A	2.0X1142X2400	47.097
CIMC-D02-05A-1	2.0X1142X2380	46.704
CIMC-D02-05A-2	1.6X1142X2380	37.363
CIMC-D02-05B	2.0X1142X2700	52.984
CIMC-D02-05B-1	2.0X1142X2743	53.828
CIMC-D02-05B-2	1.6X1142X2743	43.062
CIMC-D02-05B-3	1.6X1142X2700	42.387

HANJIN Side Panel 韩进侧板



PART NO.	SPEC	WEIGHT
CIMC-D02-04A-1	1.6X1016X2400	32.915
CIMC-D02-04B-1	1.6X1016X2700	37.029

TITLE	Side Panel 侧板	WEIGHT	KGS		
SPEC	1.6(2.0) X W X L	MATERIAL	CORTEN		
PART NO.	CIMC-D02	UNIT	mm	PAGE NO.	5

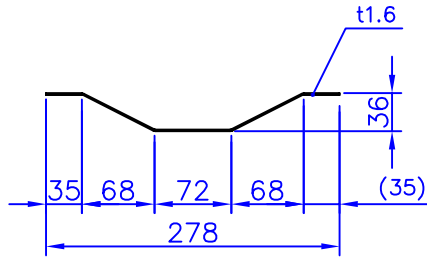


CIMC



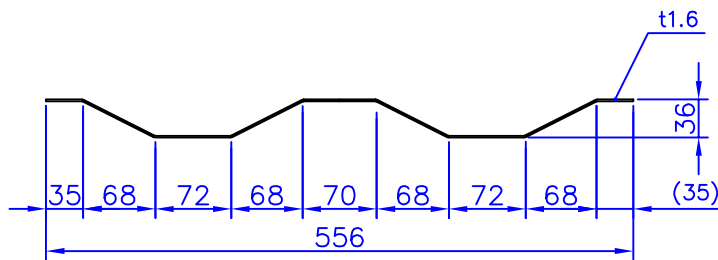
Authorized Distributor:
Pacific Marine & Industrial
www.pacificmarine.net
info@pacificmarine.net

1 CORR. 1浪



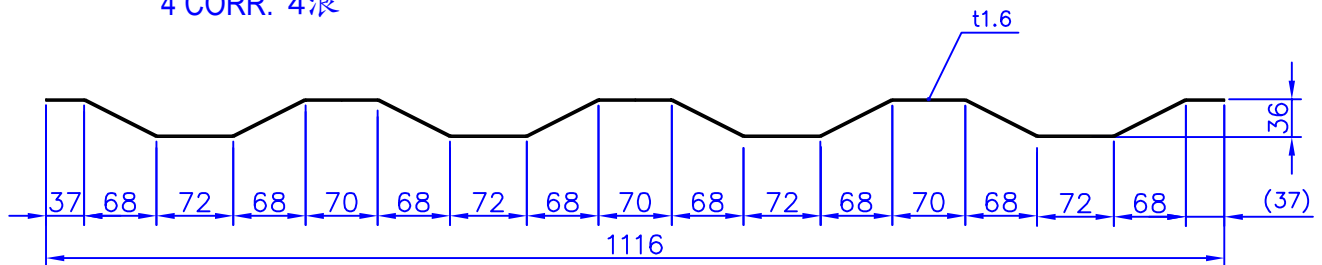
PART NO.	SPEC	WEIGHT
CIMC-D02-02A	1.6X278X150	0.558
CIMC-D02-02B	1.6X278X300	1.116

2 CORR. 2浪



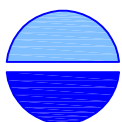
PART NO.	SPEC	WEIGHT
CIMC-D02-02C	1.6X556X150	1.116
CIMC-D02-02D	1.6X556X300	2.233
CIMC-D02-02E	1.6X556X600	4.465

4 CORR. 4浪



PART NO.	SPEC	WEIGHT
CIMC-D02-02F	1.6X1116X300	4.465
CIMC-D02-02G	1.6X1116X600	8.930
CIMC-D02-02H	1.6X1116X1200	17.860

TITLE	Side Panel Patch 八字侧板补片	WEIGHT	KGS		
SPEC	1.6 X W X L	MATERIAL	CORTEN		
PART NO.	CIMC-D02-02	UNIT	mm	PAGE NO.	6

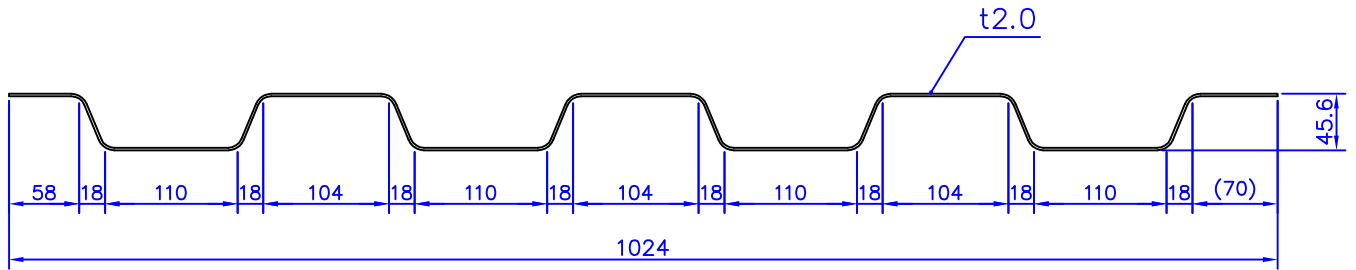


CIMC



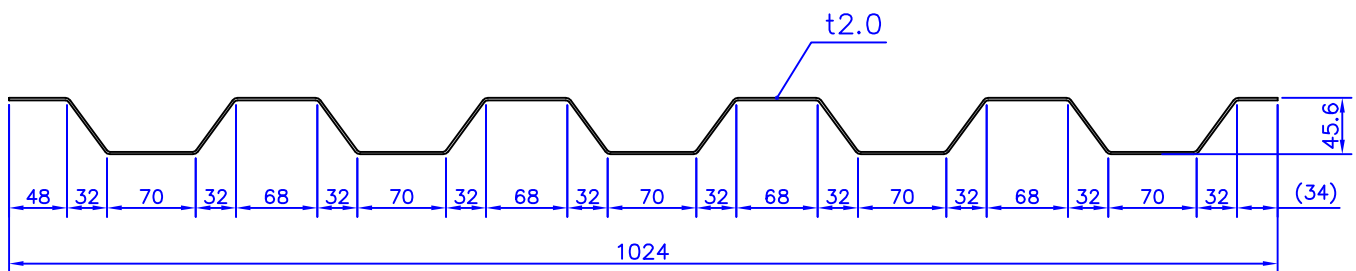
Authorized Distributor:
Pacific Marine & Industrial
 www.pacificmarine.net
 info@pacificmarine.net

四浪前端板



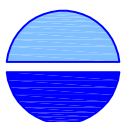
PART NO.	SPEC	WEIGHT
CIMC-D03-01A	2.0X1024X2400	46.158
CIMC-D03-01B	2.0X1024X2700	51.928

长荣前端板



PART NO.	SPEC	WEIGHT
CIMC-D03-02A	2.0X1024X2400	46.158
CIMC-D03-02B	2.0X1024X2700	51.928

TITLE	Front End Panel 前端板	WEIGHT	KGS		
SPEC	2.0 X 1024 X L	MATERIAL	CORTEN		
PART NO.	CIMC-D03-01A/B, 02A/B	UNIT	mm	PAGE NO.	7

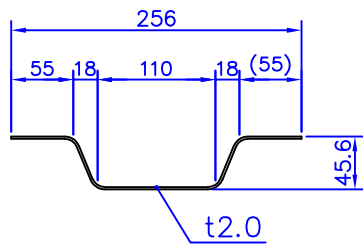


CIMC



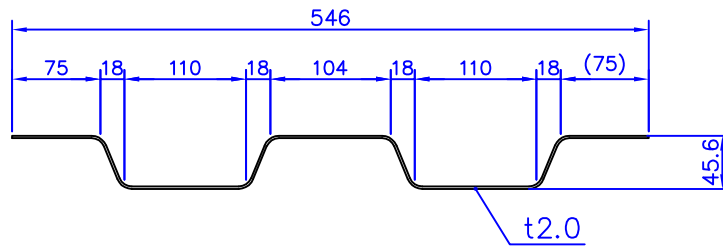
Authorized Distributor:
Pacific Marine & Industrial
www.pacificmarine.net
info@pacificmarine.net

1 CORR. 1浪



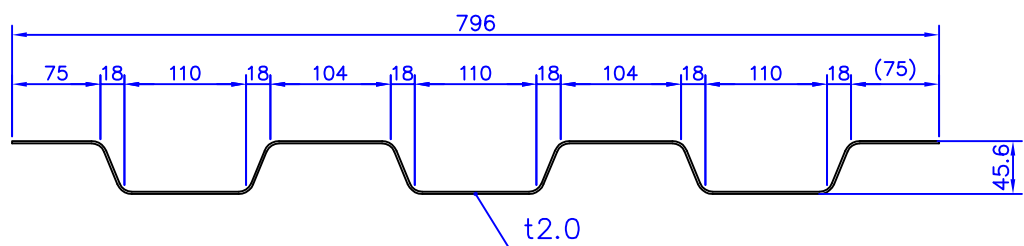
PART NO.	SPEC	WEIGHT
CIMC-D03-03-1	2.0X256X2700	10.921

2 CORR. 2浪



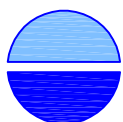
PART NO.	SPEC	WEIGHT
CIMC-D03-04	2.0X546X2700	23.292

3 CORR. 3浪



PART NO.	SPEC	WEIGHT
CIMC-D03-05	2.0X796X2700	33.957

TITLE	Front End Panel (Patch) 前端板补片	WEIGHT	KGS		
SPEC	2.0 X W X 2700	MATERIAL	CORTEN		
PART NO.	CIMC-D03-03-1/04/05	UNIT	mm	PAGE NO.	8

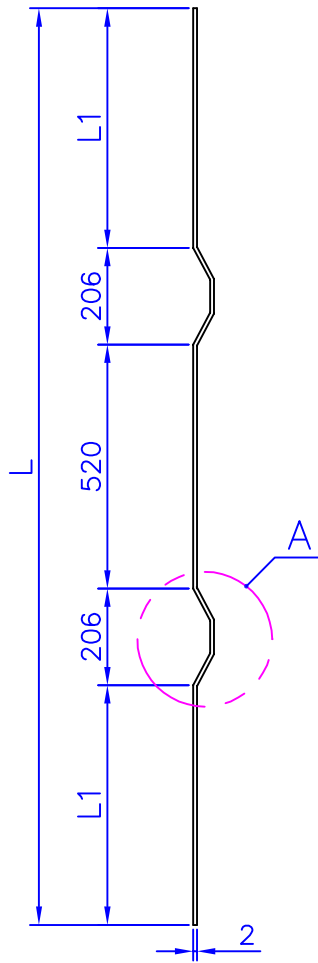


CIMC

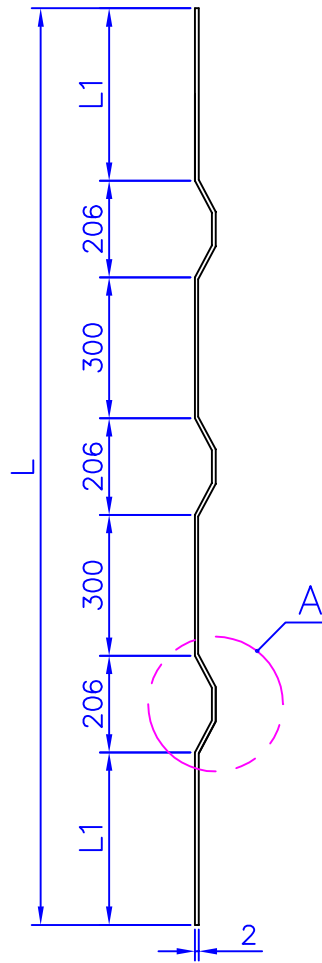


Authorized Distributor:
Pacific Marine & Industrial
 www.pacificmarine.net
 info@pacificmarine.net

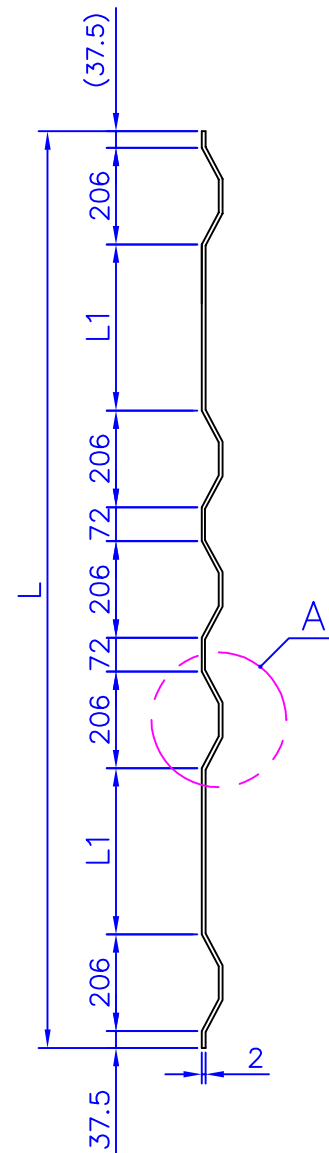
CIMC-D04-01A/B
二波门板



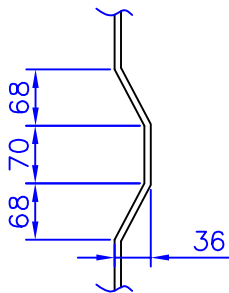
CIMC-D04-02A/B
三波门板



CIMC-D04-03A/B
五波门板

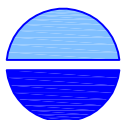


DETAIL A
2:1



PART NO.	SPEC	L1	WEIGHT
CIMC-D04-01A	2.0X943X1957	512.5	30.516
CIMC-D04-01B	2.0X943X2262	665	36.243
CIMC-D04-02A	2.0X943X1957	369.5	31.023
CIMC-D04-02B	2.0X943X2262	522	36.751
CIMC-D04-03A	2.0X943X1957	354	31.023
CIMC-D04-03B	2.0X943X2262	506	36.751

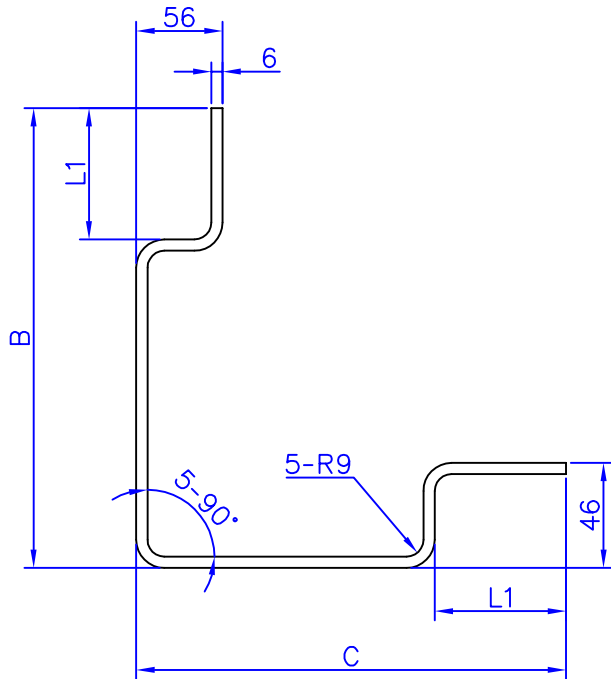
TITLE	Door Panel 门板	WEIGHT	KGS		
SPEC	2.0 X 943 X L	MATERIAL	CORTEN		
PART NO.	CIMC-D04	UNIT	mm	PAGE NO.	9



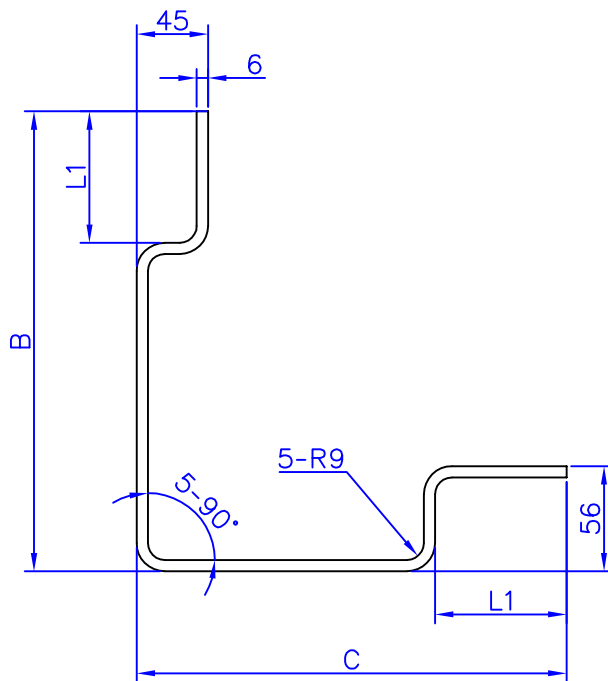
CIMC



Authorized Distributor:
Pacific Marine & Industrial
www.pacificmarine.net
info@pacificmarine.net

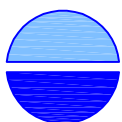


PART NO.	SPEC	B	C	L1	WEIGHT
CIMC-D05-01A	6.0X209X225X2400	209	225	50	54.937
CIMC-D05-01B	6.0X209X225X2700	209	225	50	61.805
CIMC-D05-02A	6.0X229X245X2400	229	245	70	59.459
CIMC-D05-02B-1	6.0X229X245X2700	229	245	70	66.891
CIMC-D05-02B	6.0X229X245X2725	229	245	70	67.941



PART NO.	SPEC	B	C	L1	WEIGHT
CIMC-D05-03A	6.0X229X214X2420	229	214	58	56.780
CIMC-D05-03B	6.0X229X214X2743	229	214	58	64.359
CIMC-D05-03C	6.0X229X214X2700	229	214	58	63.350
CIMC-D05-06B	6.0X248X232X2700	248	232	76	67.829
CIMC-D05-07A	6.0X246X231X2420	246	231	75	60.179
CIMC-D05-07B	6.0X246X231X2743	246	231	75	67.701

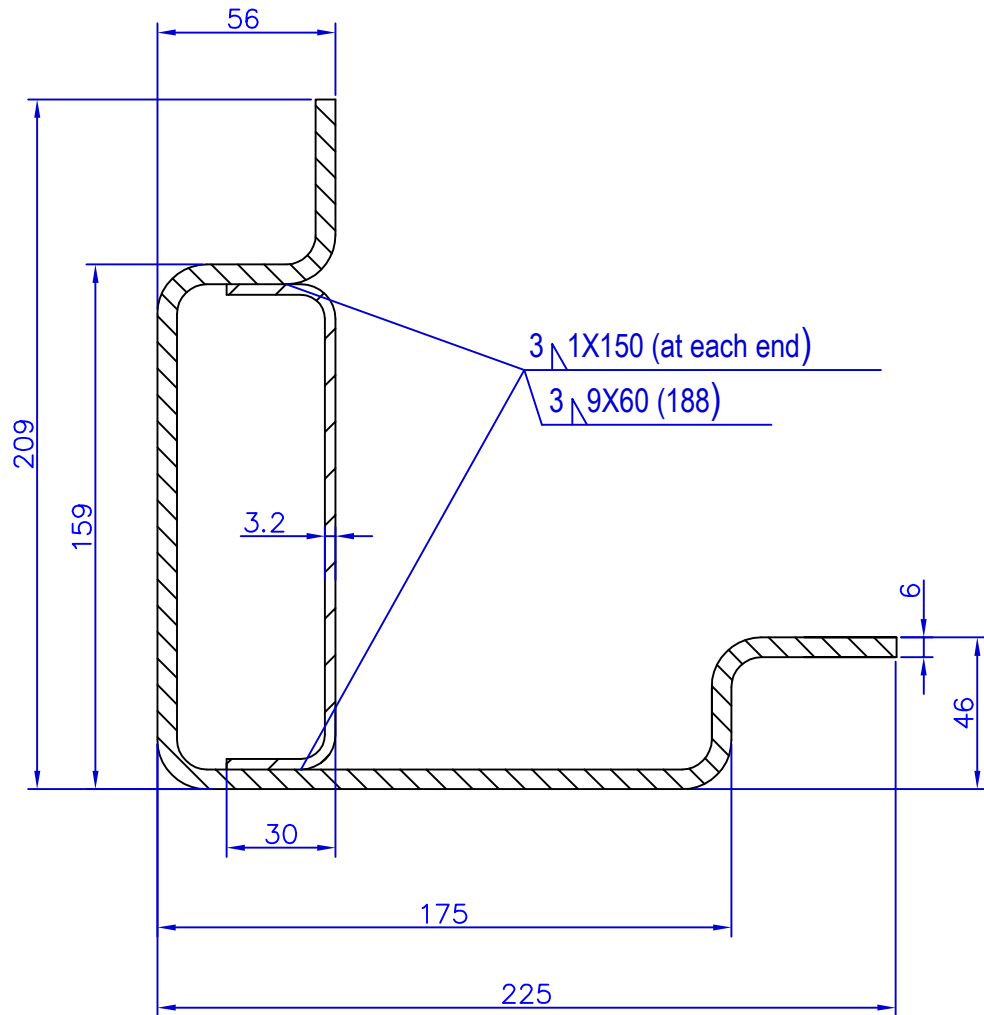
TITLE	Front Corner Post 前角柱	WEIGHT		KGS	
SPEC	6.0 X B X C X L	MATERIAL		CORTEN	
PART NO.	CIMC-D05	UNIT	mm	PAGE NO.	10



CIMC

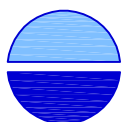


Authorized Distributor:
Pacific Marine & Industrial
 www.pacificmarine.net
 info@pacificmarine.net



PART NO.	SPEC	WEIGHT
CIMC-D05-05A	6.0X209X225X2420 & 3.2X195X2420	66.915
CIMC-D05-05B	6.0X209X225X2720 & 3.2X195X2720	75.282

TITLE	Front Corner Post with reinforcement inside 加强前角柱	WEIGHT	KGS		
SPEC	L=2420 / 2720	MATERIAL	CORTEN		
PART NO.	CIMC-D05-05A/B	UNIT	mm	PAGE NO.	11

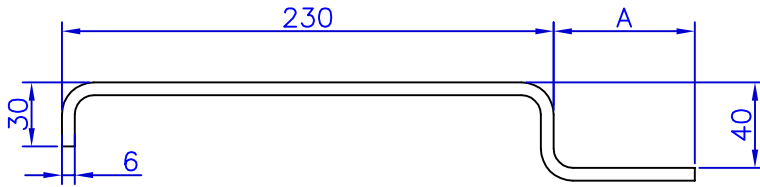


CIMC



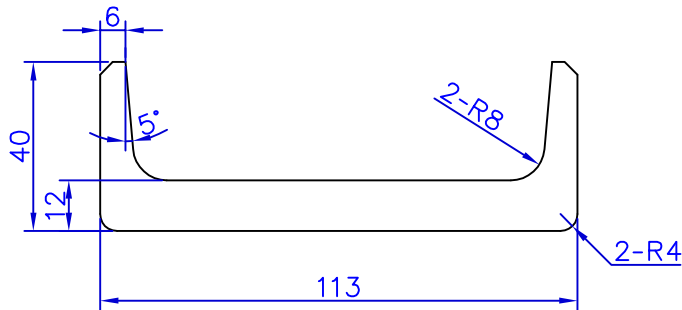
Authorized Distributor:
Pacific Marine & Industrial
 www.pacificmarine.net
 info@pacificmarine.net

Rear Corner Post Outer 后外角柱



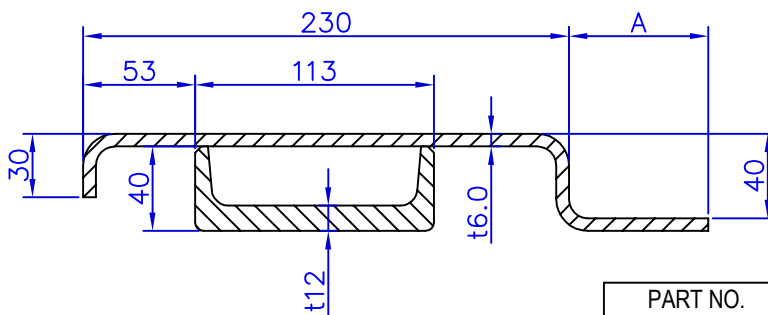
PART NO.	SPEC	A	WEIGHT
CIMC-D06-01A	6.0X50X40X230X2400	50	36.851
CIMC-D06-01B	6.0X50X40X230X2700	50	41.457
CIMC-D06-02A	6.0X70X40X230X2400	70	37.529
CIMC-D06-02B	6.0X70X40X230X2700	70	42.220

Rear Corner Post Inner 后内角柱



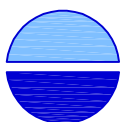
PART NO.	SPEC	MATERIAL	WEIGHT
CIMC-D06-03B	12X113X40X2353	SS50	32.718
CIMC-D06-03C	12X113X40X2657	SS50	36.946

Rear Corner Post with Inner Channel 后外角柱焊槽钢



PART NO.	SPEC	A
CIMC-D06-04B	6.0X50X40X230X2400 & 12X113X40X2353	50
CIMC-D06-04C	6.0X50X40X230X2700 & 12X113X40X2657	50
CIMC-D06-05A	6.0X70X40X230X2400 & 12X113X40X2353	70
CIMC-D06-05B	6.0X70X40X230X2700 & 12X113X40X2657	70

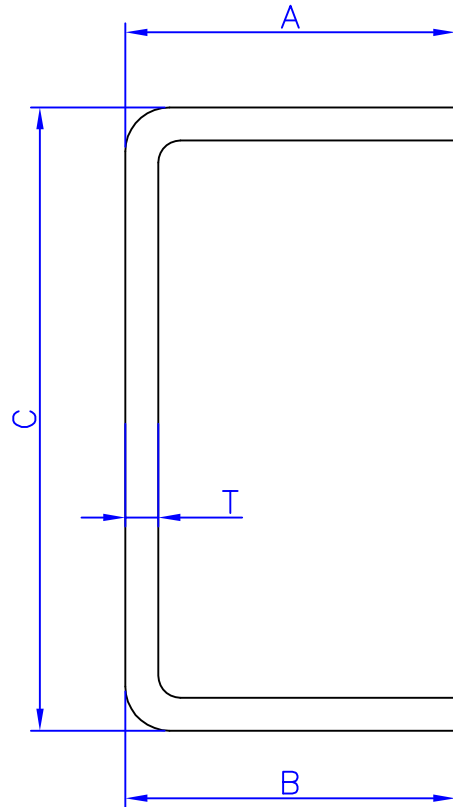
TITLE	Rear Corner Post 后外(内)角柱	WEIGHT	KGS		
SPEC		MATERIAL	CORTEN & SS50		
PART NO.	CIMC-D06	UNIT	mm	PAGE NO.	12



CIMC

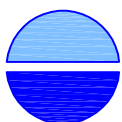


Authorized Distributor:
Pacific Marine & Industrial
www.pacificmarine.net
info@pacificmarine.net



PART NO.	T	A	B	C	SPEC	WEIGHT
CIMC-D07-01A	4.5	45	122	80	4.5X45X122X80X2400	19.415
CIMC-D07-02B	4.5	50	122	80	4.5X50X122X80X2400	19.839
CIMC-D07-02A	4.5	45	85	45	4.5X45X85X45X2400	13.310
CIMC-D07-02B	4.5	45	100	45	4.5X45X100X45X2400	14.582
CIMC-D07-02C	4.5	45	122	45	4.5X45X122X45X2400	16.447
CIMC-D07-02D	4.5	60	120	60	4.5X60X120X60X2420	18.978
CIMC-D07-02E	4.5	60	120	80	4.5X60X120X80X2420	20.688
CIMC-D07-02F	4.5	50	120	50	4.5X50X120X50X2400	17.126
CIMC-D07-03A	4.0	45	122	80	4.0X45X122X80X2400	17.408
CIMC-D07-03B	4.0	45	85	45	4.0X45X85X45X2400	11.832
CIMC-D07-03C	4.0	45	100	45	4.0X45X100X45X2400	13.113
CIMC-D07-03D	4.0	45	122	45	4.0X45X122X45X2400	14.771

TITLE	Cross Member 底横梁	WEIGHT		KGS	
SPEC	TxAxBxCxL	MATERIAL		CORTEN	
PART NO.	CIMC-D07	UNIT	mm	PAGE NO.	13

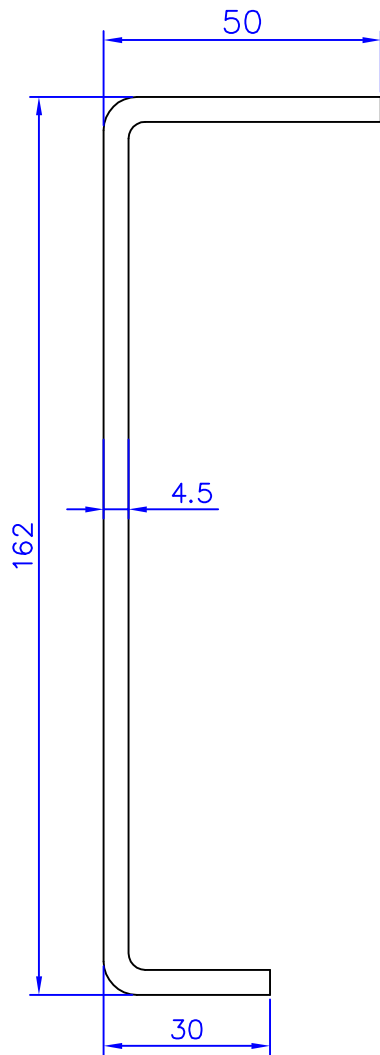


CIMC

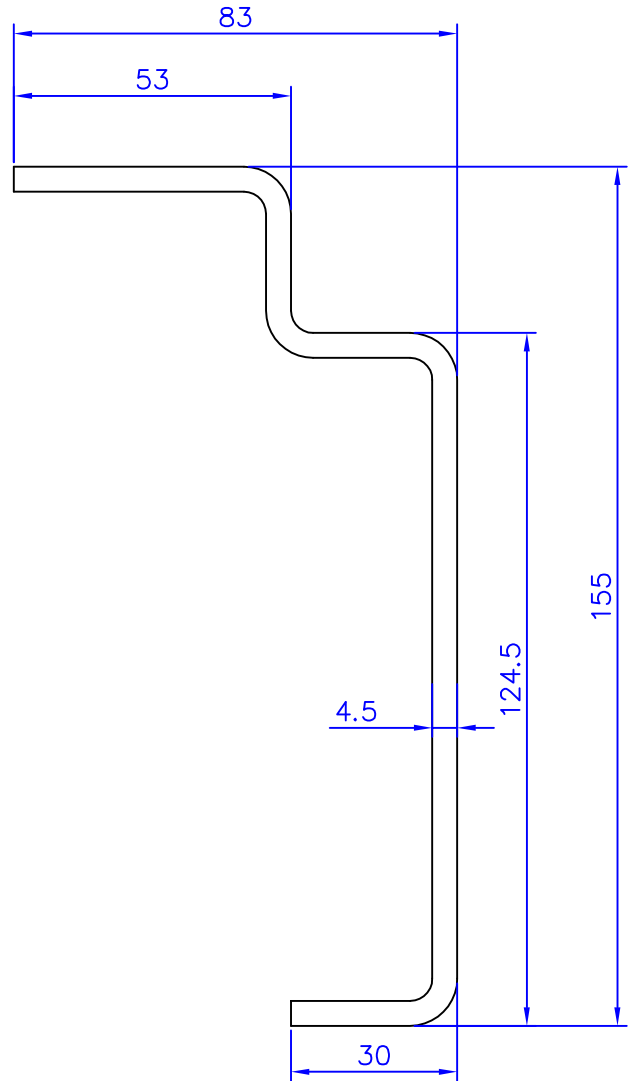


Authorized Distributor:
Pacific Marine & Industrial
www.pacificmarine.net
info@pacificmarine.net

CIMC-D08-01C "C" Type

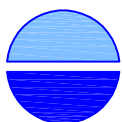


CIMC-D08-02 "Double Z" Type



PART NO.	SPEC	WEIGHT
CIMC-D08-01C	4.5X50X162X30X5702	44.716
CIMC-D08-02	4.5X50X155X30X5702	48.342

TITLE	Bottom Side Rail 底侧梁	WEIGHT	KGS		
SPEC	4.5X50X162/155X30X5702	MATERIAL	CORTEN		
PART NO.	CIMC-D08-01C/02	UNIT	mm	PAGE NO.	14

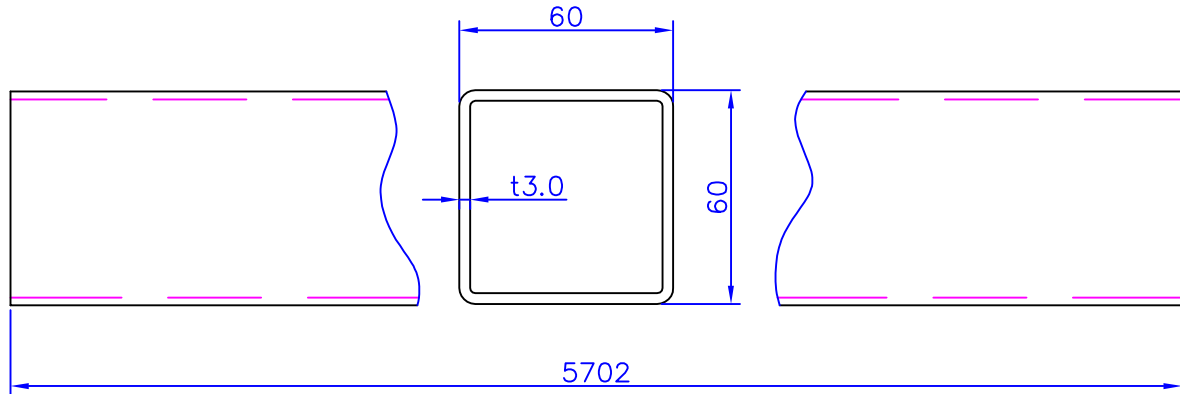


CIMC

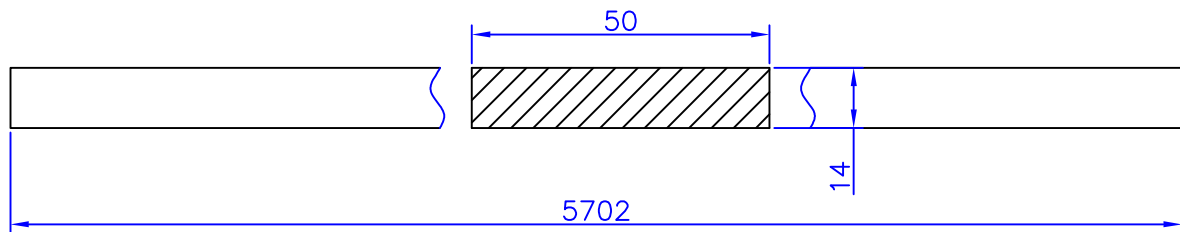


Authorized Distributor:
Pacific Marine & Industrial
www.pacificmarine.net
info@pacificmarine.net

CIMC-D09-01A Square Tube 方管

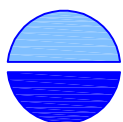


CIMC-D09-02C Flat Steel 扁钢



PART NO.	SPEC	MATERIAL	WEIGHT
CIMC-D09-01A	3.0X60X60X5702	CORTEN	32.479
CIMC-D09-02C	14X50X5702	Q235	32.510

TITLE	Top Side Rail 顶纵梁	WEIGHT	KGS		
SPEC		MATERIAL	CORTEN & Q235		
PART NO.	CIMC-D09-01A/02C	UNIT	mm	PAGE NO.	15

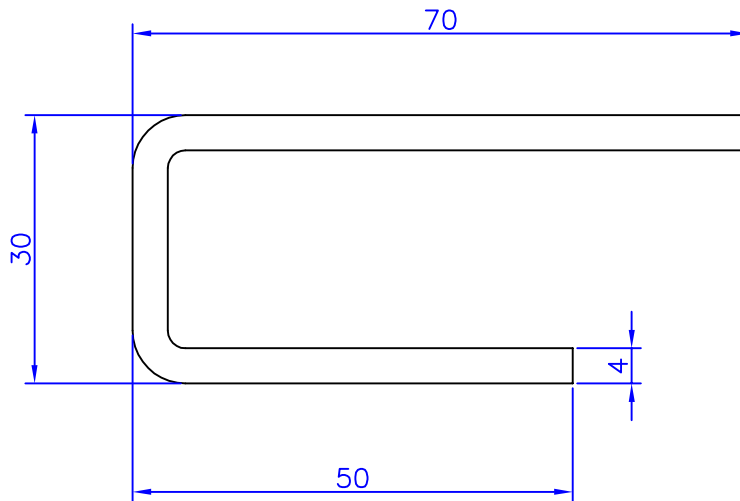


CIMC

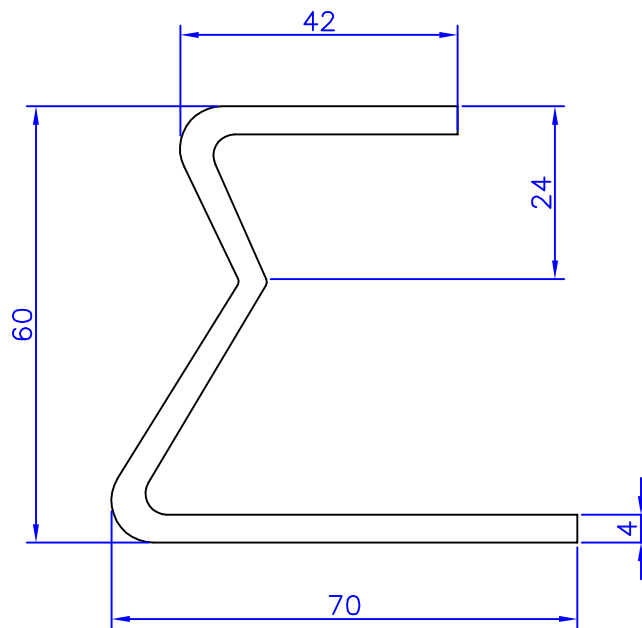


Authorized Distributor:
Pacific Marine & Industrial
www.pacificmarine.net
info@pacificmarine.net

CIMC-D09-03 "U" Type

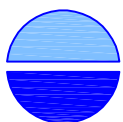


CIMC-D09-04 "W" Type



PART NO.	SPEC	WEIGHT
CIMC-D09-03	T=4.0 L=2400 U型	10.174
CIMC-D09-04	T=4.0 L=2400 W型	12.434

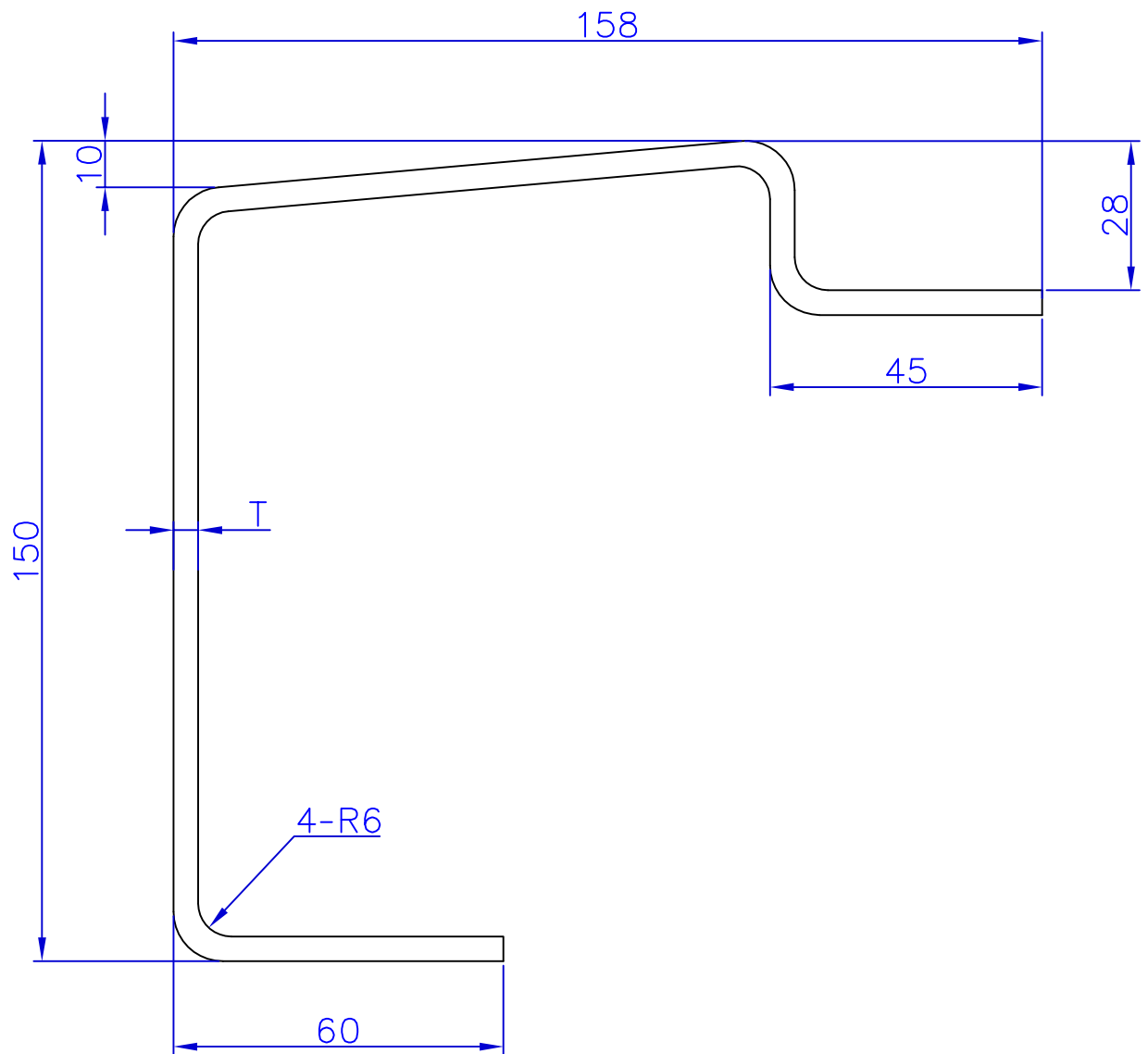
TITLE	Top Side Rail 顶纵梁	WEIGHT	KGS		
SPEC	T=4.0 L=2400	MATERIAL	CORTEN		
PART NO.	CIMC-D09-03/04	UNIT	mm	PAGE NO.	16



CIMC

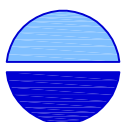


Authorized Distributor:
Pacific Marine & Industrial
www.pacificmarine.net
info@pacificmarine.net



PART NO.	SPEC	WEIGHT
CIMC-D10-01	4.5X158X150X2400	30.690
CIMC-D10-01-4	4.0X158X150X2400	27.280

TITLE	Door Sill 后底梁	WEIGHT	KGS		
SPEC	TX158X150X2400	MATERIAL	CORTEN		
PART NO.	CIMC-D10-01/01-4	UNIT	mm	PAGE NO.	17

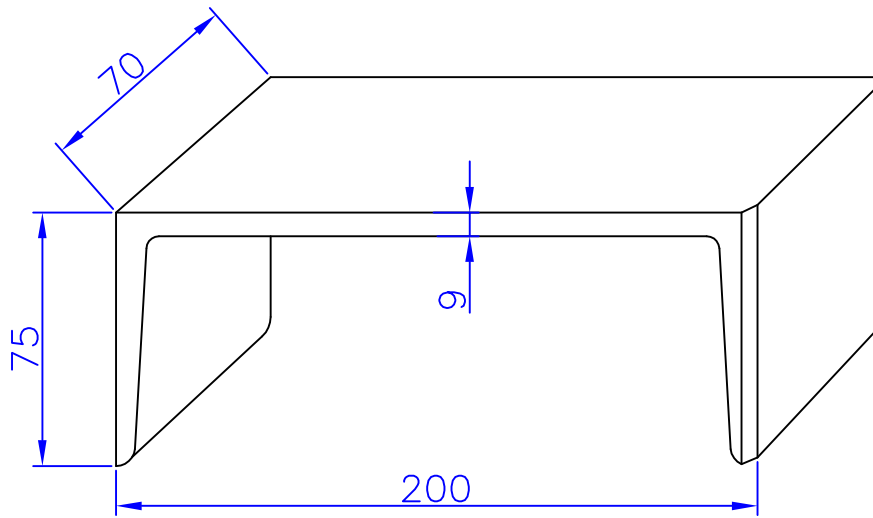


CIMC

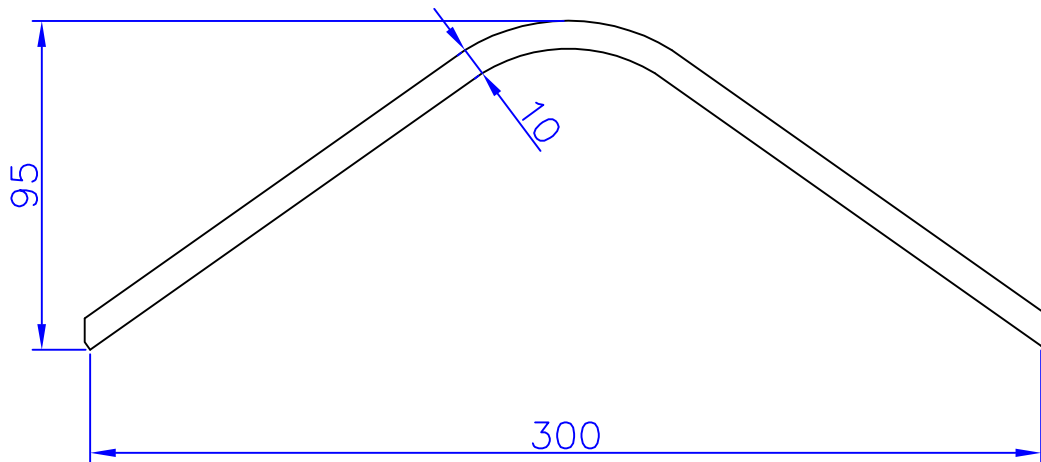


Authorized Distributor:
Pacific Marine & Industrial
www.pacificmarine.net
info@pacificmarine.net

CIMC-D10-03 "C" Channel

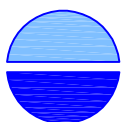


CIMC-D10-04 "V" Channel



PART NO.	SPEC	WEIGHT
CIMC-D10-03	9.0X200X75X7.0	1.720
CIMC-D10-04	10X300X95X7.0	2.086

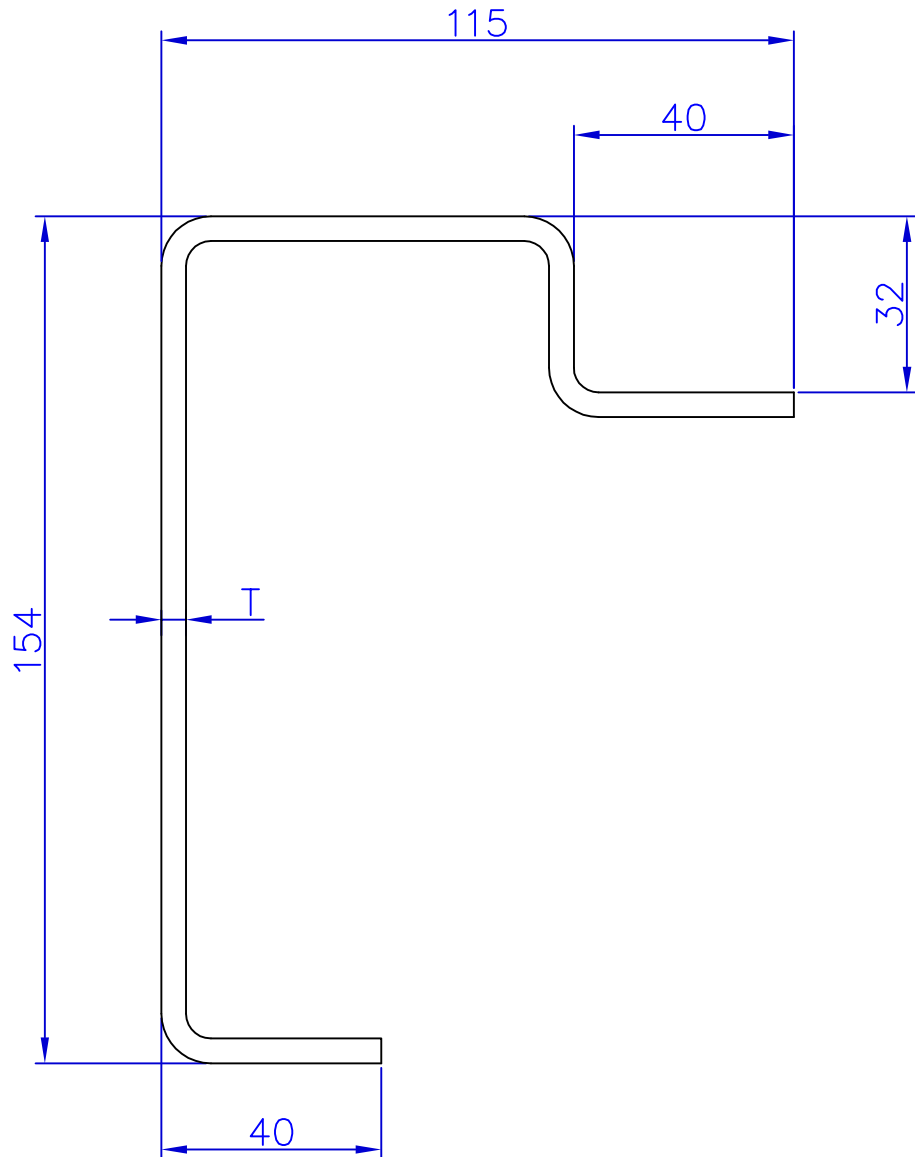
TITLE	"C" Channel / "V" Channel 防撞槽钢	WEIGHT	KGS		
SPEC		MATERIAL	SS400		
PART NO.	CIMC-D10-03/04	UNIT	mm	PAGE NO.	18



CIMC

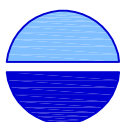


Authorized Distributor:
Pacific Marine & Industrial
www.pacificmarine.net
info@pacificmarine.net



PART NO.	SPEC	WEIGHT
CIMC-D11-01	4.5X115X154X2400	26.621
CIMC-D11-01-11	4.0X115X154X2400	23.889

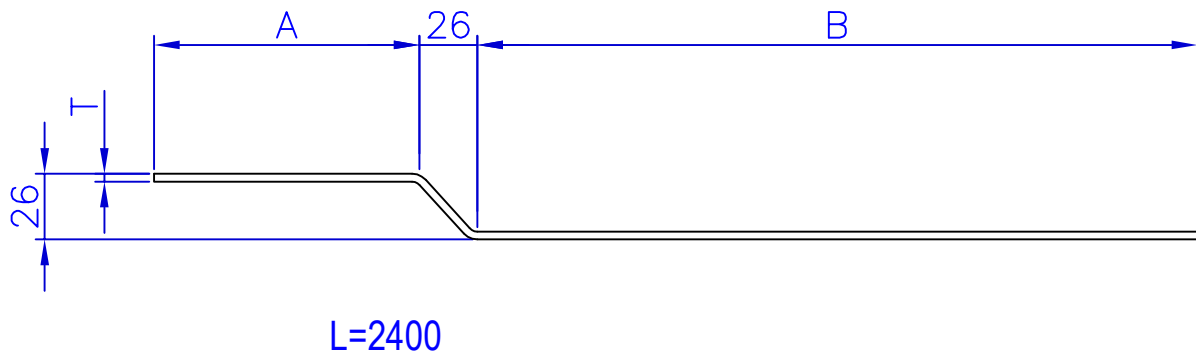
TITLE	Front Bottom Rail 前底梁	WEIGHT	KGS		
SPEC	TX115X154X2400	MATERIAL	CORTEN		
PART NO.	CIMC-D11-01/01-11	UNIT	mm	PAGE NO.	19



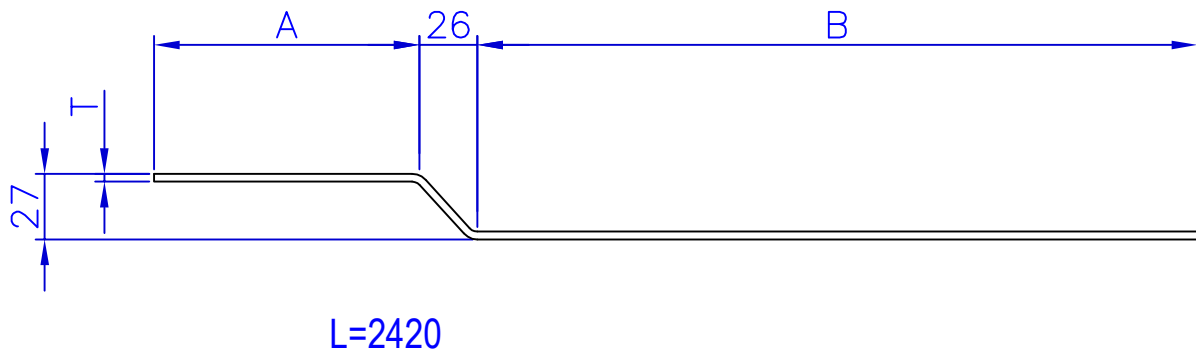
CIMC



Authorized Distributor:
Pacific Marine & Industrial
www.pacificmarine.net
info@pacificmarine.net

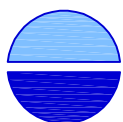


PART NO.	SPEC	T	A	B	WEIGHT
CIMC-D12-01	3.0X100X26X277X2400	3.0	100	277	23.117
CIMC-D12-02	3.0X121X26X194X2400	3.0	121	194	19.612



PART NO.	SPEC	T	A	B	WEIGHT
CIMC-D12-03	4.0X95X26X304.8X2420	4.0	95	304.8	32.736

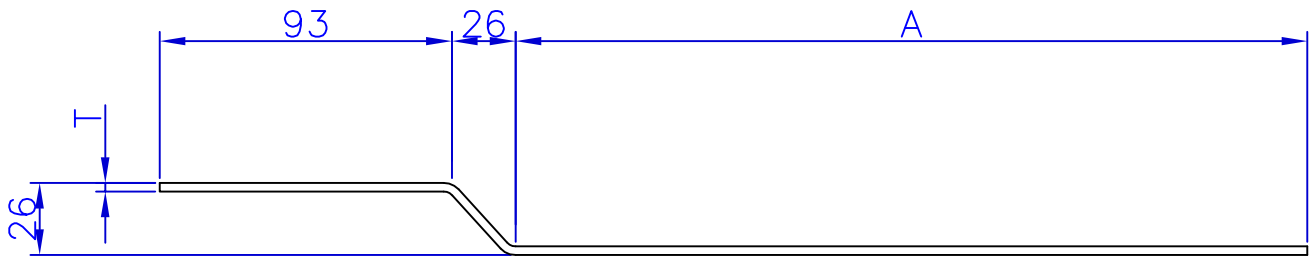
TITLE	Top end rail 前顶横梁	WEIGHT		KGS	
SPEC	TXAX26BXL	MATERIAL		CORTEN	
PART NO.	CIMC-D12	UNIT	mm	PAGE NO.	20



CIMC

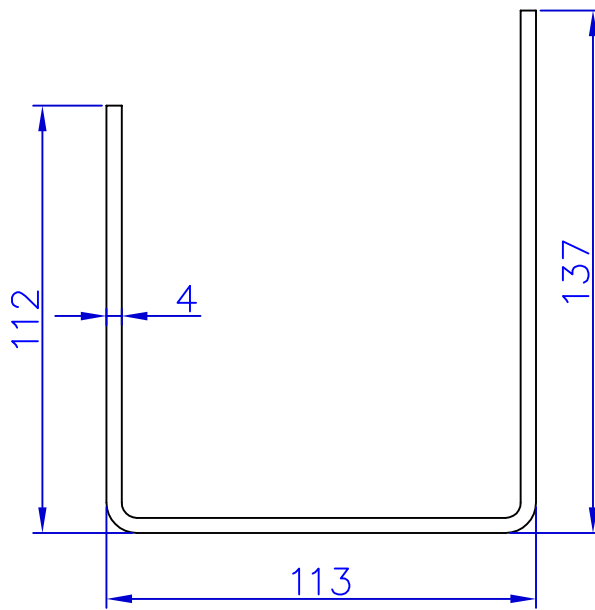


Authorized Distributor:
Pacific Marine & Industrial
www.pacificmarine.net
info@pacificmarine.net



L=2400

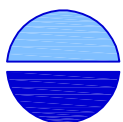
PART NO.	SPEC	T	A	WEIGHT
CIMC-D13-01	3.0X93X26X275X2400	3.0	275	22.608
CIMC-D13-02	3.0X93X26X227X2400	3.0	227	19.895



L=2400

PART NO.	SPEC	WEIGHT
CIMC-D12-03	4.0X112X113X137X2400	26.150

TITLE	Door Header Upper/Lower 后顶横梁	WEIGHT	KGS		
SPEC		MATERIAL	CORTEN		
PART NO.	CIMC-D13	UNIT	mm	PAGE NO.	21

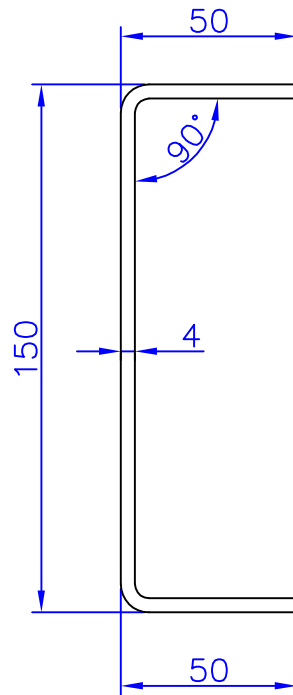


CIMC

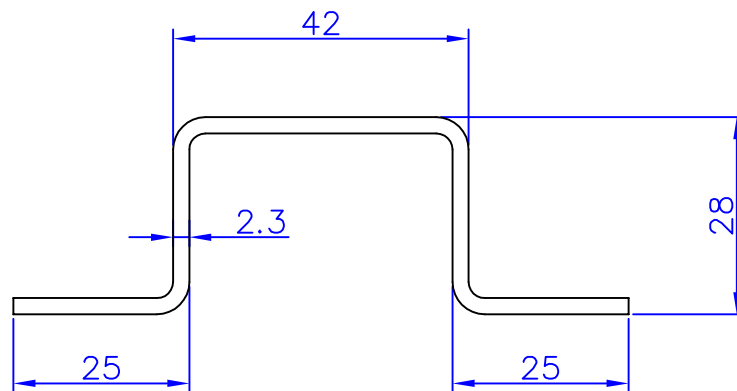


Authorized Distributor:
Pacific Marine & Industrial
www.pacificmarine.net
info@pacificmarine.net

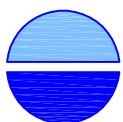
CIMC-D14-01 Door Rail 门水平梁 4.0X50X150X50X943



CIMC-D15-01 Floor Space 地板中心梁 2.3X42X28X25X3000



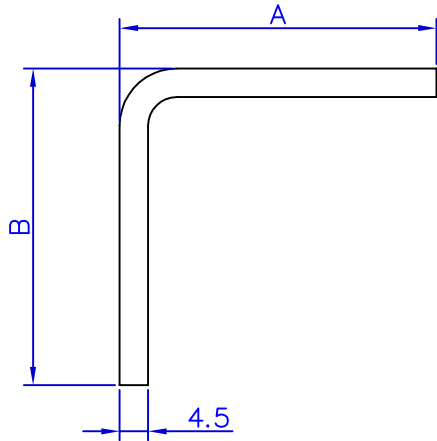
TITLE	Door Rail 门水平梁 / Floor Space 地板中心梁	WEIGHT	6.292 / 7.150 KGS		
SPEC		MATERIAL	CORTEN		
PART NO.	CIMC-D14/15-01	UNIT	mm	PAGE NO.	22



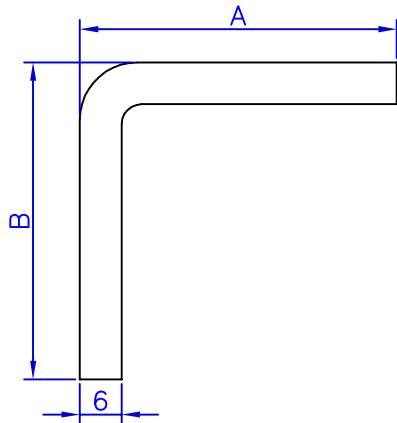
CIMC



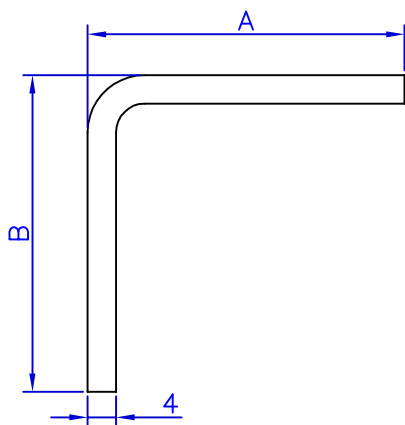
Authorized Distributor:
Pacific Marine & Industrial
www.pacificmarine.net
info@pacificmarine.net



PART NO.	A	B	WEIGHT
CIMC - D16 - 01A	50	30	6.019
CIMC - D16 - 01B	50	50	7.715
CIMC - D16 - 01C	90	60	11.954
CIMC - D16 - 01D	100	30	10.258
CIMC - D16 - 01E	100	40	11.106
CIMC - D16 - 01F	100	45	11.530
CIMC - D16 - 01G	100	50	11.954
CIMC - D16 - 01H	100	80	14.497
CIMC - D16 - 01I	110	45	12.378
CIMC - D16 - 01J	110	50	12.802
CIMC - D16 - 01K	115	45	12.802
CIMC - D16 - 01L	115	50	13.226
CIMC - D16 - 01M	120	30	11.954
CIMC - D16 - 01N	120	40	12.802
CIMC - D16 - 01O	120	45	13.226
CIMC - D16 - 01P	120	50	13.650
CIMC - D16 - 01Q	120	60	14.497
CIMC - D16 - 01R	120	80	16.193
CIMC - D16 - 01S	140	40	14.497
CIMC - D16 - 01T	150	60	17.719

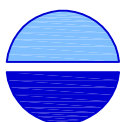


PART NO.	A	B	WEIGHT
CIMC - D16 - 02A	130	120	26.904
CIMC - D16 - 02B	100	100	21.252
CIMC - D16 - 02C	135	150	30.860
CIMC - D16 - 02D	50	30	1.922
CIMC - D16 - 02E	60	30	8.817
CIMC - D16 - 02F	55	35	8.817



PART NO.	A	B	WEIGHT
CIMC - D16 - 03A	50	30	5.426
CIMC - D16 - 03B	50	50	6.933
CIMC - D16 - 03C	90	60	10.701
CIMC - D16 - 03D	100	30	9.194
CIMC - D16 - 03E	110	45	11.078
CIMC - D16 - 03F	110	80	13.716
CIMC - D16 - 03G	115	45	11.455
CIMC - D16 - 03H	120	30	10.701
CIMC - D16 - 03I	140	40	12.962
CIMC - D16 - 03J	150	60	15.223

TITLE	Angle 角铁	WEIGHT	KGS		
SPEC	L=2400	MATERIAL	CORTEN		
PART NO.	CIMC-D16-0X	UNIT	mm	PAGE NO.	23

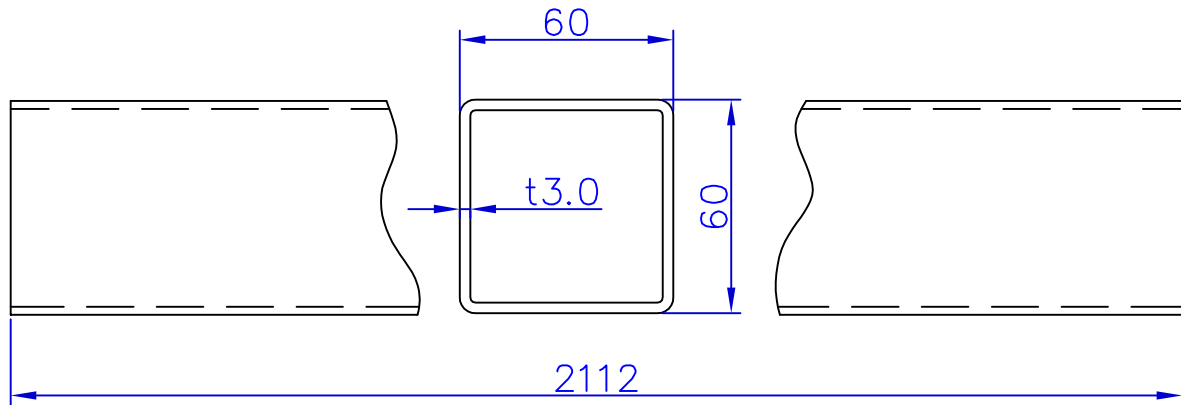


CIMC



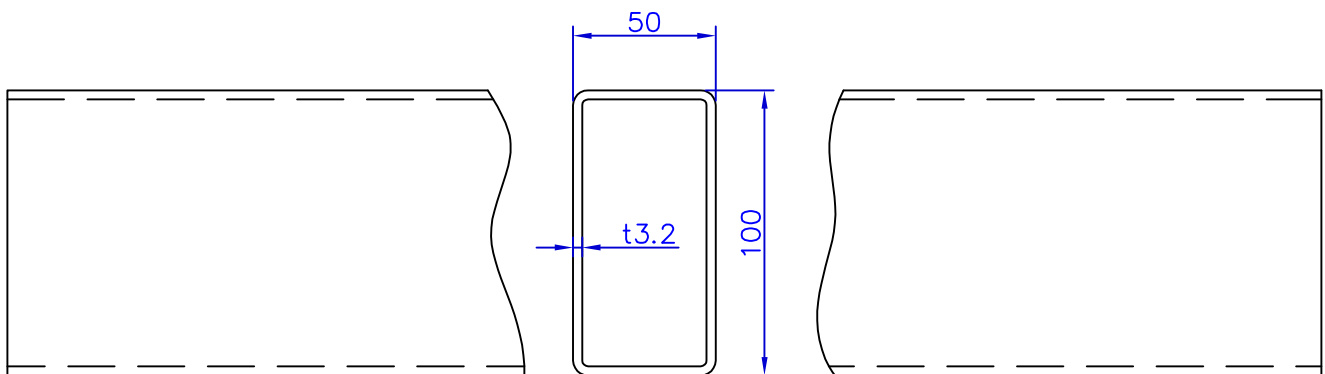
Authorized Distributor:
Pacific Marine & Industrial
www.pacificmarine.net
info@pacificmarine.net

Top / Bottom End Rail (Square Tube) 前顶/底梁



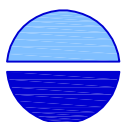
PART NO.	SPEC	WEIGHT
CIMC-D17-01A	3.0X60X60X2112	12.070

Door Edge Member 门立柱



PART NO.	SPEC	WEIGHT
CIMC-D18-01A	3.2X50X100X2248	17.090
CIMC-D18-01B	3.2X50X100X2552	19.410

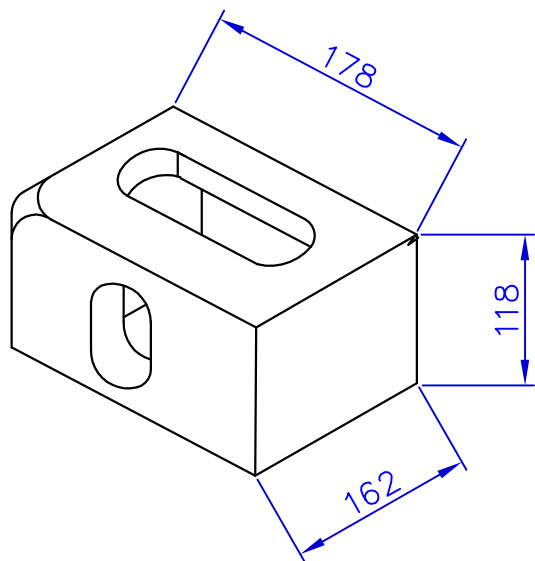
TITLE	Square Tube 前顶(底)梁/Door Edge Member 门立柱	WEIGHT	KGS		
SPEC		MATERIAL	CORTEN		
PART NO.	CIMC-D17/18	UNIT	mm	PAGE NO.	24



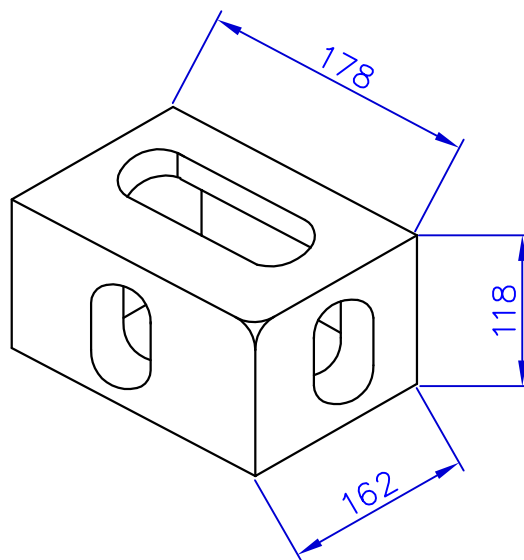
CIMC



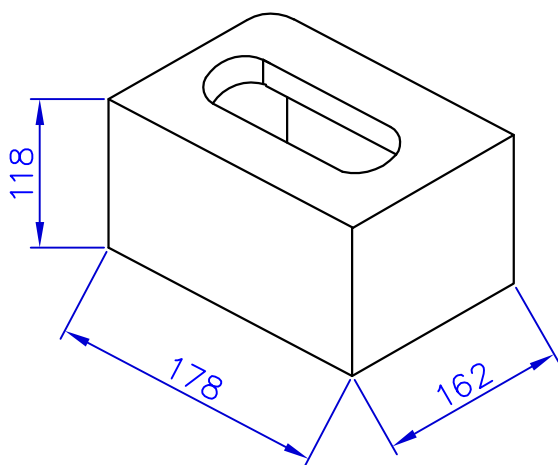
Authorized Distributor:
Pacific Marine & Industrial
 www.pacificmarine.net
 info@pacificmarine.net



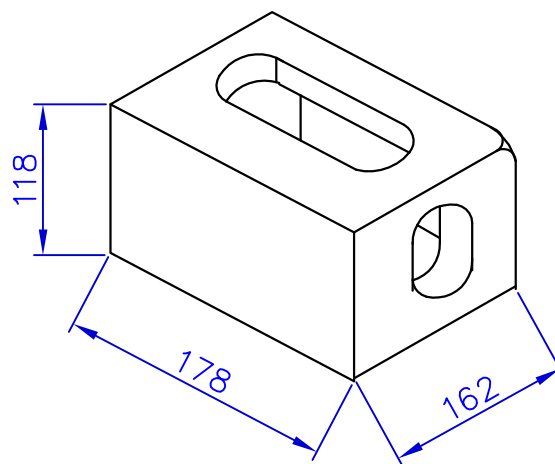
A



C



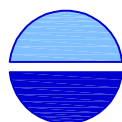
B



D

ITEM	DESCRIPTION
A	CIMC-D19-01-1 BL, FOR FRONT LOWER RH OR REAR LOWER LH POSTION
B	CIMC-D19-01-2 BR, FOR FRONT LOWER LH OR REAR LOWER RH POSTION
C	CIMC-D19-01-3 TL, FOR FRONT TOP RH OR REAR TOP LH POSTION
D	CIMC-D19-01-4 TR, FOR FRONT TOP LH OR REAR TOP RH POSTION

TITLE	Corner Casting 角件	WEIGHT	88.00 KGS		
SPEC	178X162X118	MATERIAL	SCW490		
PART NO.	CIMC-D19-01	UNIT	mm	PAGE NO.	25

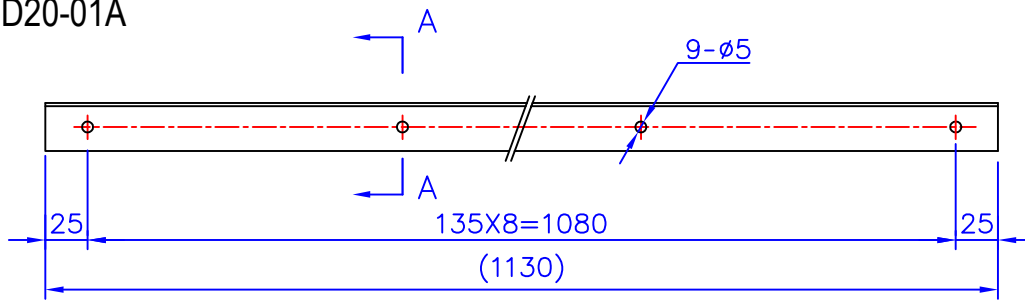


CIMC

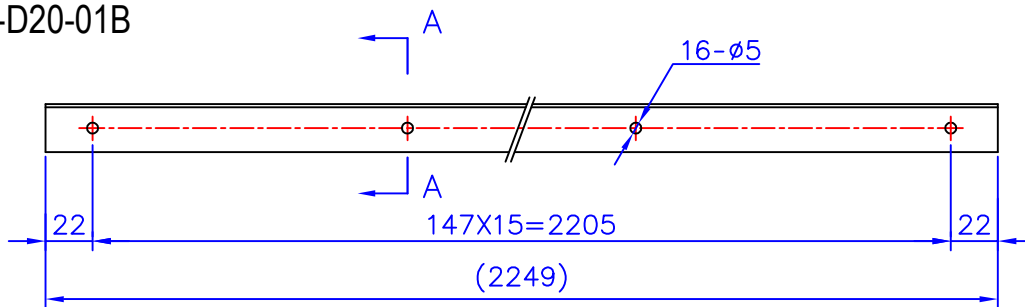


Authorized Distributor:
Pacific Marine & Industrial
www.pacificmarine.net
info@pacificmarine.net

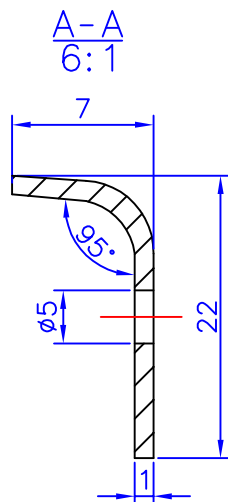
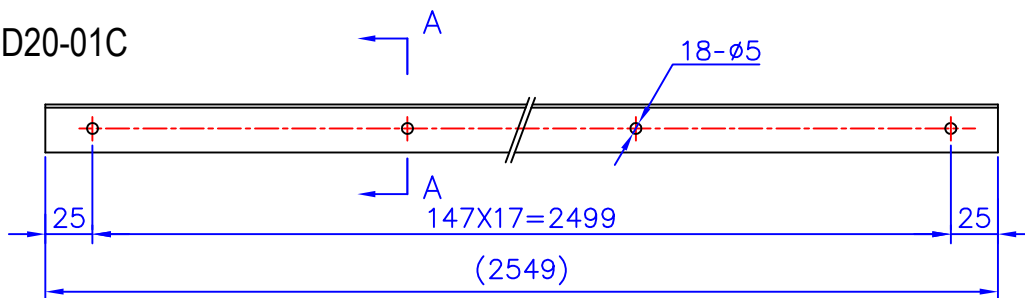
CIMC-D20-01A



CIMC-D20-01B

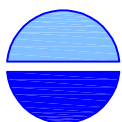


CIMC-D20-01C



1套/1SET		
水平	Horizongtal	4 PCS
竖直	Vertical	3 PCS

TITLE	Stainless Door Seal Retainer Strip 门压条	WEIGHT	0.150/0.305/0.305 KGS		
SPEC	1.0X22X7XL	MATERIAL	SUS304		
PART NO.	CIMC-D20-01A/B/C	UNIT	mm	PAGE NO.	26

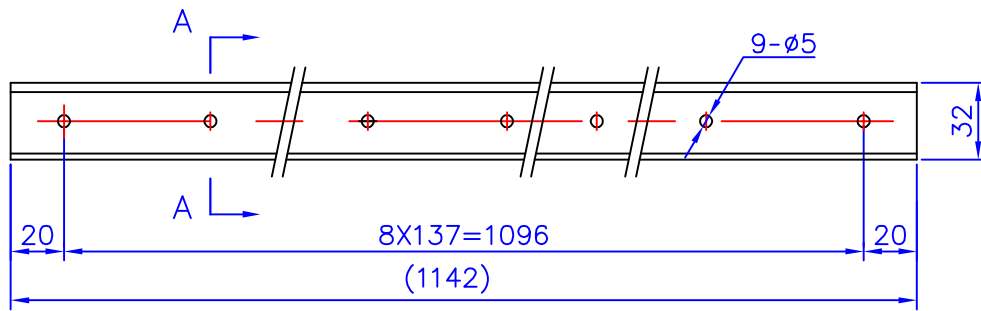


CIMC

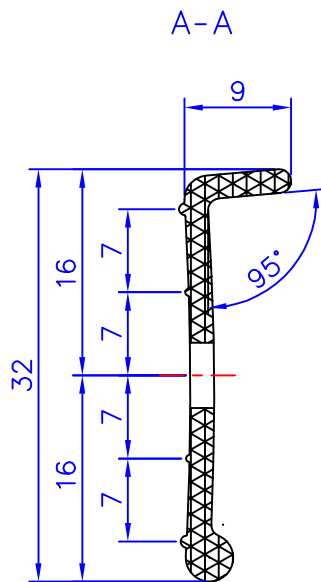
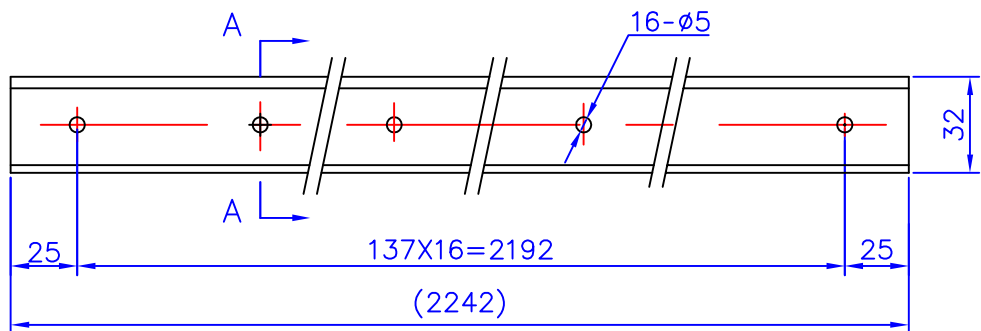


Authorized Distributor:
Pacific Marine & Industrial
www.pacificmarine.net
info@pacificmarine.net

CIMC-D20-03A

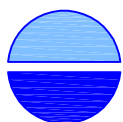


CIMC-D20-03B



1套/1SET		
水平	Horizongtal	4 PCS
竖直	Vertical	3 PCS

TITLE	Stainless Door Seal Retainer Strip 门压条	WEIGHT	KGS		
SPEC	2.0X32X9XL	MATERIAL	ABS		
PART NO.	CIMC-D20-03A/B	UNIT	mm	PAGE NO.	27

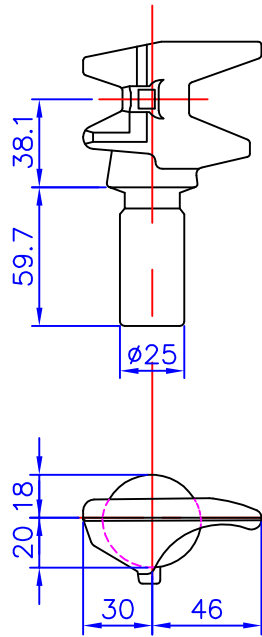


CIMC

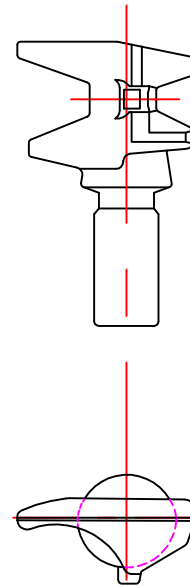


Authorized Distributor:
Pacific Marine & Industrial
 www.pacificmarine.net
 info@pacificmarine.net

Cam (LH/RH) 锁头(左/右)



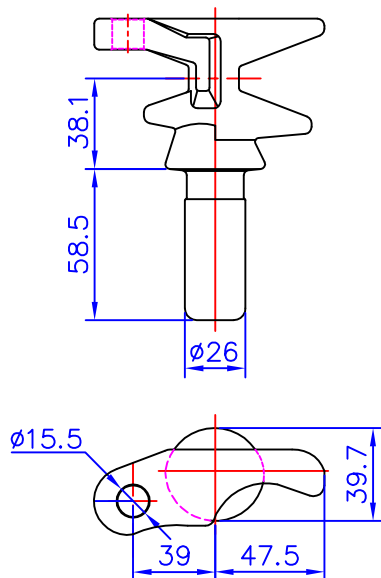
CIMC-D23-01B
RH(右)



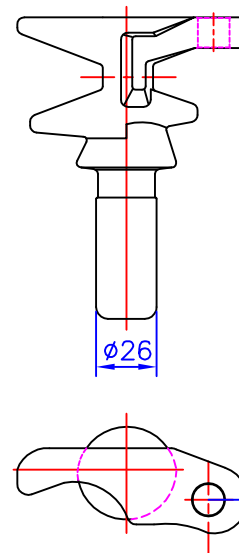
CIMC-D23-01A
LH(左)

Security Cam (LH/RH) 安全锁头(左/右)

仅世珍供货

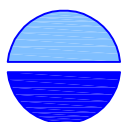


CIMC-D23-01C
RH(右)



CIMC-D23-01D
LH(左)

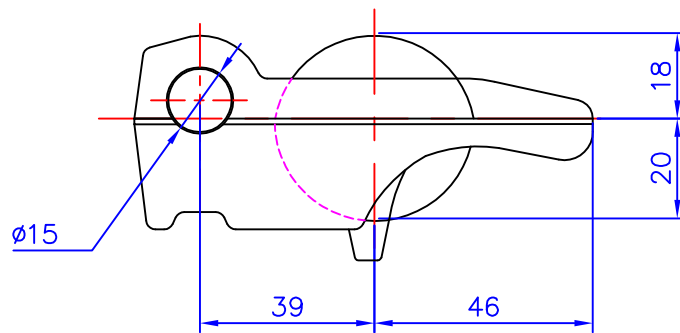
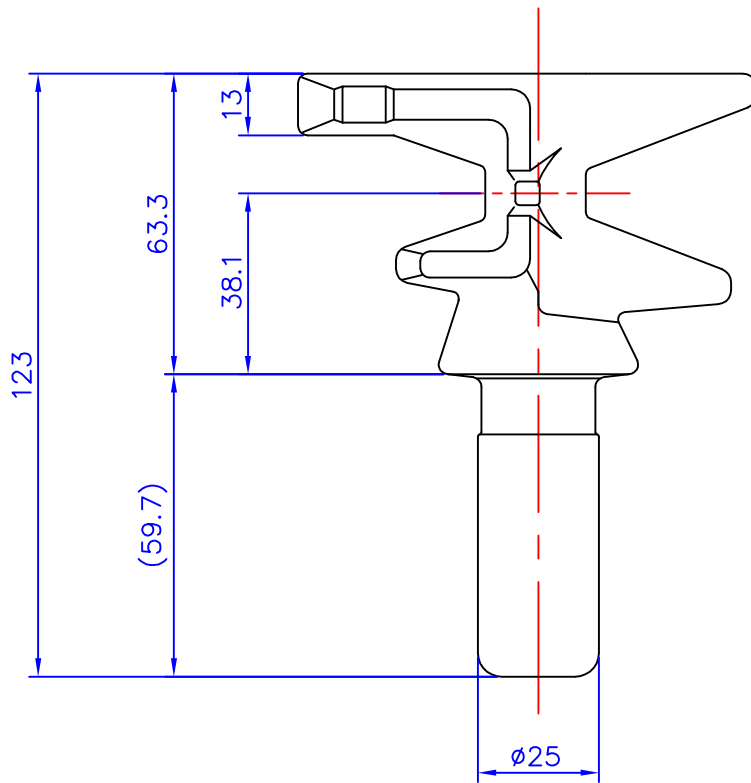
TITLE	Cam 锁头	WEIGHT	0.610/0.610/0.750/0.750 KGS		
SPEC		MATERIAL	SS400/Q235B		
PART NO.	CIMC-D23-01A/B/C/D	UNIT	mm	PAGE NO.	29



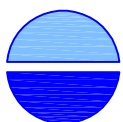
CIMC



Authorized Distributor:
Pacific Marine & Industrial
www.pacificmarine.net
info@pacificmarine.net



TITLE	Security Cam R.H 有孔锁头 (右)	WEIGHT	0.900 KGS		
SPEC	MAERSK 马士基型	MATERIAL	SS400/Q235B		
PART NO.	CIMC-D23-01G	UNIT	mm	PAGE NO.	30

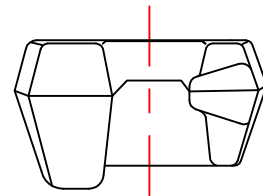
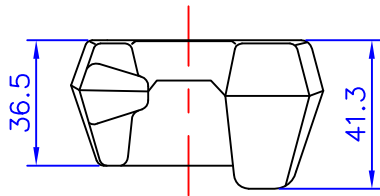
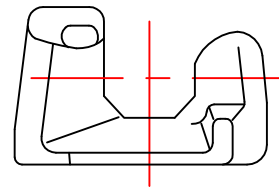
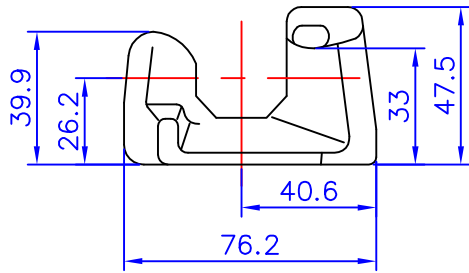


CIMC



Authorized Distributor:
Pacific Marine & Industrial
www.pacificmarine.net
info@pacificmarine.net

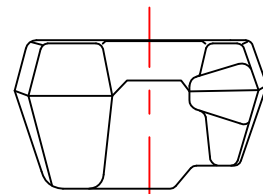
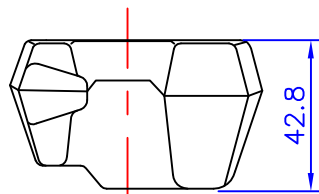
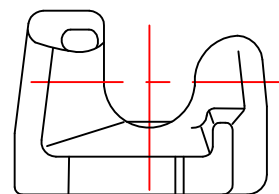
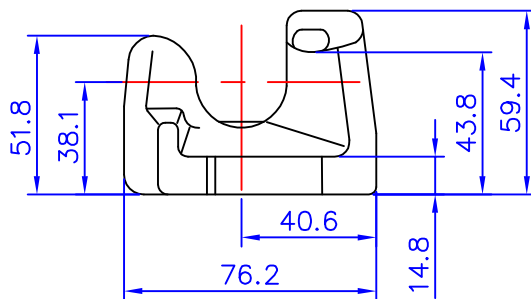
Keeper (LH/RH) 锁座 (左/右)
For Corrugated Door



CIMC-D23-02A
LH (左)

CIMC-D23-02B
RH (右)

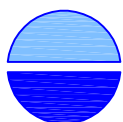
Keeper (LH/RH) 平门锁座 (左/右)
For Flat Door



CIMC-D23-02C
LH (左)

CIMC-D23-02D
RH (右)

TITLE	Keeper 锁座	WEIGHT	0.400/0.400/0.600/0.600 KGS		
SPEC		MATERIAL	SS400/Q235B		
PART NO.	CIMC-D23-02A/B/C/D	UNIT	mm	PAGE NO.	31



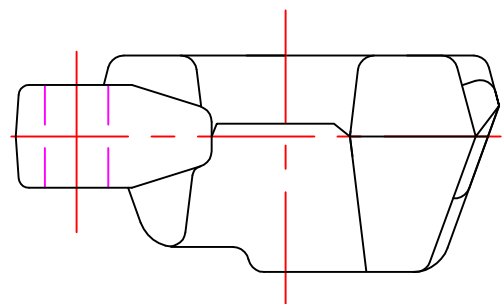
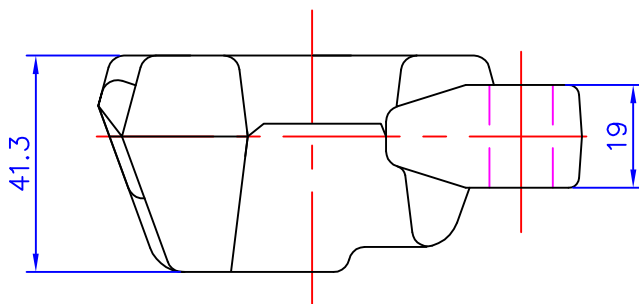
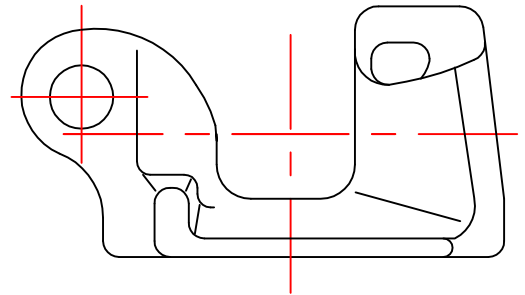
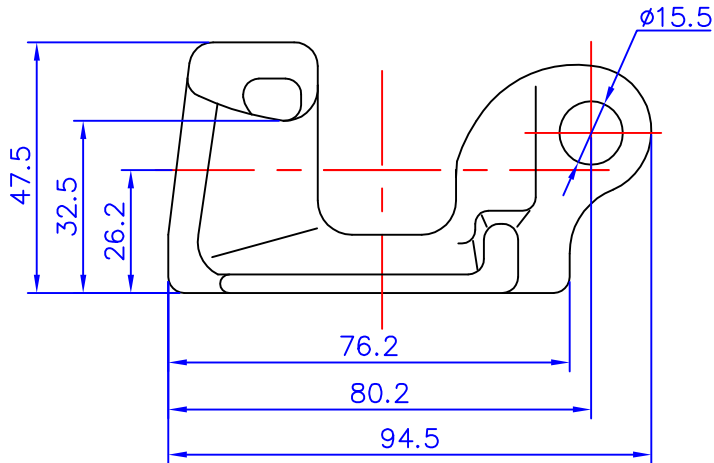
CIMC



Authorized Distributor:
Pacific Marine & Industrial
www.pacificmarine.net
info@pacificmarine.net

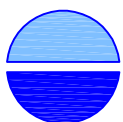
CIMC-D23-02E
RH(右)

CIMC-D23-02F
LH(左)



仅世珍供货

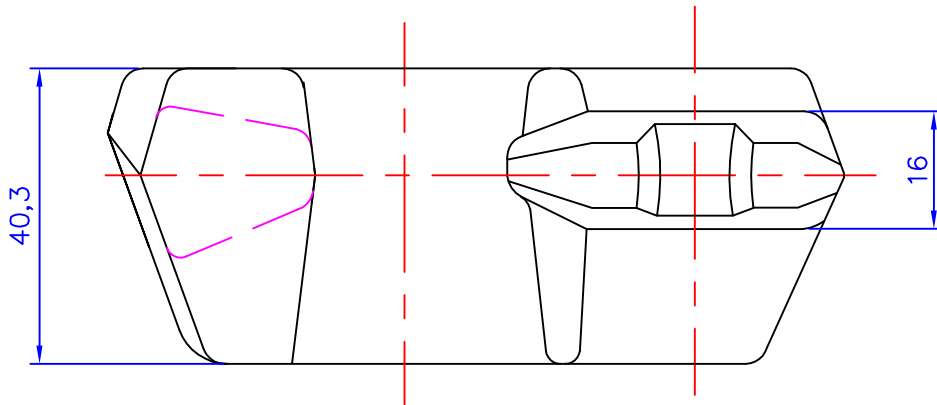
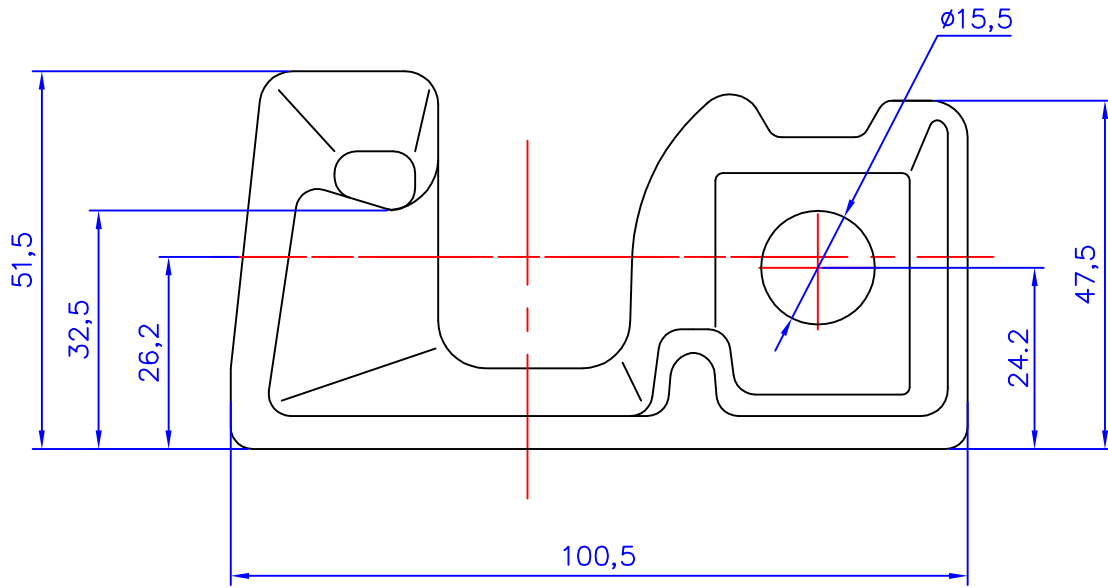
TITLE	Security Keeper (LH / RH) 安全锁座(左/右)	WEIGHT	0.450 KGS		
SPEC		MATERIAL	SS400/Q235B		
PART NO.	CIMC-D23-02E/F	UNIT	mm	PAGE NO.	32



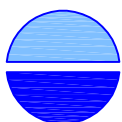
CIMC



Authorized Distributor:
Pacific Marine & Industrial
www.pacificmarine.net
info@pacificmarine.net



TITLE	Security Keeper (RH) 有孔锁座(右)	WEIGHT	0.600 KGS		
SPEC	Maersk Type 马士基型	MATERIAL	SS400/Q235B		
PART NO.	CIMC-D23-02G	UNIT	mm	PAGE NO.	33

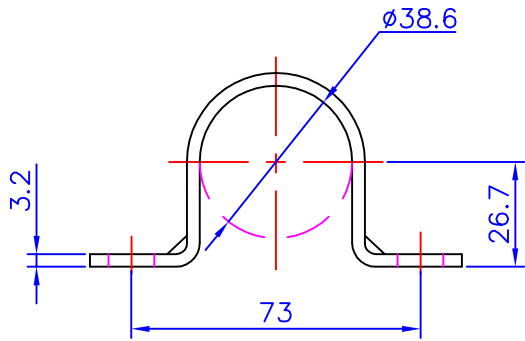


CIMC

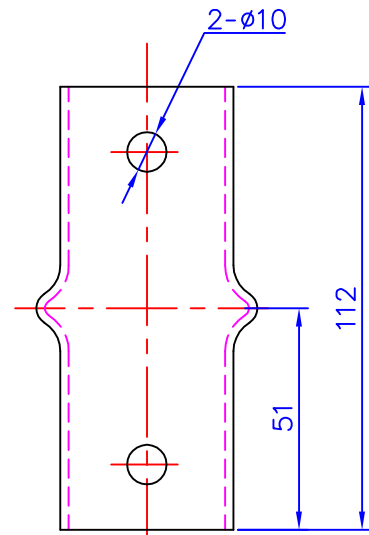
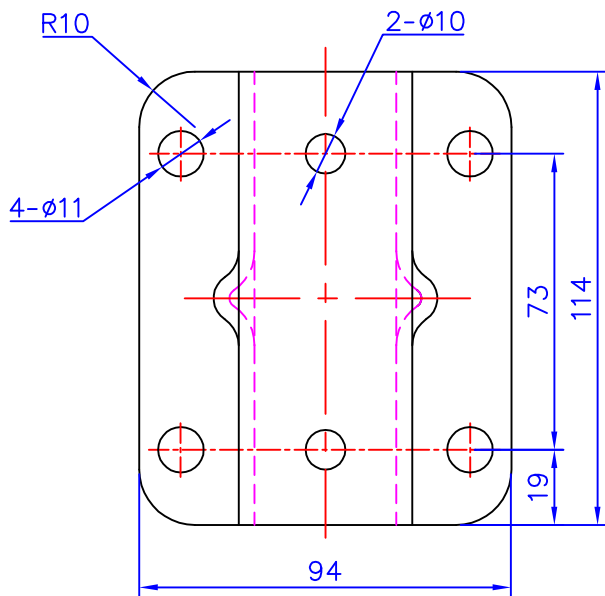
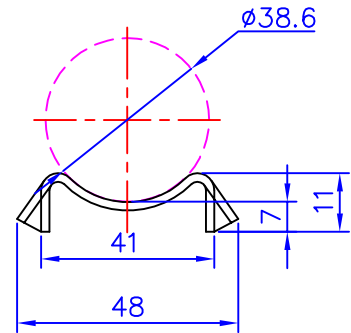


Authorized Distributor:
Pacific Marine & Industrial
www.pacificmarine.net
info@pacificmarine.net

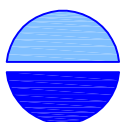
Bearing Bracket Outer L 大托架 (外)
CIMC-D23-03



Bearing Bracket Inner L 大托架 (内)
CIMC-D23-04



TITLE	Bearing Bracket L 大托架外/内	WEIGHT	0.430/0.090 KGS		
SPEC		MATERIAL	SS400/Q235B		
PART NO.	CIMC-D23-03/04	UNIT	mm	PAGE NO.	34

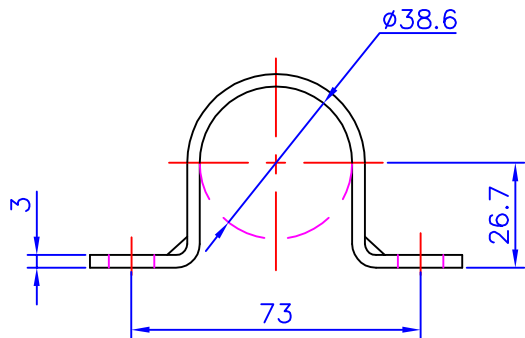


CIMC

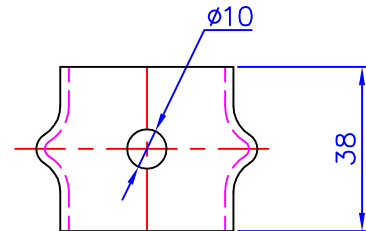
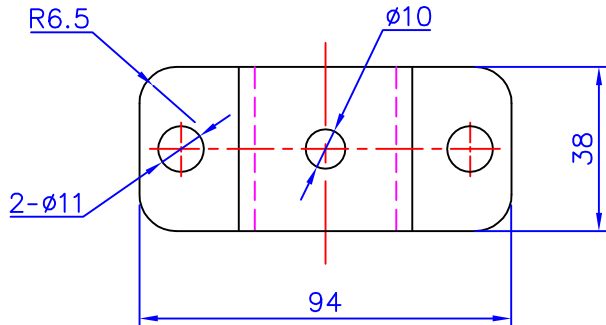
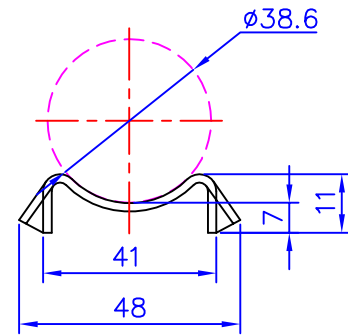


Authorized Distributor:
Pacific Marine & Industrial
www.pacificmarine.net
info@pacificmarine.net

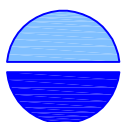
Bearing Bracket Outer S 小托架 (外)
CIMC-D23-05



Bearing Bracket Inner S 小托架 (内)
CIMC-D23-06



TITLE	Bearing Bracket S 小托架外/内	WEIGHT	0.120/0.030 KGS		
SPEC		MATERIAL	SS400/Q235B		
PART NO.	CIMC-D23-05/06	UNIT	mm	PAGE NO.	35

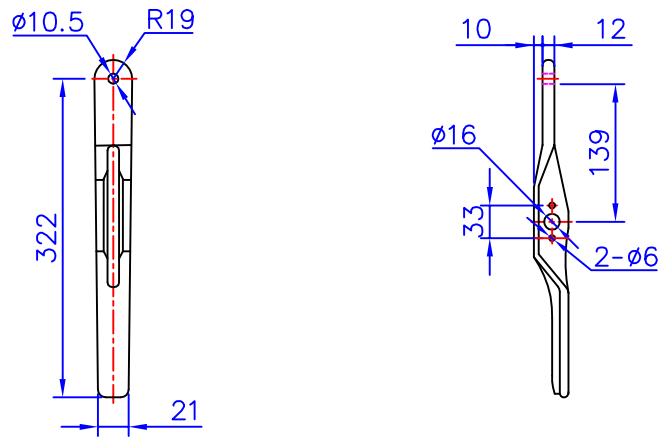


CIMC

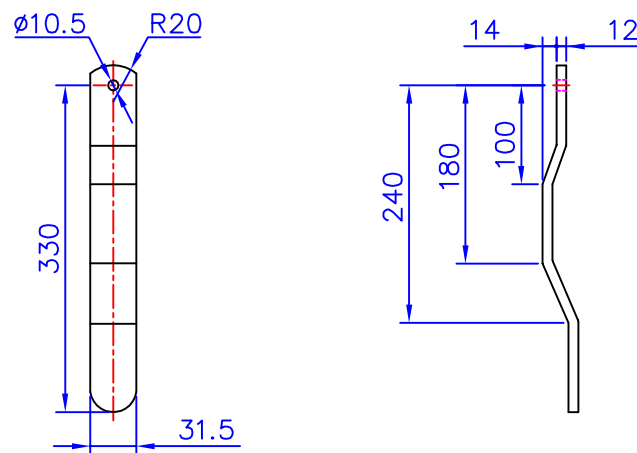


Authorized Distributor:
Pacific Marine & Industrial
www.pacificmarine.net
info@pacificmarine.net

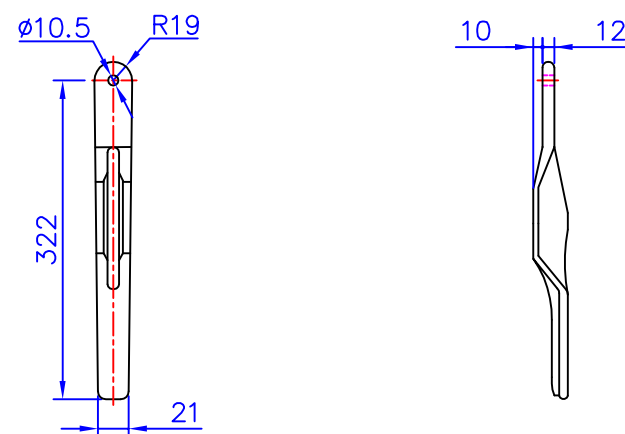
CIMC-D23-07A
Forging Type 花式



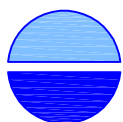
CIMC-D23-07B
Press Type 平式



CIMC-D23-07C
Forging Type (Without Hole)
花式无孔



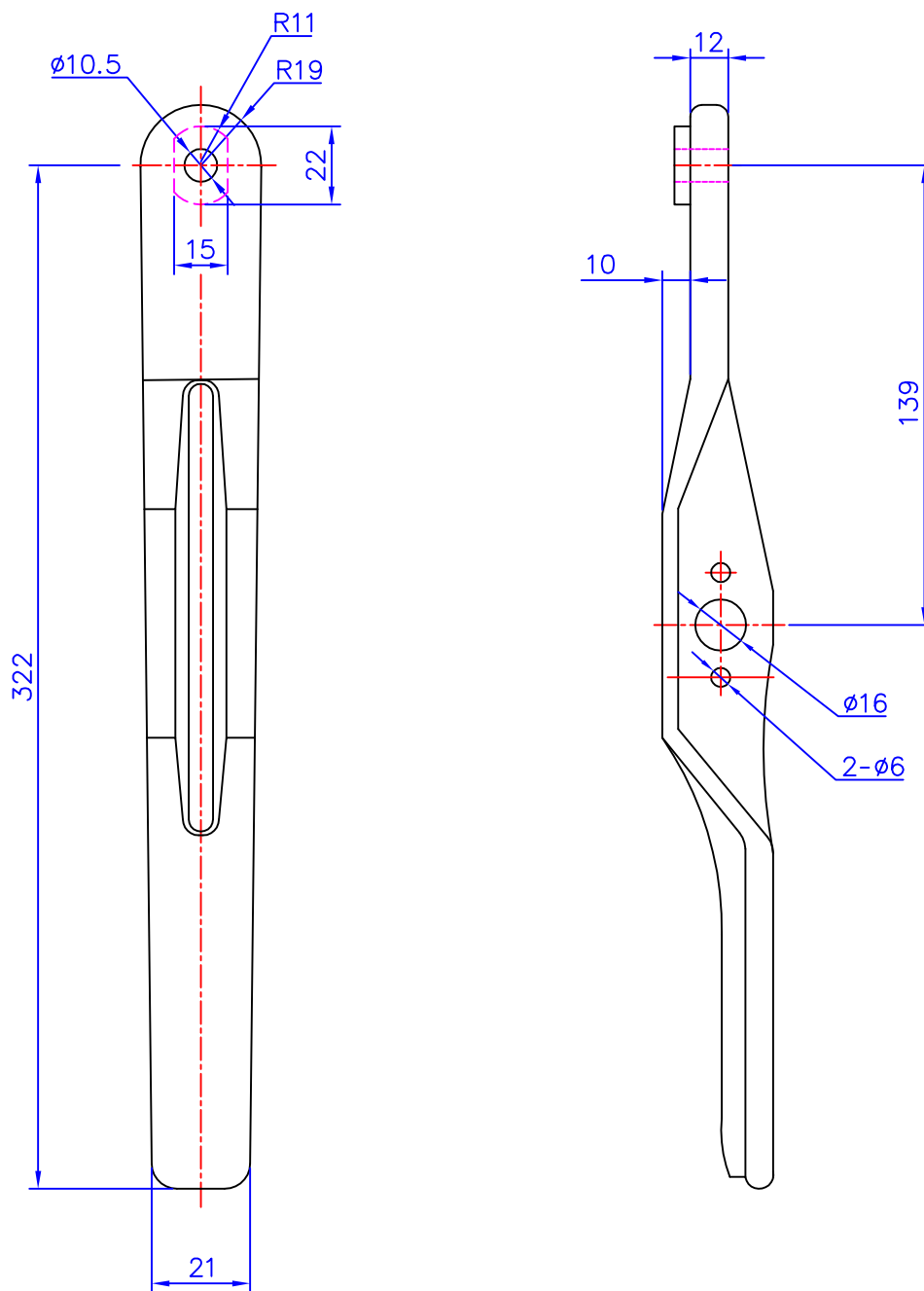
TITLE	Handle 手柄	WEIGHT	0.870/0.980/0.870 KGS		
SPEC		MATERIAL	SS400/Q235B		
PART NO.	CIMC-D23-07A/B/C	UNIT	mm	PAGE NO.	36



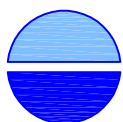
CIMC



Authorized Distributor:
Pacific Marine & Industrial
www.pacificmarine.net
info@pacificmarine.net



TITLE	Handle ET型防盗手柄	WEIGHT	0.840 KGS		
SPEC	ET Security Type	MATERIAL	SS400/Q235B		
PART NO.	CIMC-D23-07E	UNIT	mm	PAGE NO.	37

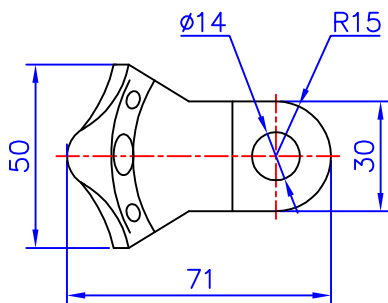
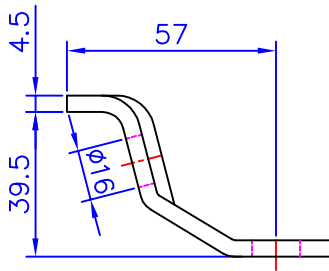


CIMC

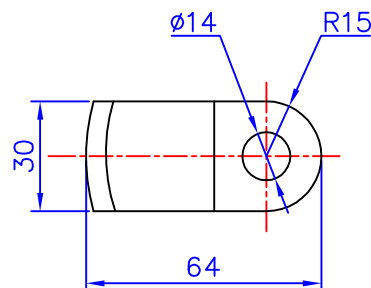
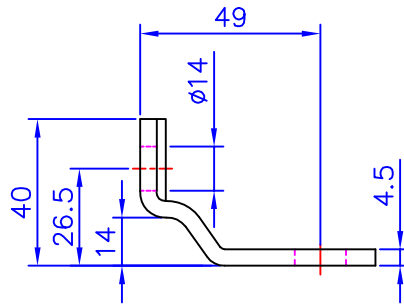


Authorized Distributor:
Pacific Marine & Industrial
www.pacificmarine.net
info@pacificmarine.net

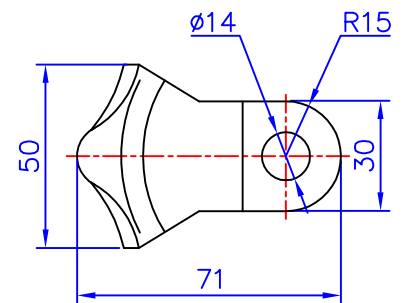
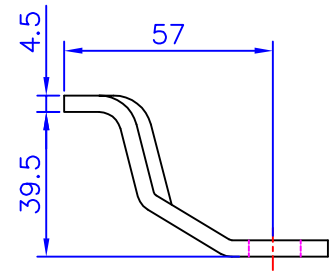
CIMC-D23-08A
 Forging Type
 配花式门手柄



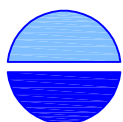
CIMC-D23-08B
 Press Type
 配平式门手柄



CIMC-D23-08C
 Forging Type (Without Hole)
 配花式无孔门手柄



TITLE	Retainer Catch 托架盖	WEIGHT	0.090/0.078/0.088 KGS		
SPEC		MATERIAL	SS400/Q235B		
PART NO.	CIMC-D23-08A/B/C	UNIT	mm	PAGE NO.	38

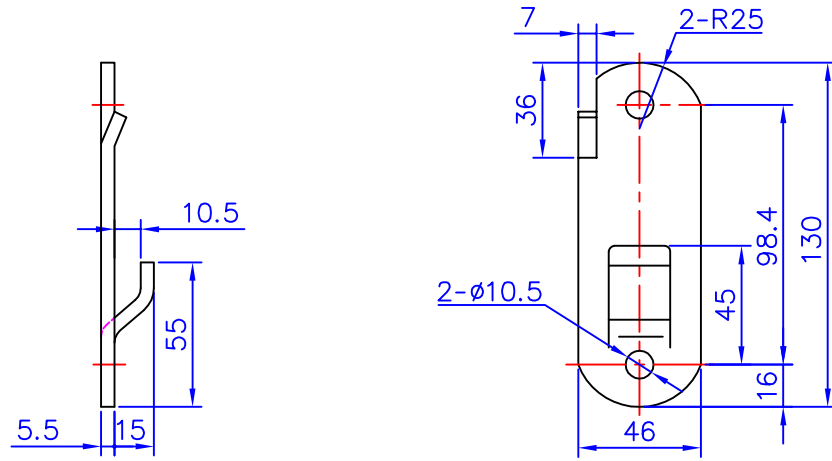


CIMC

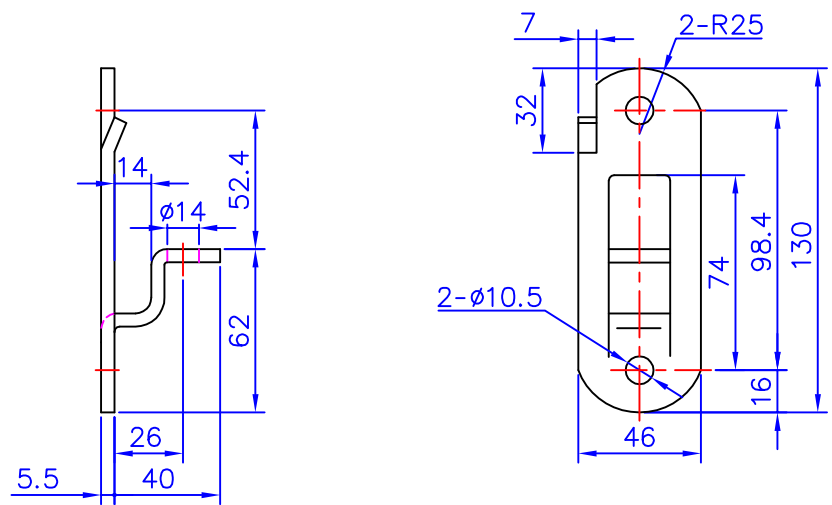


Authorized Distributor:
 Pacific Marine & Industrial
 www.pacificmarine.net
 info@pacificmarine.net

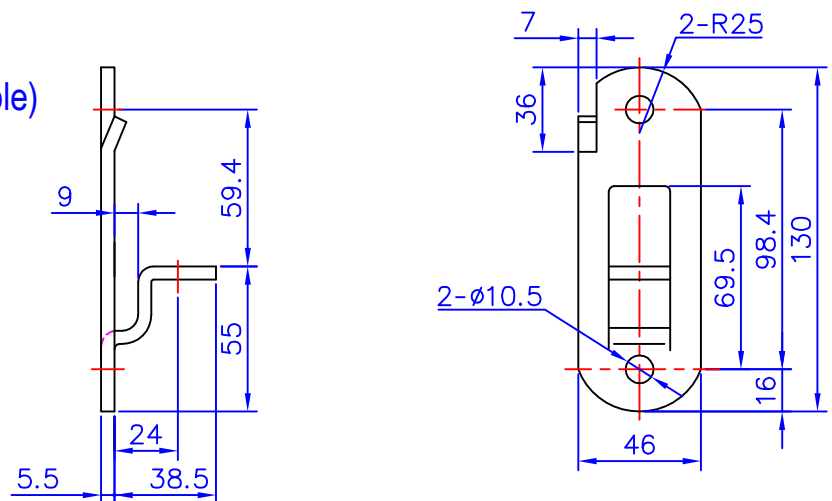
CIMC-D23-09A
 Forging Type
 配花式门手柄



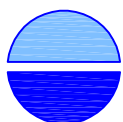
CIMC-D23-09B
 Press Type
 配平式门手柄



CIMC-D23-09C
 Forging Type (Without Hole)
 配花式无孔门手柄



TITLE	Retainer Plate 托架座	WEIGHT	0.020/0.196/0.196 KGS		
SPEC		MATERIAL	SS400/Q235B		
PART NO.	CIMC-D23-09A/B/C	UNIT	mm	PAGE NO.	39

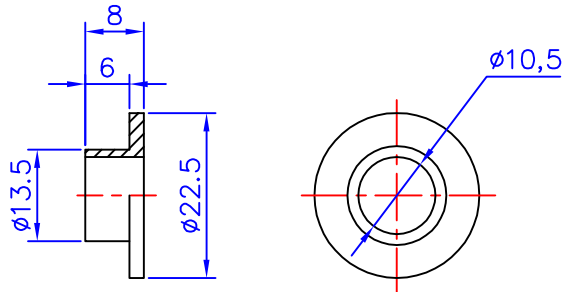


CIMC

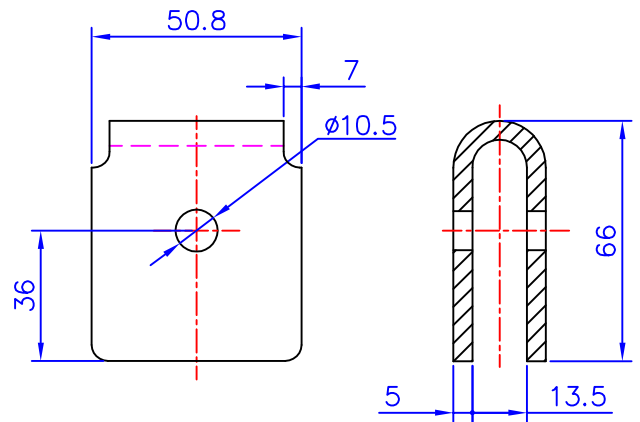


Authorized Distributor:
 Pacific Marine & Industrial
 www.pacificmarine.net
 info@pacificmarine.net

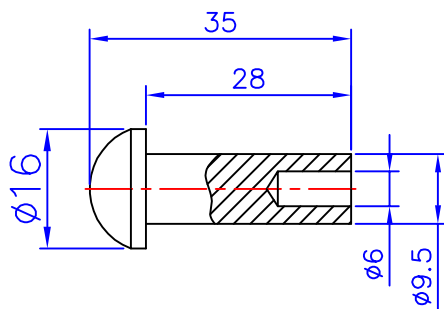
CIMC-D23-10
Bush 杯型垫圈



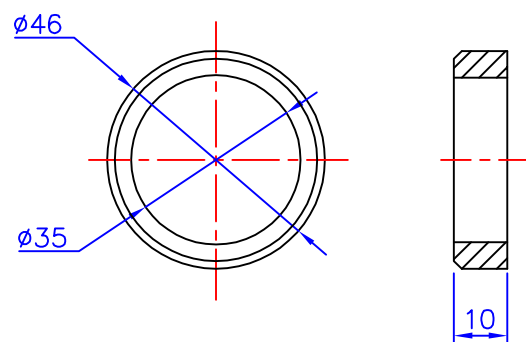
CIMC-D23-11
Handle Hub 扳手座



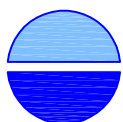
CIMC-D23-12
River 把手铆钉



CIMC-D23-13
Anti-Rack Ring 定位环



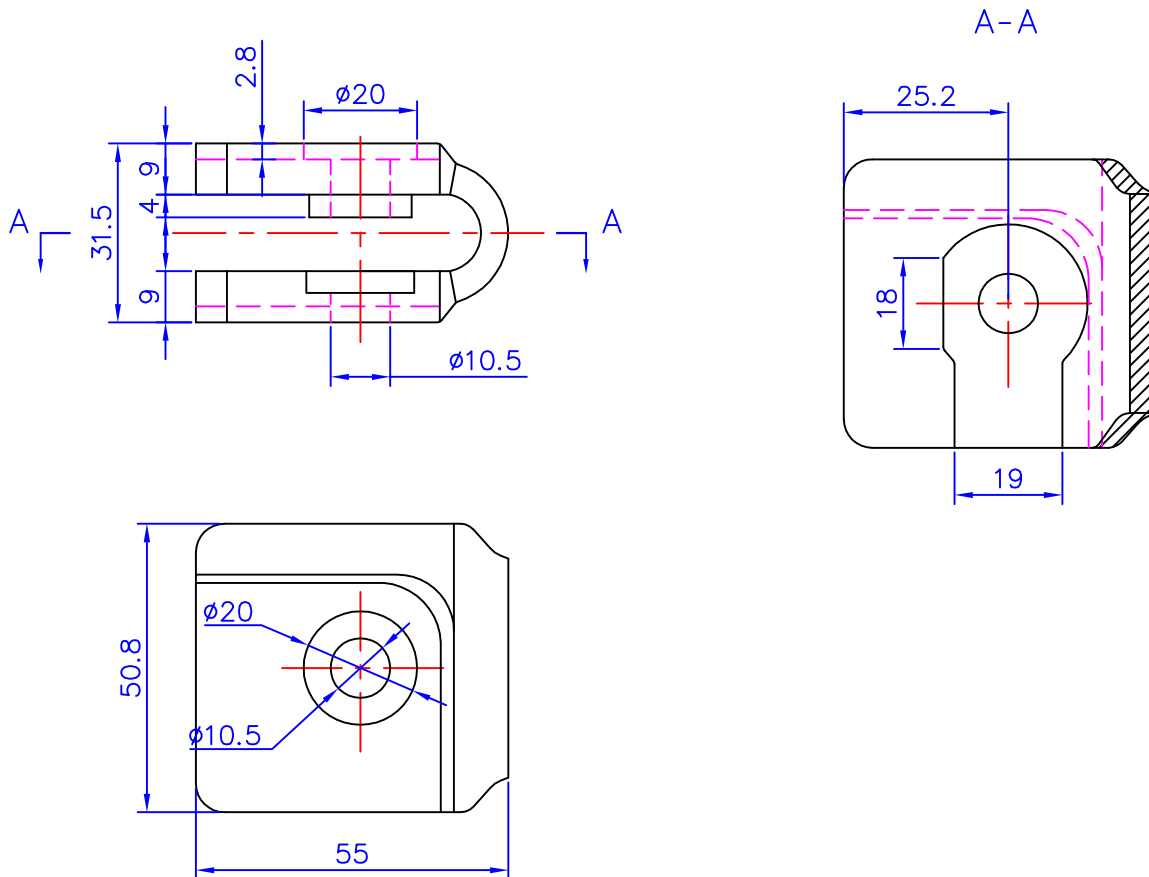
TITLE	Door Hardware 门锁零件	WEIGHT	0.007/0.178/0.022/0.058 KGS		
SPEC		MATERIAL	SS400/Q235B		
PART NO.	CIMC-D23-10/11/12/13	UNIT	mm	PAGE NO.	40



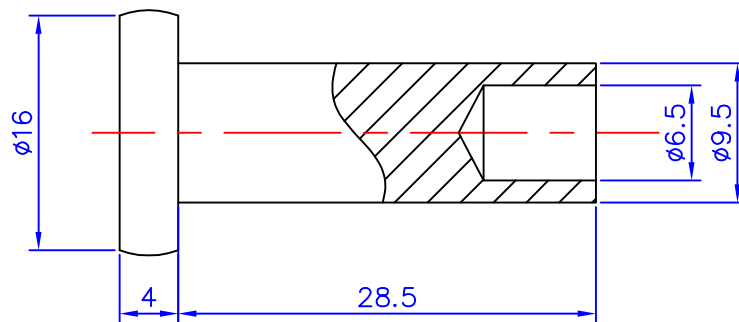
CIMC



Authorized Distributor:
Pacific Marine & Industrial
www.pacificmarine.net
info@pacificmarine.net

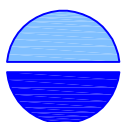


PART NO.	SPEC	WEIGHT
CIMC-D23-11E	Handle Hub ET型防盗扳手座	0.250



PART NO.	SPEC	WEIGHT
CIMC-D23-12E	Rivet ET型不锈钢铆钉	0.022

TITLE	ET型	WEIGHT	KGS		
SPEC		MATERIAL	SS400 & SUS304		
PART NO.	CIMC-D23-11E/12E	UNIT	mm	PAGE NO.	41



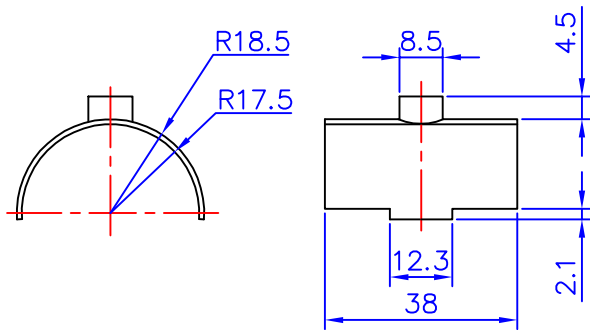
CIMC



Authorized Distributor:
Pacific Marine & Industrial
www.pacificmarine.net
info@pacificmarine.net

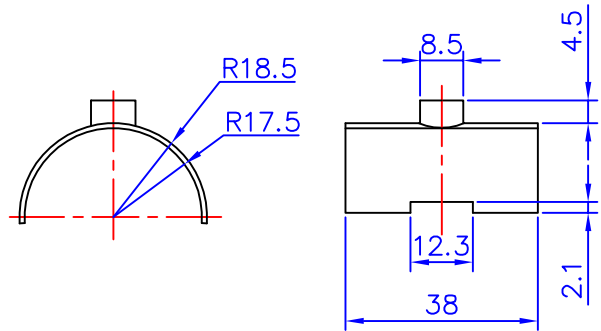
CIMC-D23-14

Upper Short Split Bush 塑料衬套凸



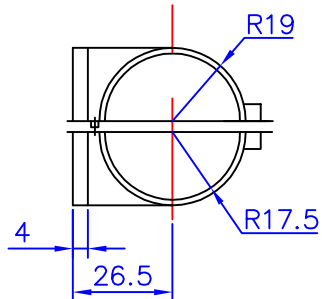
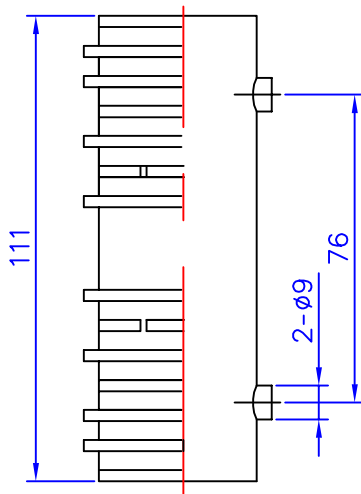
CIMC-D23-15

Lower Short Split Bush 塑料衬套凹



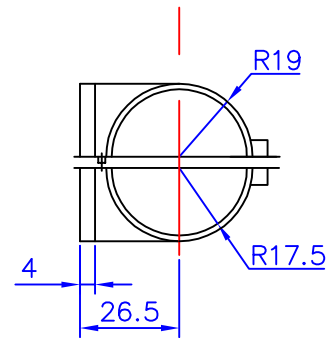
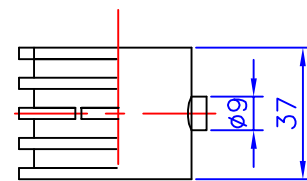
CIMC-D23-16

Split Large Bush 大衬套

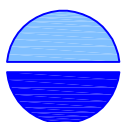


CIMC-D23-17

Split Small Bush 小衬套



TITLE	Split Bush 衬套	WEIGHT	0.001/0.001/0.010/0.005KGS		
SPEC		MATERIAL	Nylon		
PART NO.	CIMC-D23-14/15/16/17	UNIT	mm	PAGE NO.	42

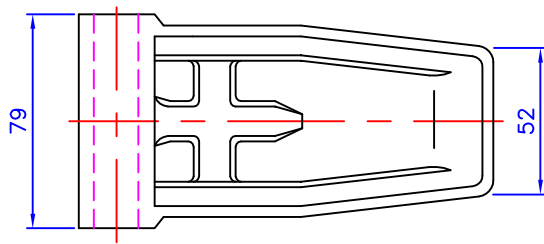
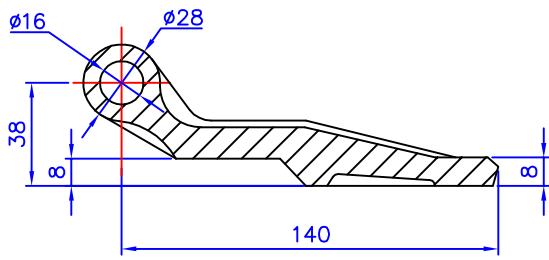


CIMC

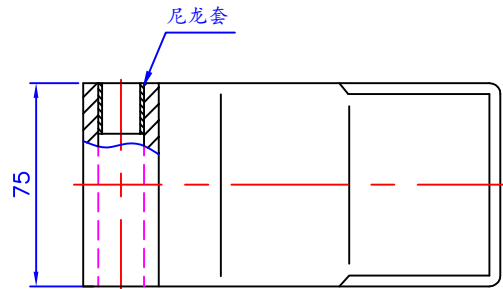
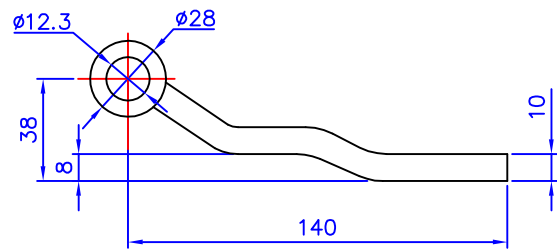


Authorized Distributor:
Pacific Marine & Industrial
www.pacificmarine.net
info@pacificmarine.net

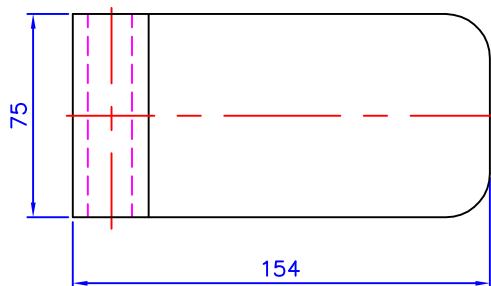
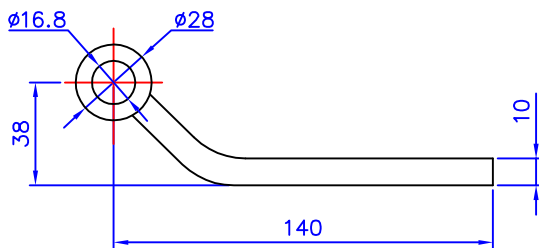
CIMC-D24-01
Froging Type



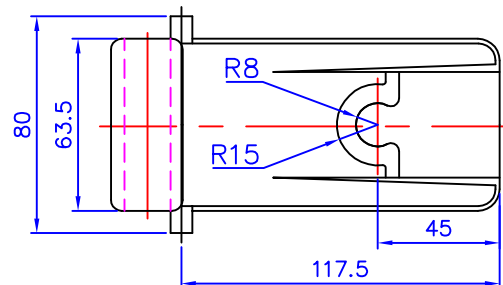
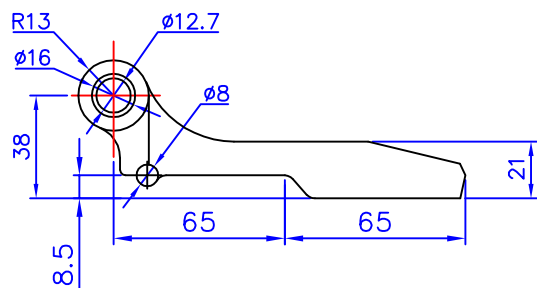
CIMC-D24-02
Welding Type



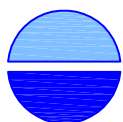
CIMC-D24-03
Welding Type



CIMC-D24-04
Maersk Type



TITLE	Hinge Blade 门铰链	WEIGHT	1.450/1.010/0.990/1.000 KGS		
SPEC		MATERIAL	SS400/Q235B		
PART NO.	CIMC-D24-01/02/03/04	UNIT	mm	PAGE NO.	43

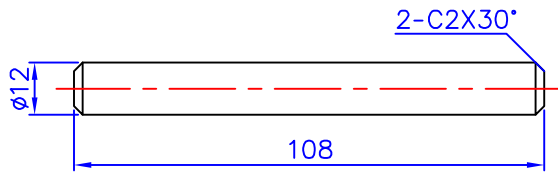


CIMC

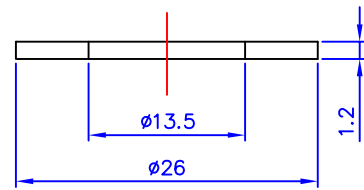


Authorized Distributor:
Pacific Marine & Industrial
www.pacificmarine.net
info@pacificmarine.net

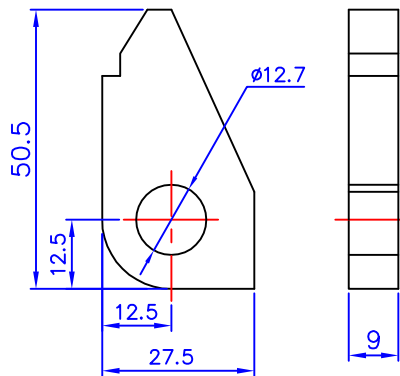
CIMC-D24-05
Hinge Pin 不锈钢插销
Material: SUS201



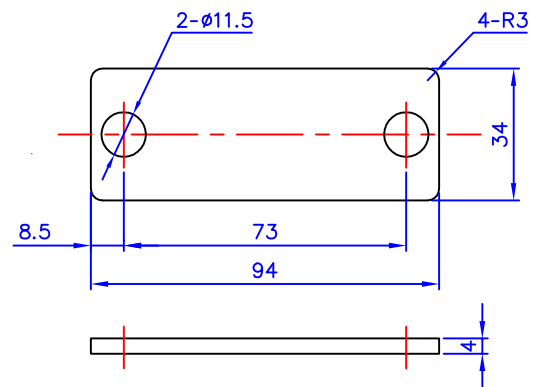
CIMC-D24-07
Brass Wash 铜垫片
Material: Brass



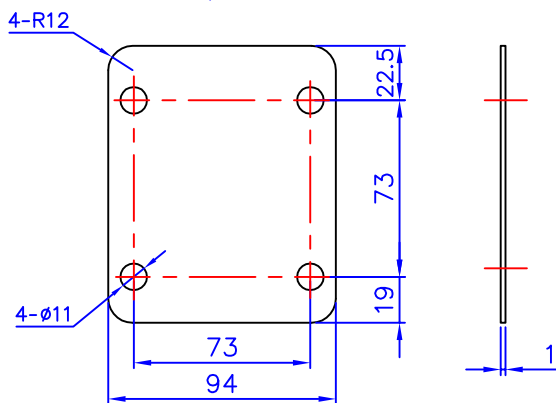
CIMC-D24-06
Hinge Lug 小吊耳
Material: SS400



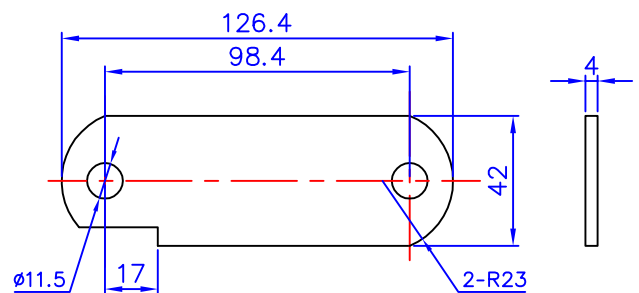
CIMC-DGE07040
Small Bracket Gasket
通用箱小托架垫 (4MM厚)



CIMC-DGE06
Large Bracket Gasket
大托架垫

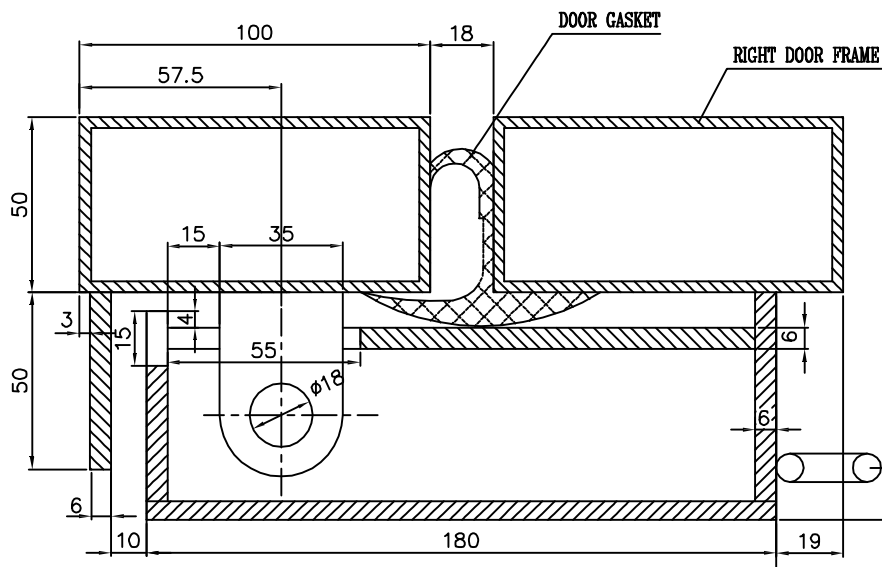
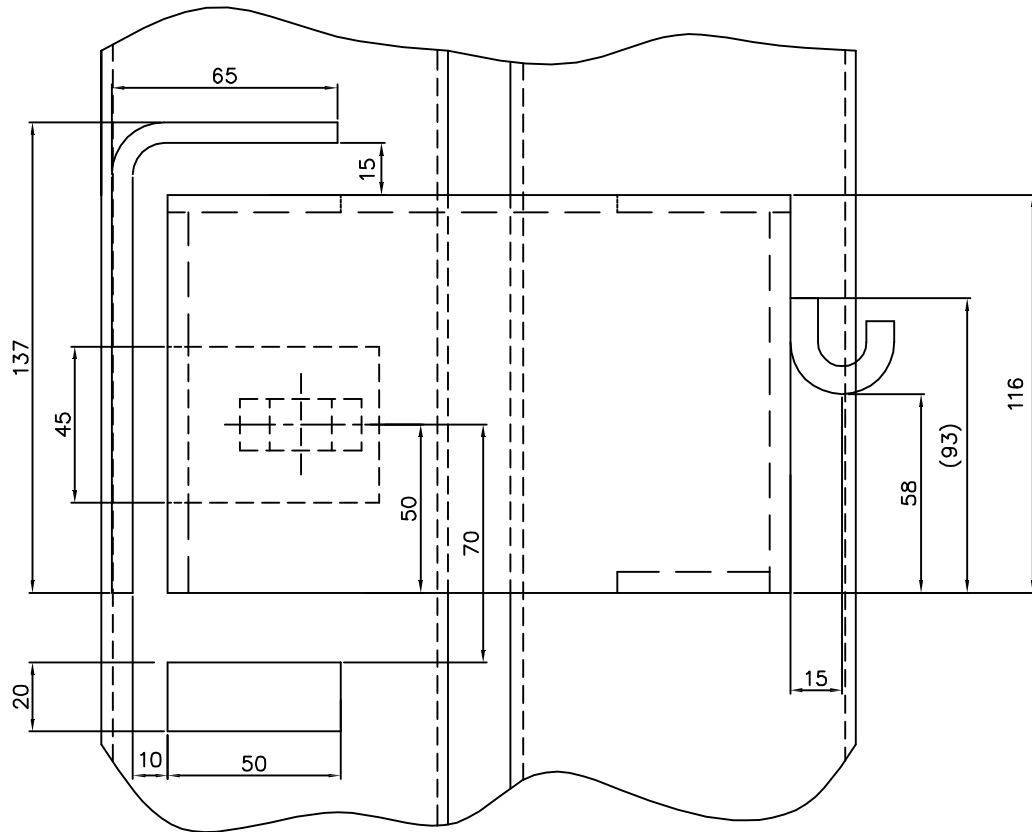


CIMC-DGE08040
Retainer Bracket Gasket
通用箱手柄托架垫 (4MM厚)

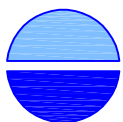


TITLE	Accessory 配件	WEIGHT	KGS		
SPEC		MATERIAL			
PART NO.	CIMC-D24-05/06/07 CIMC-DGE	UNIT	mm	PAGE NO.	44





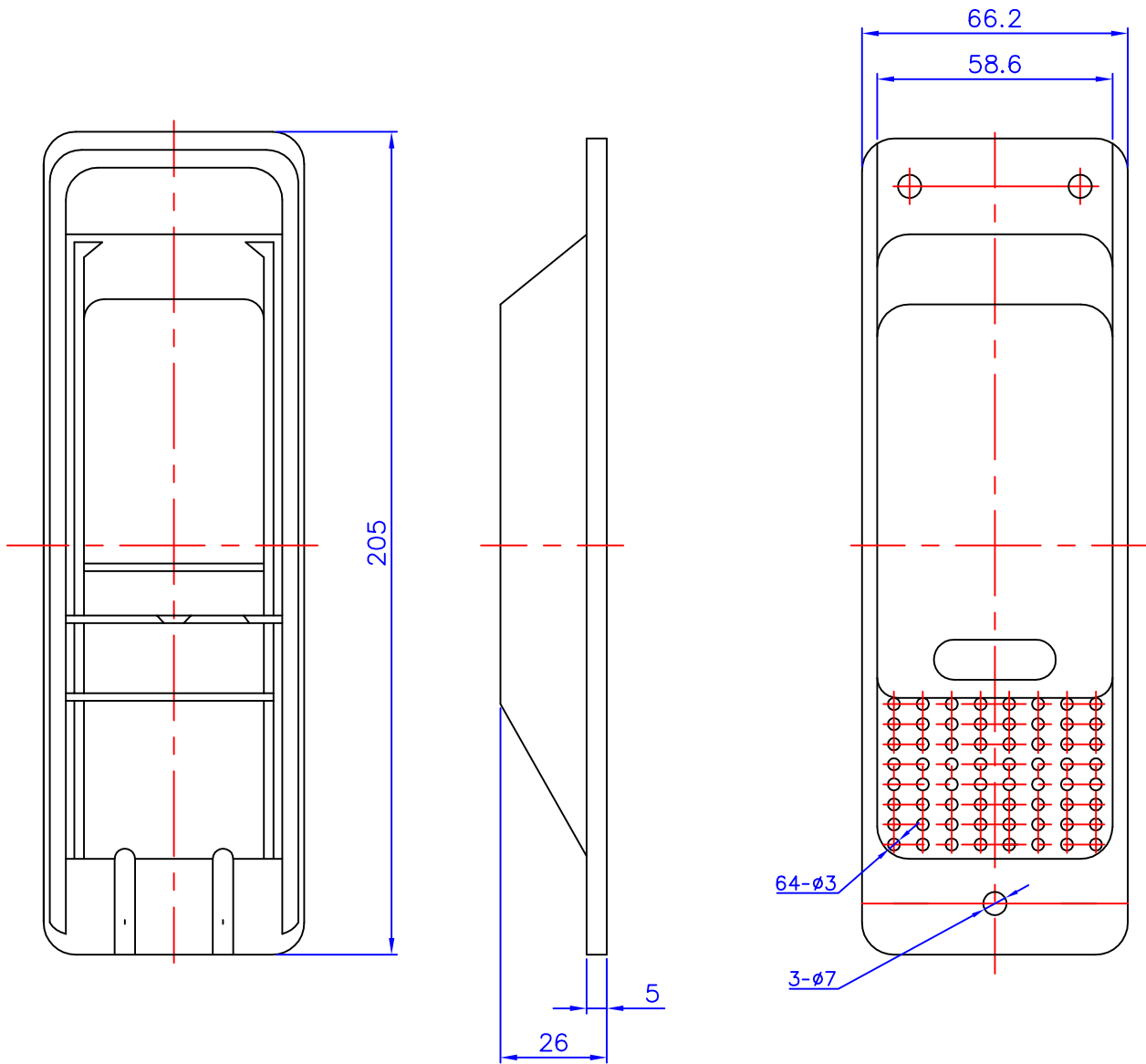
TITLE	Lock Box 锁盒	WEIGHT	KGS		
SPEC		MATERIAL			
PART NO.	CIMC-D24-10	UNIT	mm	PAGE NO.	45



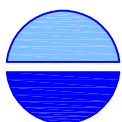
CIMC



Authorized Distributor:
Pacific Marine & Industrial
www.pacificmarine.net
info@pacificmarine.net



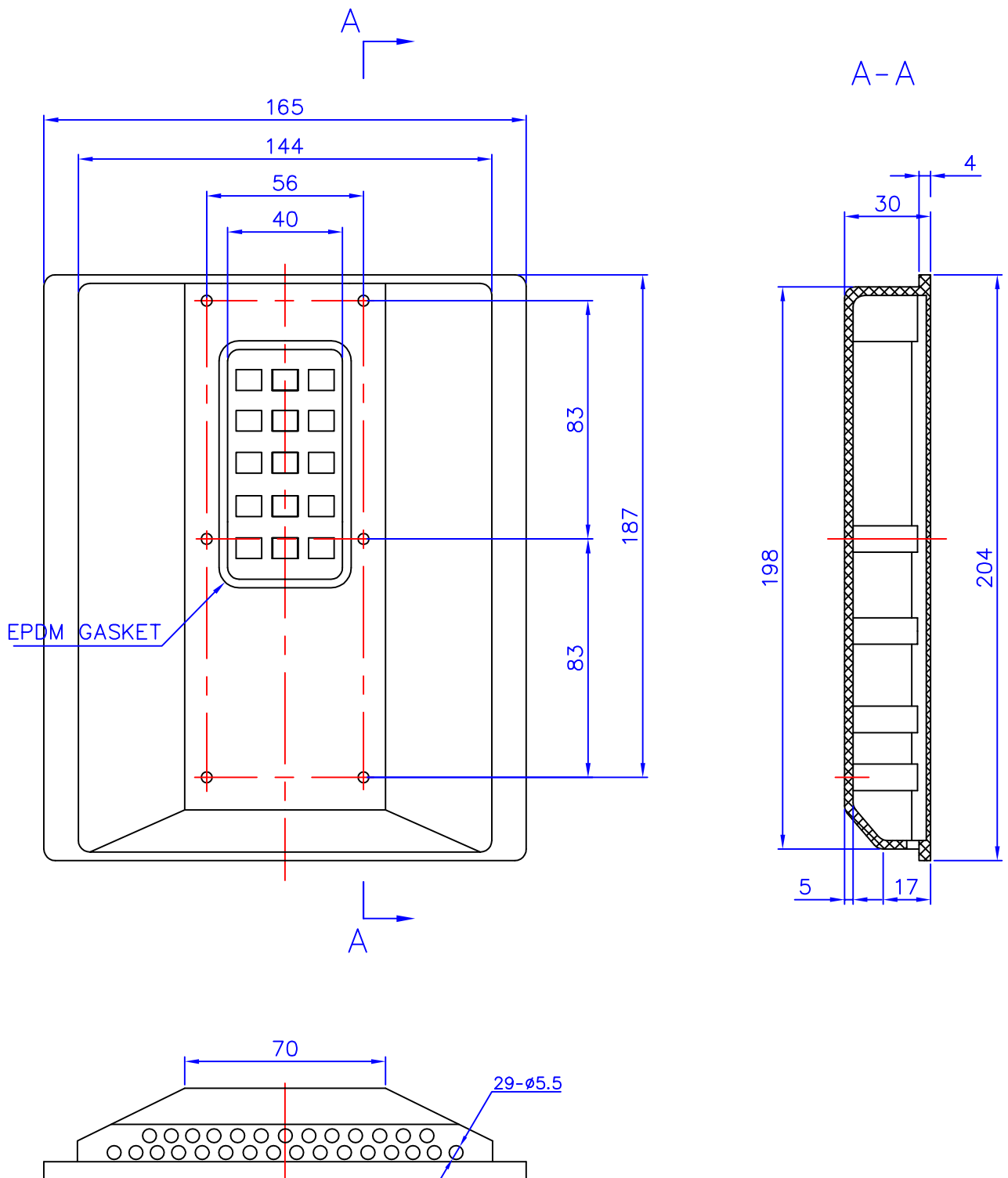
TITLE	Ventilator 小通风器	WEIGHT	0.070 KGS		
SPEC	"S" Type	MATERIAL			
PART NO.	CIMC-D25-01	UNIT	mm	PAGE NO.	46



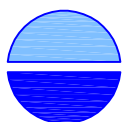
CIMC



Authorized Distributor:
Pacific Marine & Industrial
www.pacificmarine.net
info@pacificmarine.net



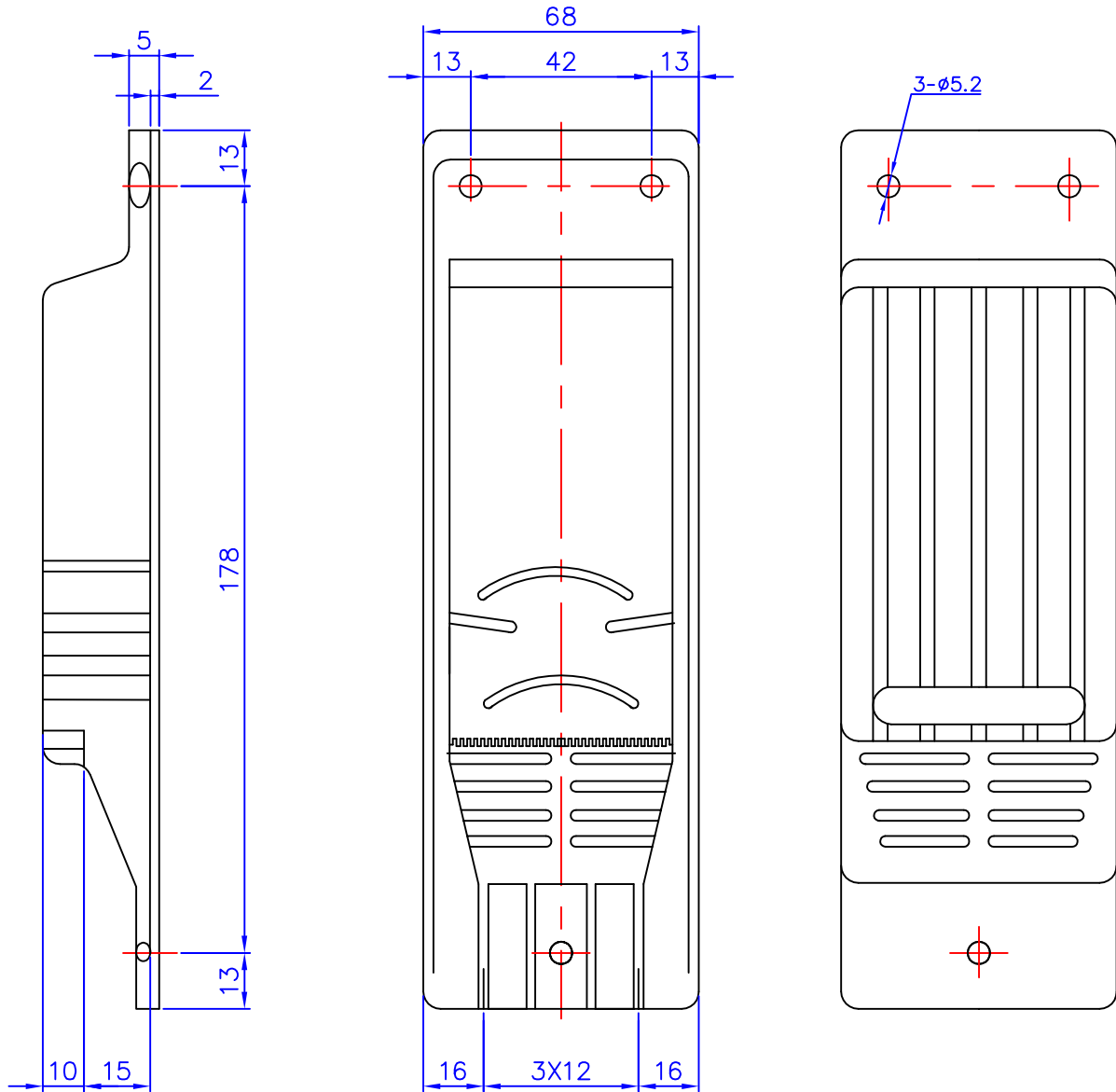
TITLE	Ventilator 大通风器	WEIGHT	0.300 KGS		
SPEC	"M" Type	MATERIAL	ABS		
PART NO.	CIMC-D25-02	UNIT	mm	PAGE NO.	47



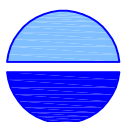
CIMC



Authorized Distributor:
Pacific Marine & Industrial
www.pacificmarine.net
info@pacificmarine.net



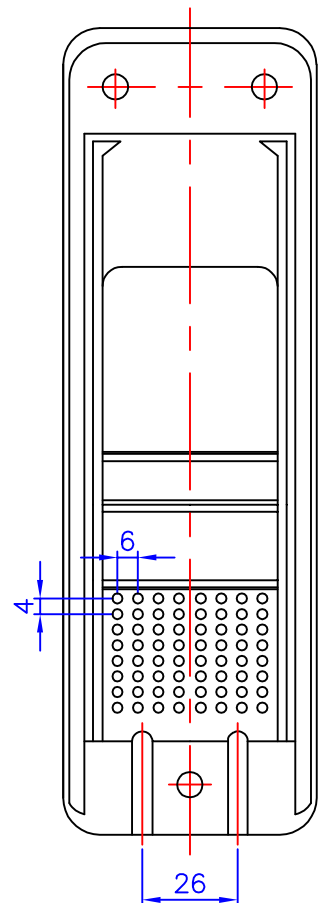
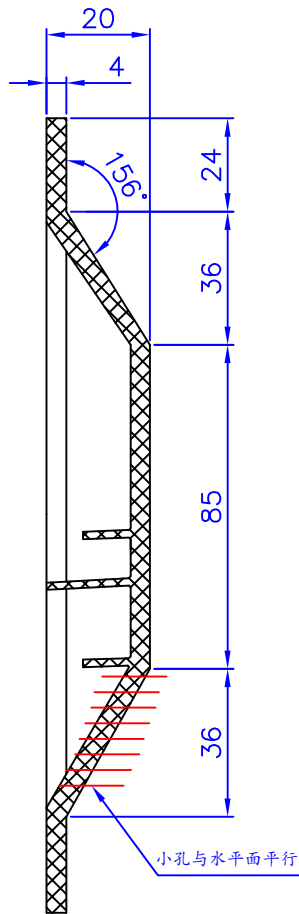
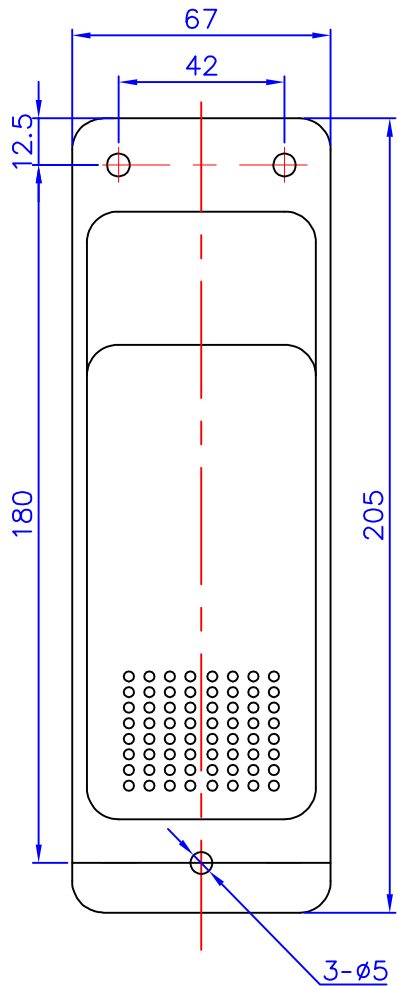
TITLE	Ventilator 小通风器	WEIGHT	0.070 KGS		
SPEC	"TAL" Type	MATERIAL	ABS		
PART NO.	CIMC-D25-03	UNIT	mm	PAGE NO.	48



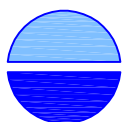
CIMC



Authorized Distributor:
Pacific Marine & Industrial
www.pacificmarine.net
info@pacificmarine.net



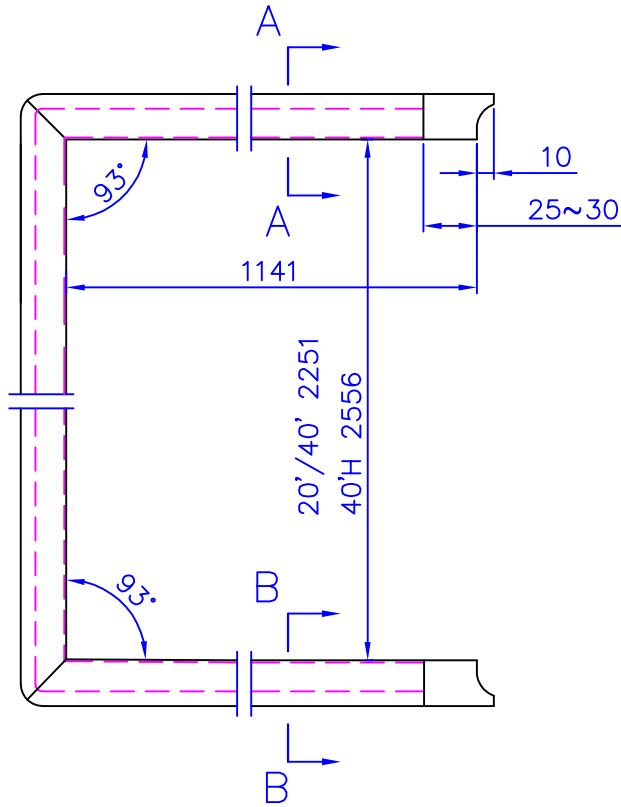
TITLE	Ventilator 通风盖	WEIGHT	0.070 KGS		
SPEC	For Pallet Wide Container	MATERIAL	ABS		
PART NO.	CIMC-D25-04	UNIT	mm	PAGE NO.	49



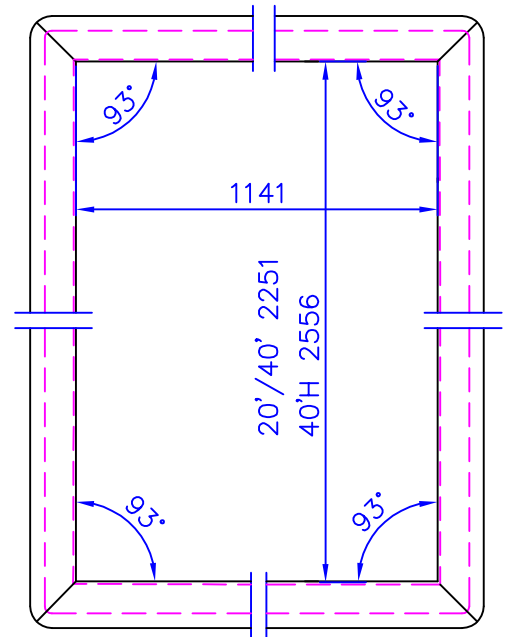
CIMC



Authorized Distributor:
Pacific Marine & Industrial
www.pacificmarine.net
info@pacificmarine.net



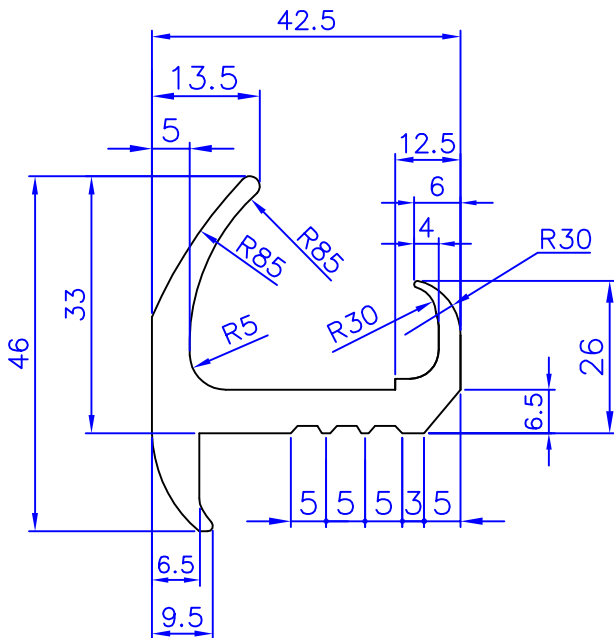
Left Hand Door Only



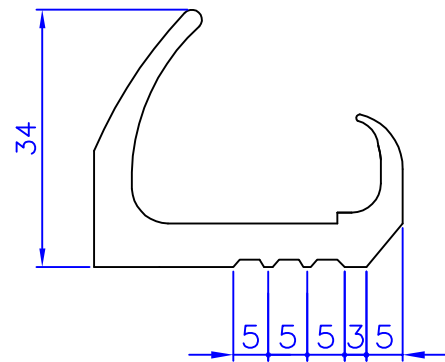
Right Hand Door Only

A-A
5:1

B-B
5:1



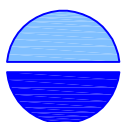
For Upper & Side



For Lower Only

PART NO.	SPEC	WEIGHT
CIMC-D26-01A	Container Set , 20'/40'	6.000
CIMC-D26-01B	Container Set , 40HC	8.000

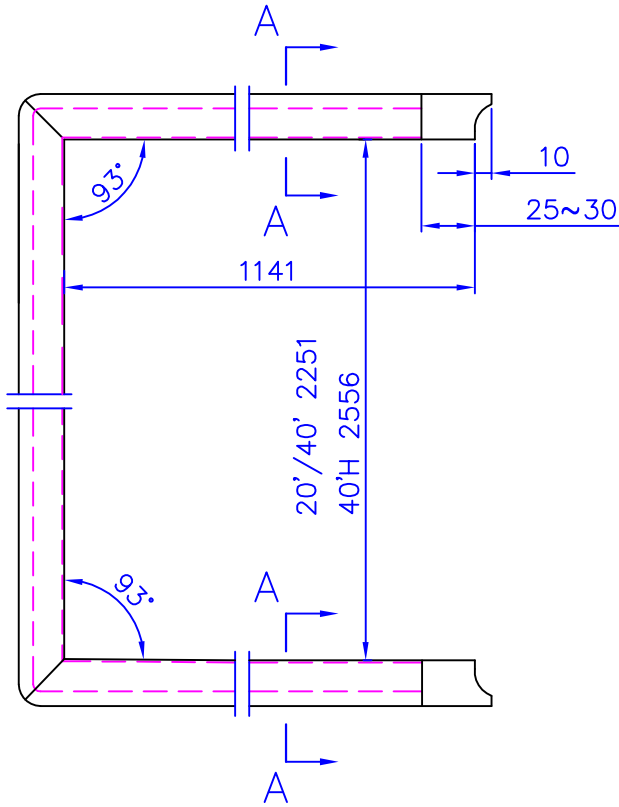
TITLE	Door Seal 门封条	WEIGHT	KGS		
SPEC	"JC" Type	MATERIAL	EPDM		
PART NO.	CIMC-D26-01A/B	UNIT	mm	PAGE NO.	50



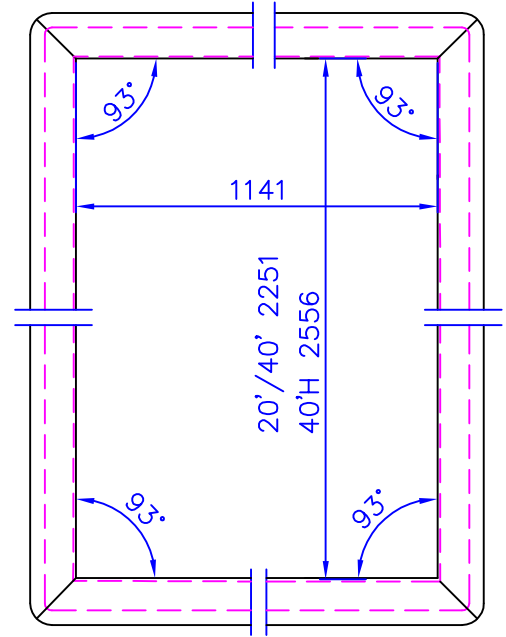
CIMC



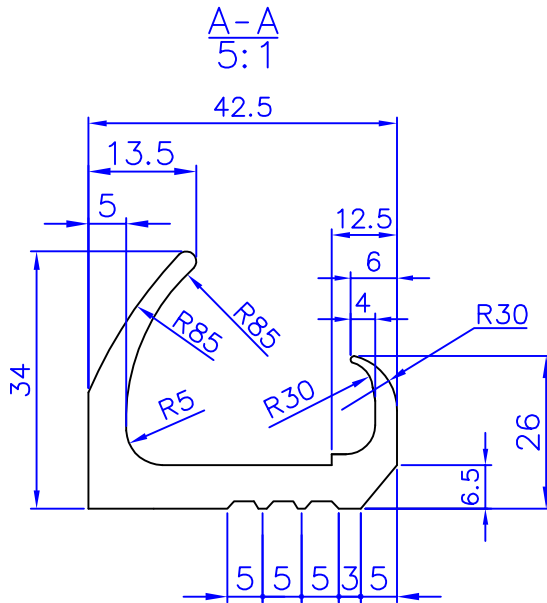
Authorized Distributor:
Pacific Marine & Industrial
www.pacificmarine.net
info@pacificmarine.net



Left Hand Door Only

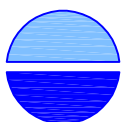


Right Hand Door Only



PART NO.	SPEC	WEIGHT
CIMC-D26-01A	Container Set , 20'/40'	6.000
CIMC-D26-01B	Container Set , 40'HC	8.000
CIMC-D26-01C	2.50M/PC	1.500
CIMC-D26-01D	40.00M/ROLL	24.000
CIMC-D26-01E	300mmX300mm/PC	0.600

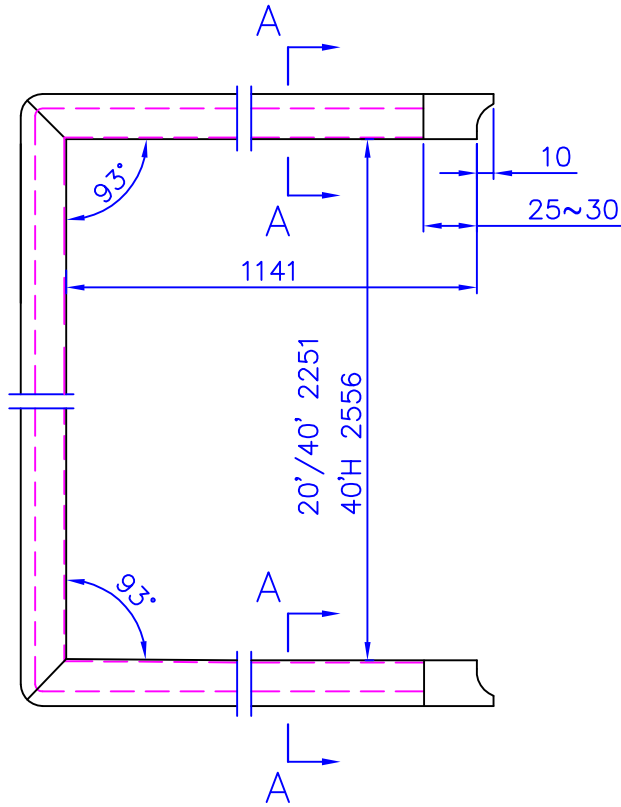
TITLE	Door Seal 门封条	WEIGHT	KGS		
SPEC	"C" Type	MATERIAL	EPDM		
PART NO.	CIMC-D26-02A/B/C/D/E	UNIT	mm	PAGE NO.	51



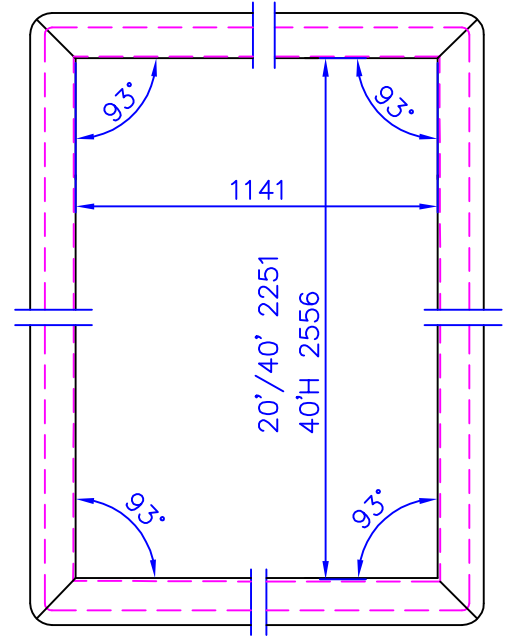
CIMC



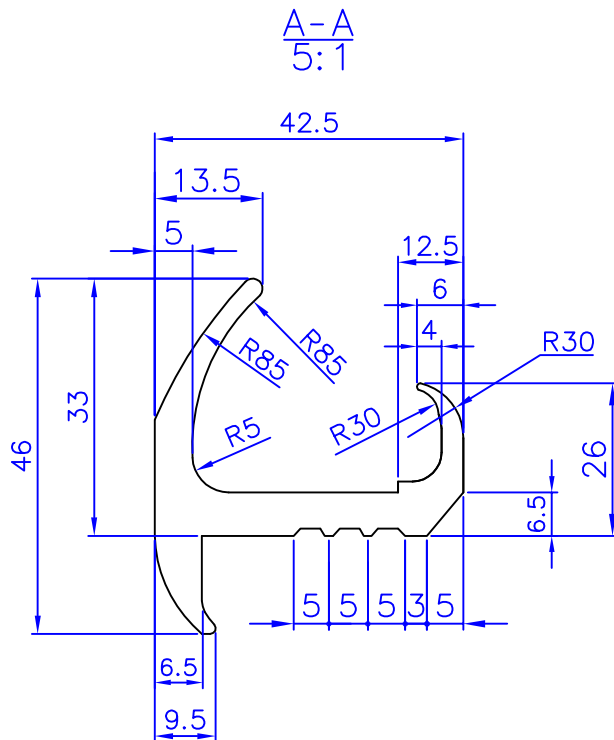
Authorized Distributor:
Pacific Marine & Industrial
 www.pacificmarine.net
 info@pacificmarine.net



Left Hand Door Only

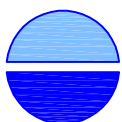


Right Hand Door Only



PART NO.	SPEC	WEIGHT
CIMC-D26-03A	Container Set , 20'/40'	6.000
CIMC-D26-03B	Container Set , 40'HC	8.000
CIMC-D26-03C	2.50M/PC	1.500
CIMC-D26-03D	300mmX300mm/PC	0.600
CIMC-D26-01K	1200mmX1200mm/PC	3.000

TITLE	Door Seal 门封条	WEIGHT	KGS		
SPEC	"J" Type	MATERIAL	EPDM		
PART NO.	CIMC-D26-03A/B/C/D/K	UNIT	mm	PAGE NO.	52

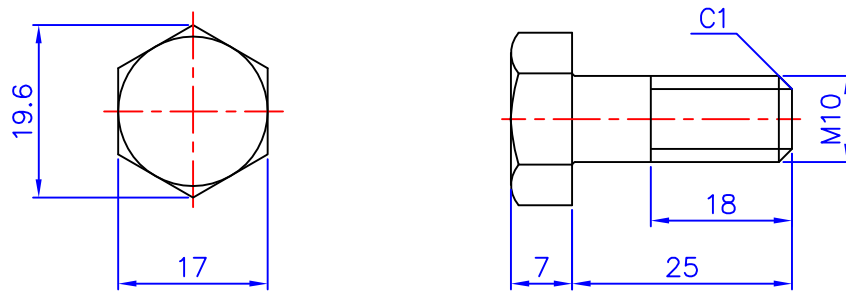


CIMC

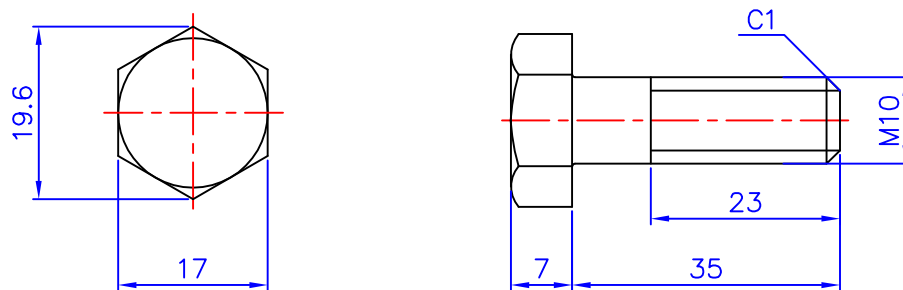


Authorized Distributor:
Pacific Marine & Industrial
 www.pacificmarine.net
 info@pacificmarine.net

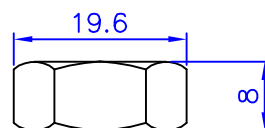
CIMC-D27-01
Door Screw M10X25 螺栓



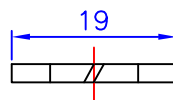
CIMC-D27-02
Door Screw M10X35 螺栓



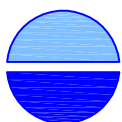
CIMC-D27-03
Door Screw Nut M10 螺母



CIMC-D27-04
Door Screw Rubber Ø10 弹簧垫片



TITLE	Door Screw 门螺丝	WEIGHT	KGS		
SPEC		MATERIAL			
PART NO.	CIMC-D27-01/02/03/04	UNIT	mm	PAGE NO.	53

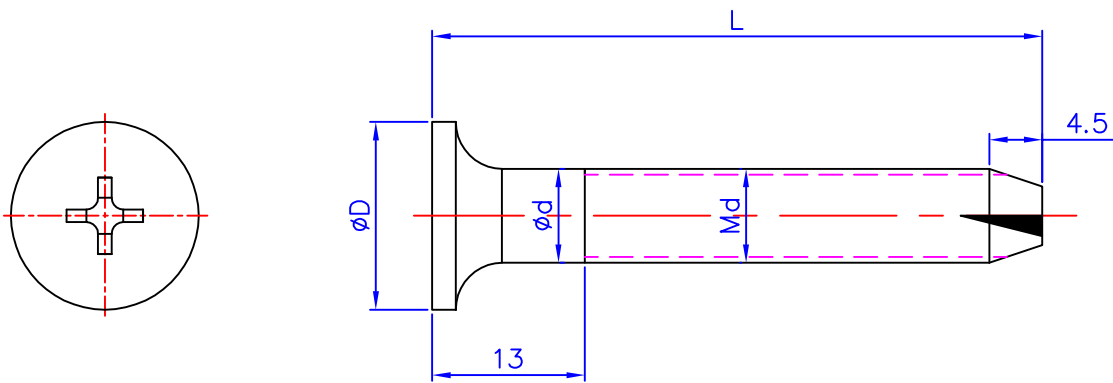


CIMC



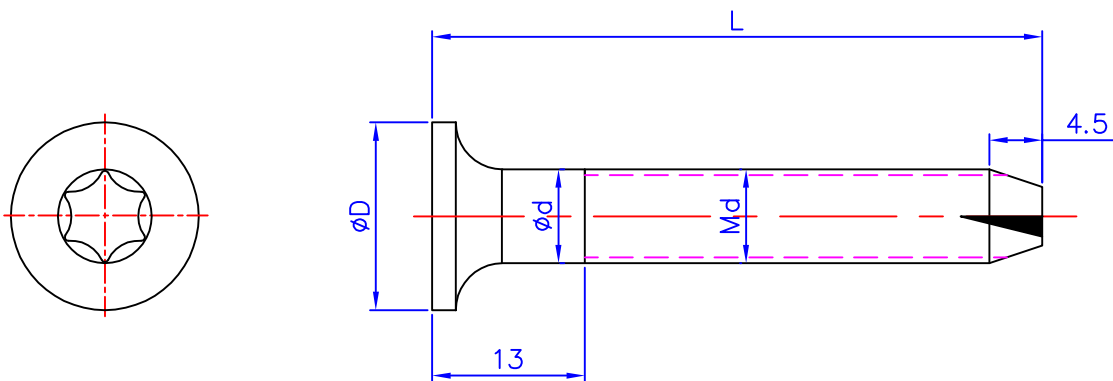
Authorized Distributor:
Pacific Marine & Industrial
www.pacificmarine.net
info@pacificmarine.net

Phillips Head 十字槽



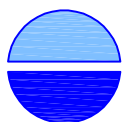
PART NO.	SPEC	L	ØD	Ød
CIMC-D28-01A	M6X45	45	14.5	6
CIMC-D28-01B	M6X50	65	14.5	6
CIMC-D28-01C	M6X65	50	14.5	6
CIMC-D28-02A	M8X45	45	15.5	8
CIMC-D28-02B	M8X50	50	15.5	8
CIMC-D28-02C	M8X65	65	15.5	8

Trox Head 梅花槽



PART NO.	SPEC	L	ØD	Ød
CIMC-D28-02A-1	M8X45	45	15.5	8
CIMC-D28-02B-1	M8X50	50	15.5	8
CIMC-D28-02C-1	M8X65	65	15.5	8

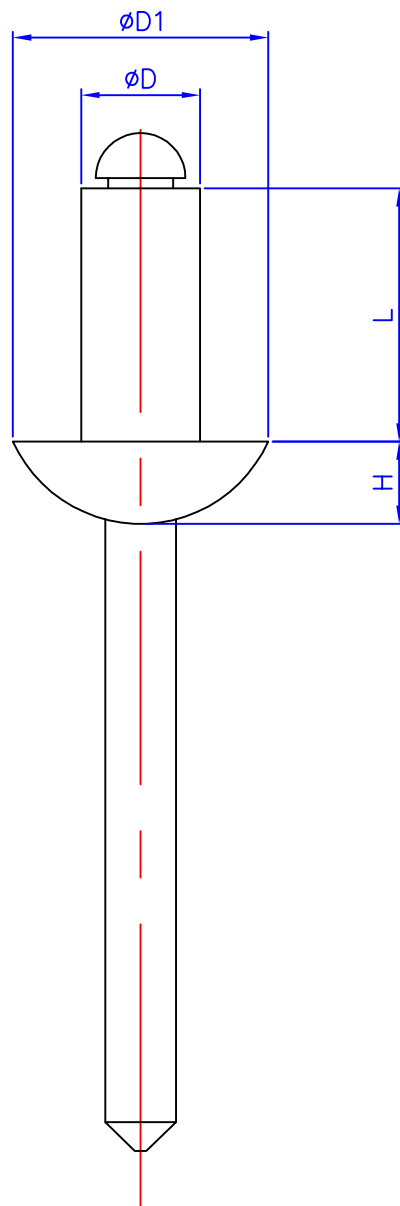
TITLE	Tapping Screw 地板釘	WEIGHT	KGS		
SPEC		MATERIAL			
PART NO.	CIMC-D28-01/02	UNIT	mm	PAGE NO.	54



CIMC

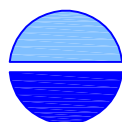


Authorized Distributor:
Pacific Marine & Industrial
www.pacificmarine.net
info@pacificmarine.net



PART NO.	SPEC	H	ØD1	ØD	L
CIMC-D29-01	M4.8X7	1.5	8	4	8
CIMC-D29-02	M4.8X14	1.6	9.5	4.8	14
CIMC-D29-03	M4.8X16.7	1.6	9.5	4	16.7

TITLE	Stainless Blind Rivet 不锈钢拉铆钉	WEIGHT	KGS		
SPEC		MATERIAL	Stainless Steel		
PART NO.	CIMC-D29-01/02/03	UNIT	mm	PAGE NO.	55

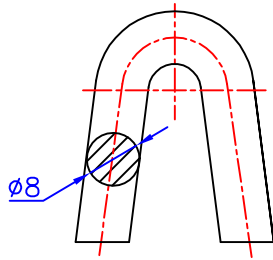


CIMC

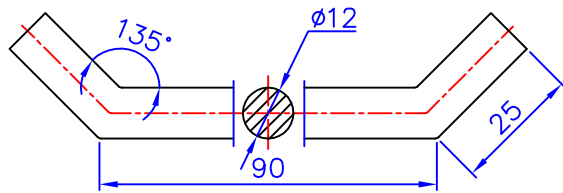


Authorized Distributor:
Pacific Marine & Industrial
www.pacificmarine.net
info@pacificmarine.net

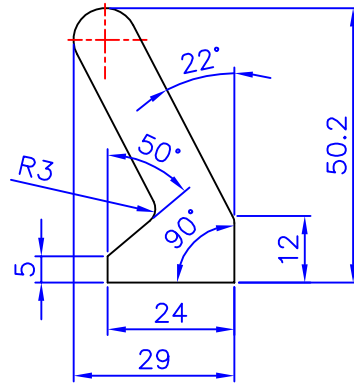
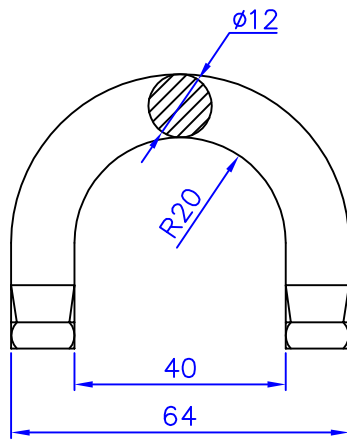
CIMC-D30-01
Ø8X70 For Door



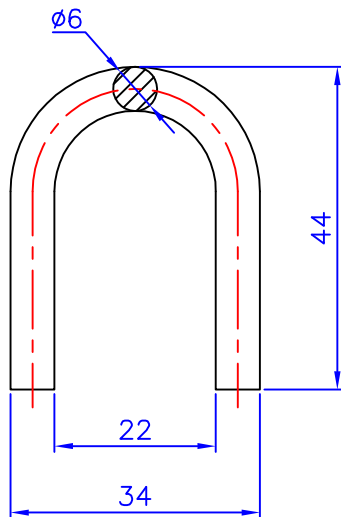
CIMC-D30-02
Ø12X140 For Front Corner Post



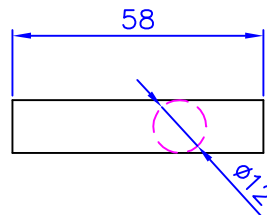
CIMC-D30-03
Ø12X140 For Top and Bottom Side Rail



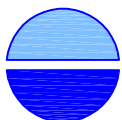
CIMC-D30-06
Ø6X44



CIMC-D30-05
Ø12X58 For Rear Corner Post
Post Lashing Bar



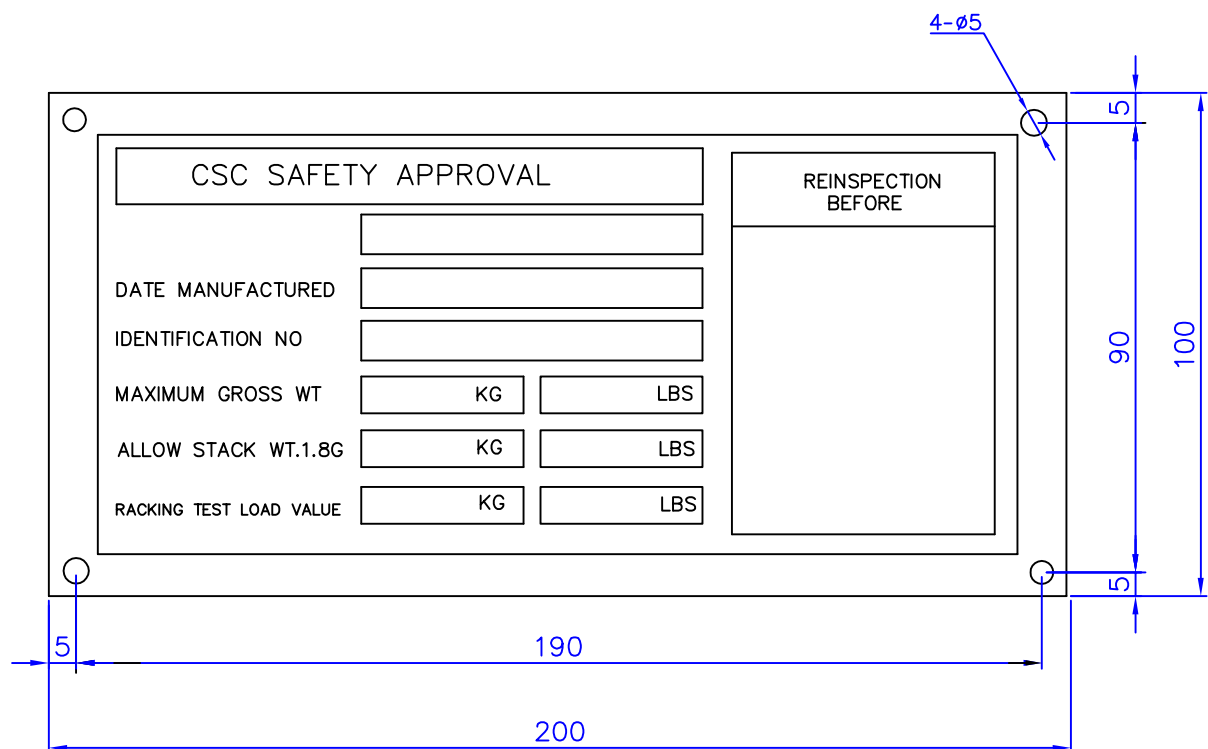
TITLE	Lashing Ring / Bar 绳钩	WEIGHT	KGS		
SPEC		MATERIAL	SS41		
PART NO.	CIMC-D30	UNIT	mm	PAGE NO.	56



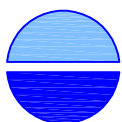
CIMC



Authorized Distributor:
Pacific Marine & Industrial
www.pacificmarine.net
info@pacificmarine.net



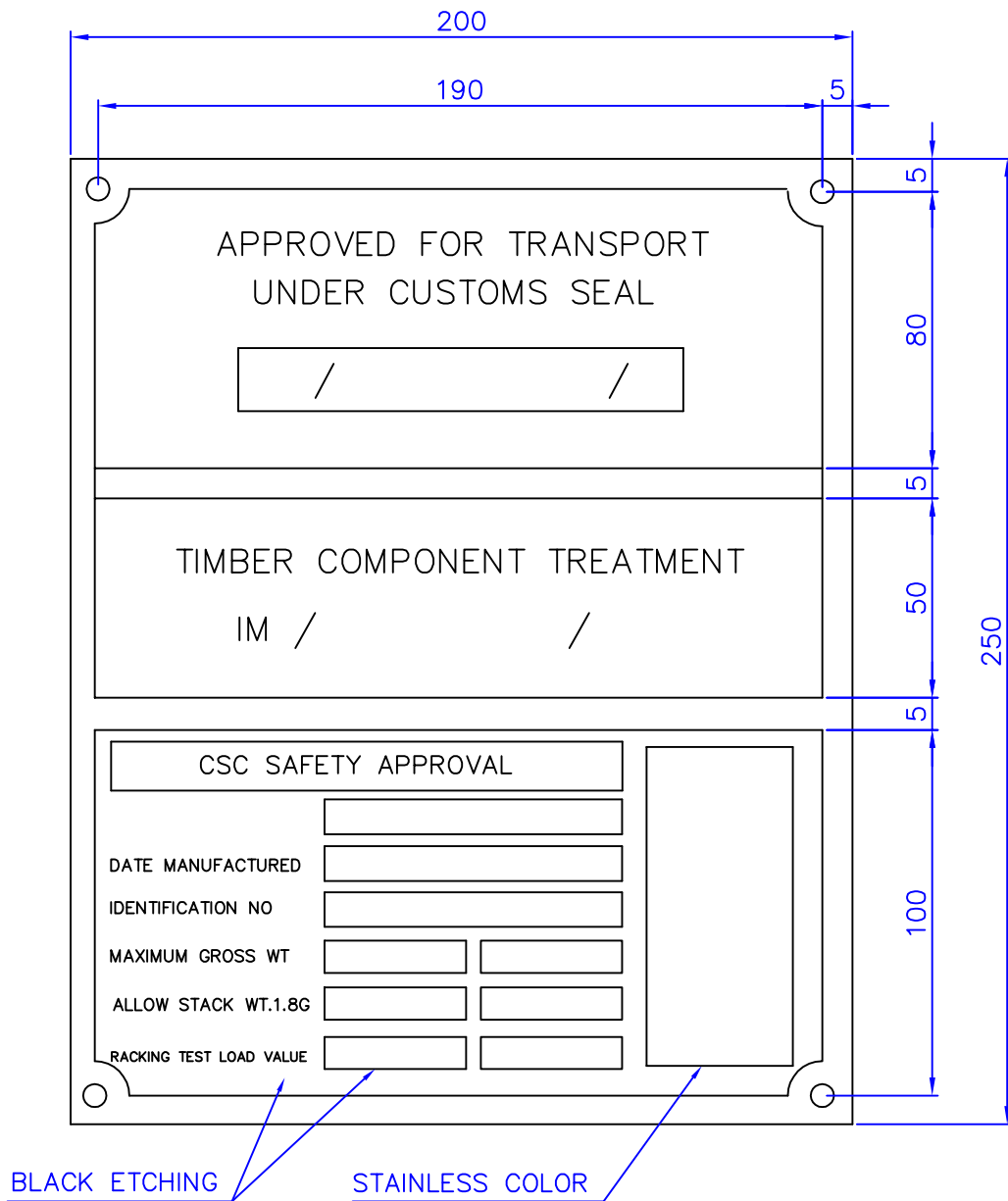
TITLE	CSC Plate 铭牌	WEIGHT	0.130 KGS		
SPEC	0.8X100X200	MATERIAL	Stainless Steel		
PART NO.	CIMC-D31-01	UNIT	mm	PAGE NO.	57



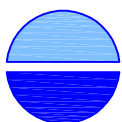
CIMC



Authorized Distributor:
Pacific Marine & Industrial
www.pacificmarine.net
info@pacificmarine.net



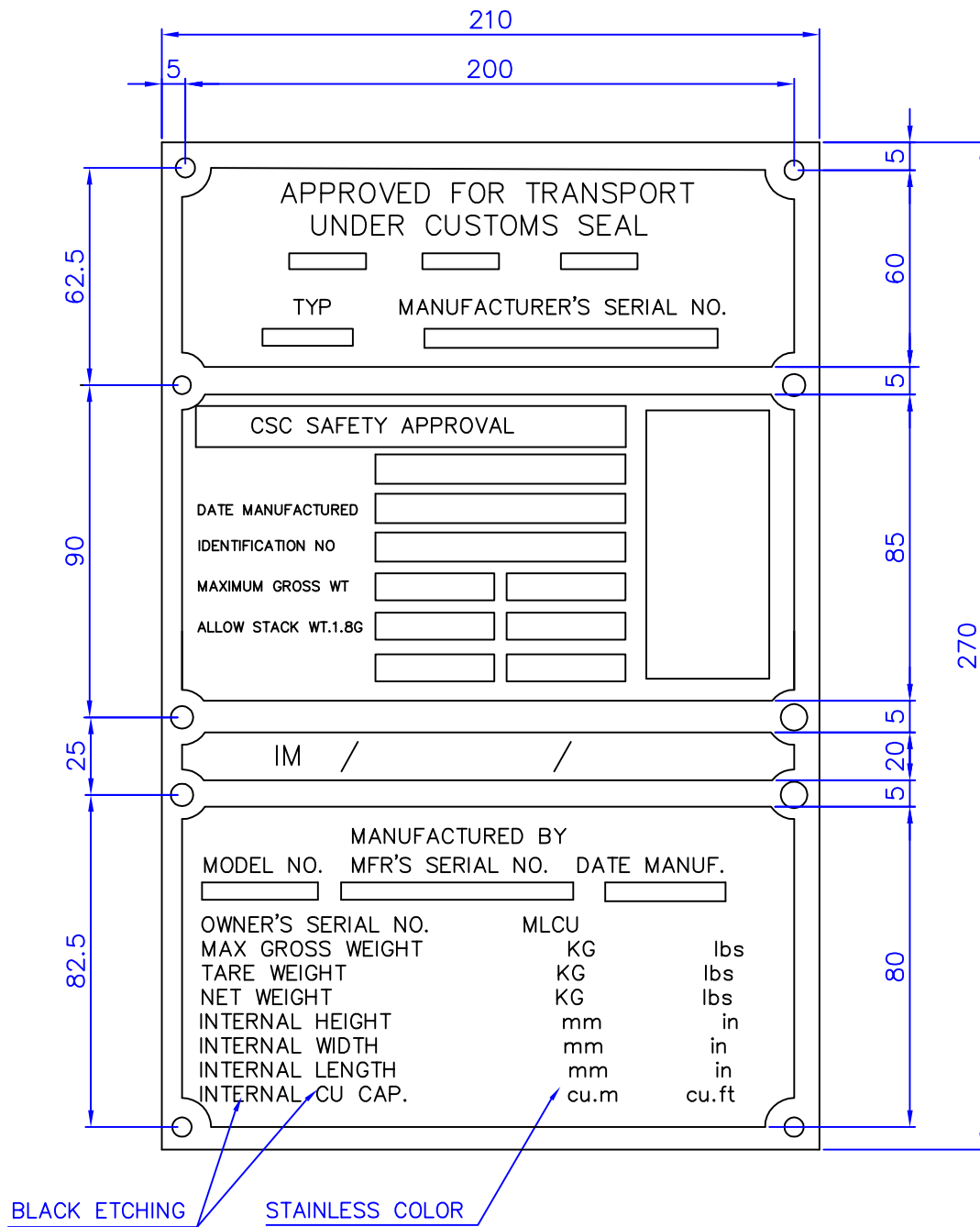
TITLE	CSC Plate 铭牌	WEIGHT	0.320 KGS		
SPEC	0.8X200X250	MATERIAL	Stainless Steel		
PART NO.	CIMC-D31-02	UNIT	mm	PAGE NO.	58



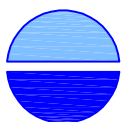
CIMC



Authorized Distributor:
Pacific Marine & Industrial
www.pacificmarine.net
info@pacificmarine.net



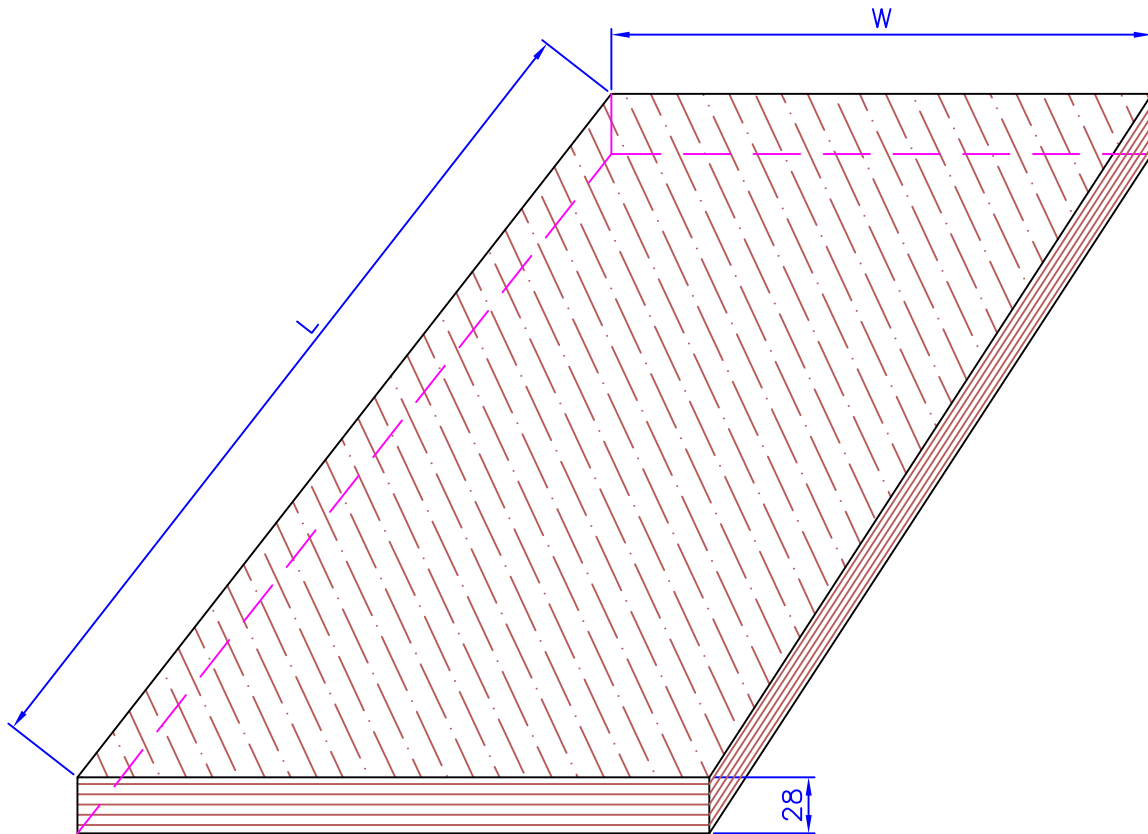
TITLE	CSC Plate 铭牌	WEIGHT	0.360 KGS		
SPEC	0.8X210X270	MATERIAL	Stainless Steel		
PART NO.	CIMC-D31-03	UNIT	mm	PAGE NO.	59



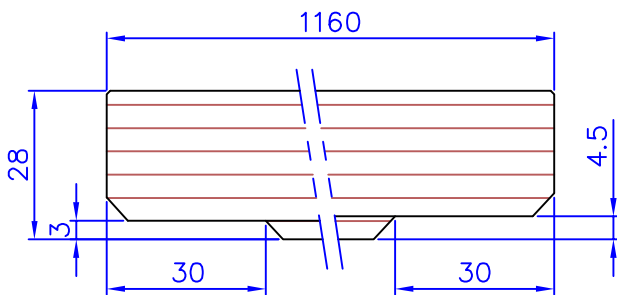
CIMC



Authorized Distributor:
Pacific Marine & Industrial
www.pacificmarine.net
info@pacificmarine.net

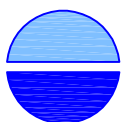


Free chamfer service is available upon request



GRADE	PART NO.	SIZE	Working Load in Test (kgs)
Grade H	CIMC-D32-01A-GH	28X1160X2400	7260
	CIMC-D32-01B-GH	28X640X2400	
	CIMC-D32-01C-GH	28X1220X2400	
Grade A	CIMC-D32-01A-GA	28X1160X2400	6000
	CIMC-D32-01B-GA	28X640X2400	
	CIMC-D32-01C-GA	28X1220X2400	
Grade B	CIMC-D32-01A-GB	28X1160X2400	5000
	CIMC-D32-01B-GB	28X640X2400	
	CIMC-D32-01C-GB	28X1220X2400	
Grade C	CIMC-D32-01A-GC	28X1160X2400	4500
	CIMC-D32-01B-GC	28X640X2400	
	CIMC-D32-01C-GC	28X1220X2400	

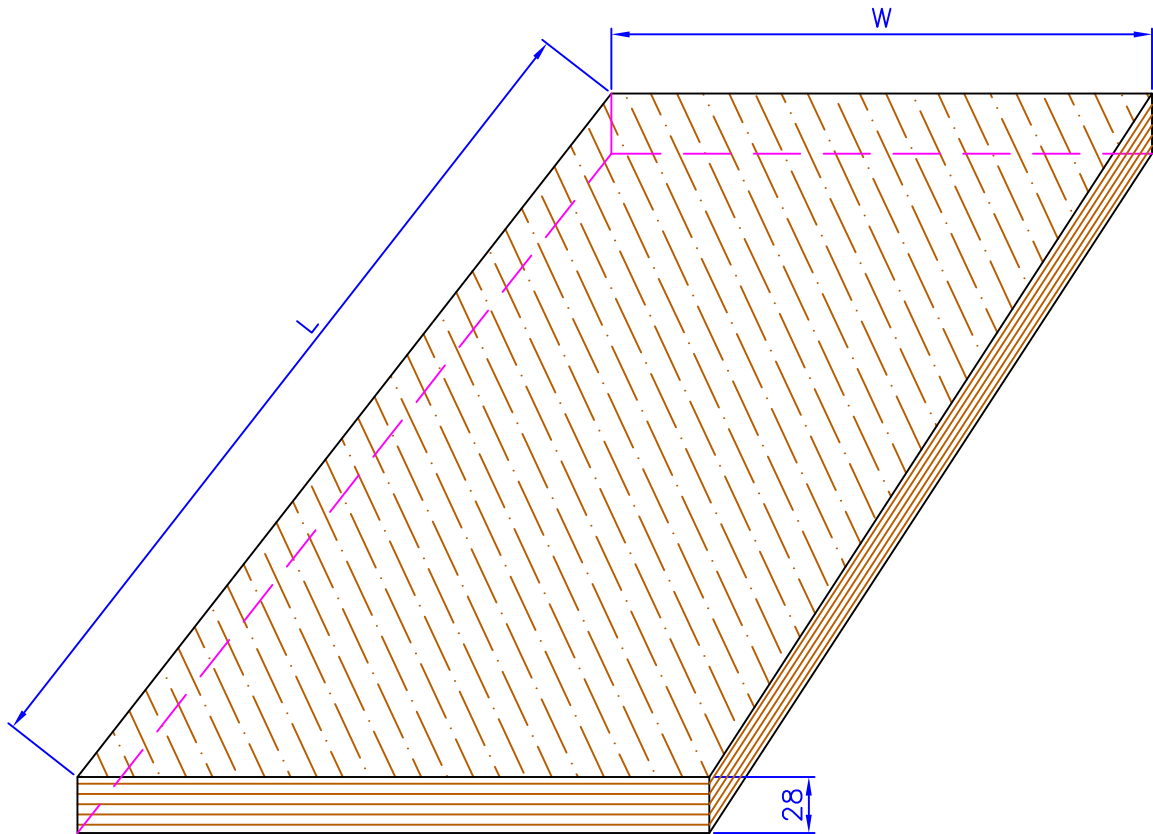
TITLE	Wooden Flooring 木地板	WEIGHT	KGS		
SPEC		MATERIAL			
PART NO.	CIMC-D32-01	UNIT	mm	PAGE NO.	60



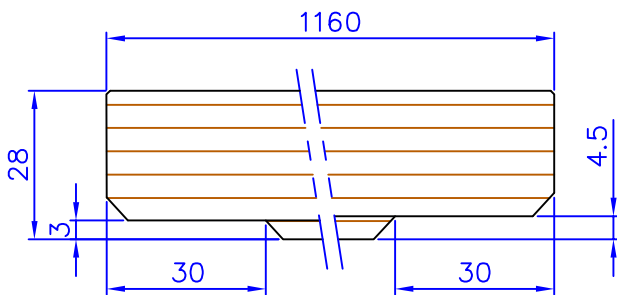
CIMC



Authorized Distributor:
Pacific Marine & Industrial
www.pacificmarine.net
info@pacificmarine.net

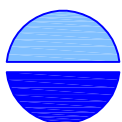


Free chamfer service is available upon request



GRADE	PART NO.	SIZE	Breaking Load (kgs)
Grade H	CIMC-D32-02A-GH	28X1160X2400	7260
Grade AA	CIMC-D32-02A-GAA		6500
Grade AB	CIMC-D32-02A-GAB		6000
Grade B	CIMC-D32-02A-GB		5460

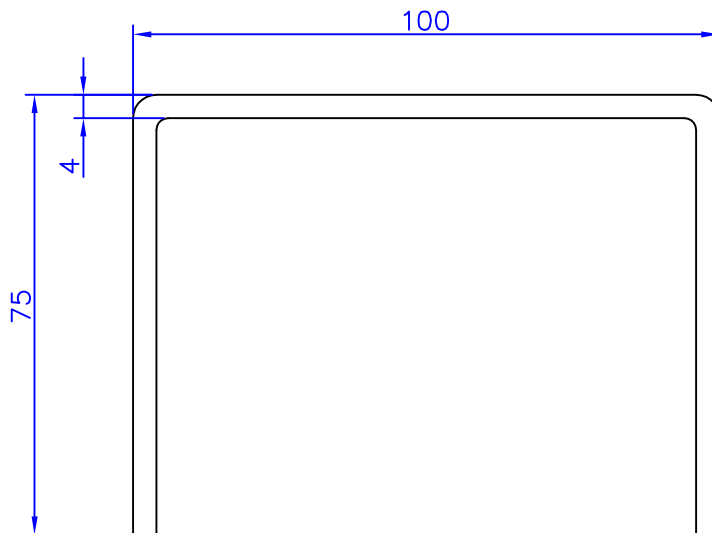
TITLE	Wooden Flooring 木地板	WEIGHT	KGS		
SPEC		MATERIAL			
PART NO.	CIMC-D32-02	UNIT	mm	PAGE NO.	61



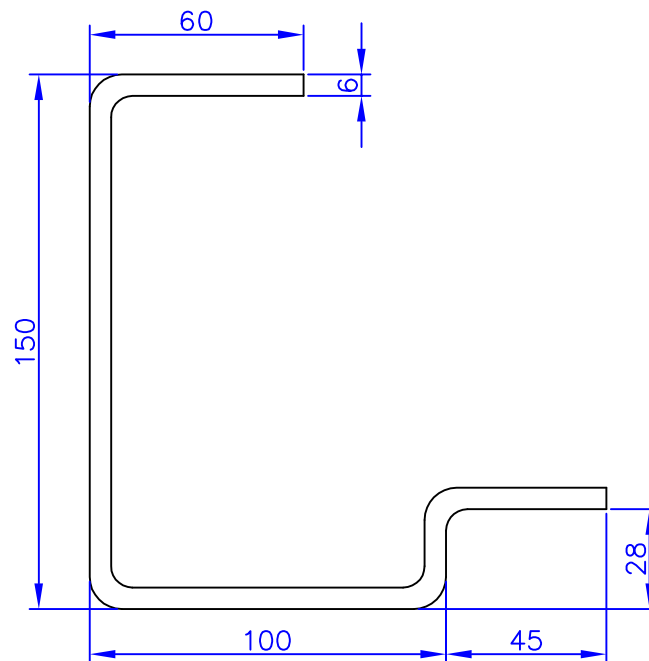
CIMC



Authorized Distributor:
Pacific Marine & Industrial
www.pacificmarine.net
info@pacificmarine.net



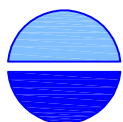
PART NO.	SPEC	L	WEIGHT
CIMC-D33-01A	4.0X75X100X75X2268	2268	16.664
CIMC-D33-01B	4.0X75X100X75X2328	2328	17.105



L=2328

PART NO.	SPEC	WEIGHT
CIMC-D33-01C	6.0X100X150X60X2328	38.048

TITLE	Gooseneck Cross Rail 鹅颈槽主横梁	WEIGHT	KGS
SPEC		MATERIAL	CORTEN
PART NO.	CIMC-D33-01A/B/C	UNIT	mm
		PAGE NO.	62

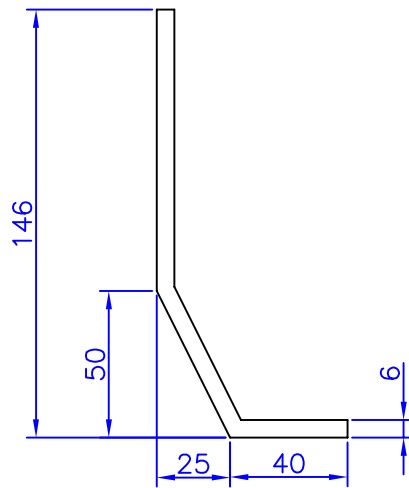


CIMC



Authorized Distributor:
Pacific Marine & Industrial
www.pacificmarine.net
info@pacificmarine.net

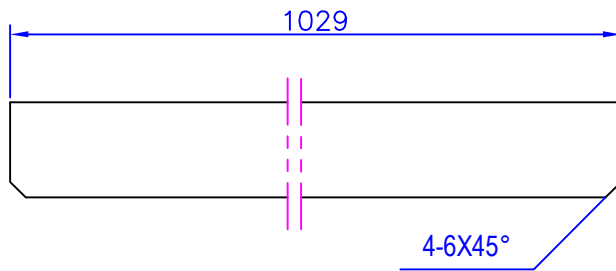
Gooseneck Side Rail 鹅颈槽侧梁



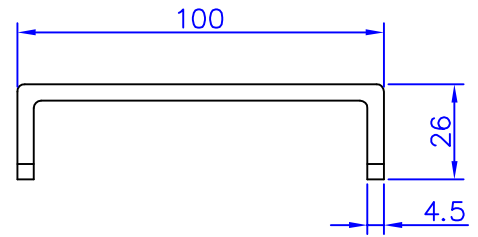
L=3305

PART NO.	SPEC	WEIGHT
CIMC-D33-02	6.0X146X65X3305	28.487

Gooseneck Bottom Rail 鹅颈槽背梁

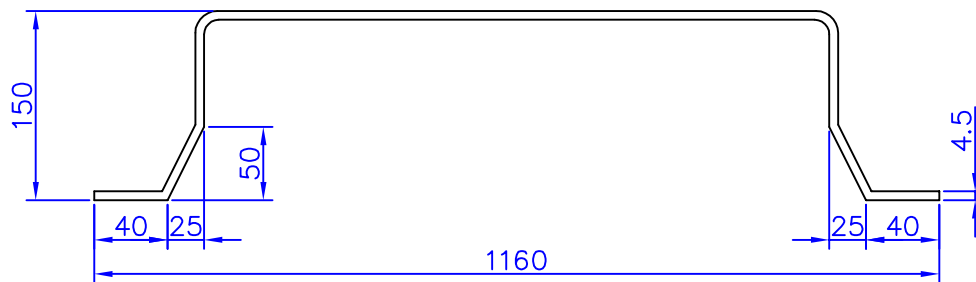


L=1029



PART NO.	SPEC	WEIGHT
CIMC-D33-03	4.5X26X100X26X1029	4.871

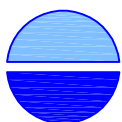
Gooseneck Plate 鹅颈槽板



L=3307

PART NO.	SPEC	WEIGHT
CIMC-D33-04	4.5X150X1160X150X3307	161.942

TITLE	Gooseneck Rail Accessary 鹅颈槽系列	WEIGHT	KGS
SPEC		MATERIAL	CORTEN
PART NO.	CIMC-D33-02/03/04	UNIT	mm
		PAGE NO.	63



CIMC



Authorized Distributor:
Pacific Marine & Industrial
www.pacificmarine.net
info@pacificmarine.net



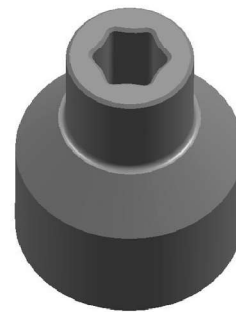
CIMC-D36-01



CIMC-D36-01-3



CIMC-D36-01-1



CIMC-D36-01-4



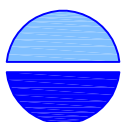
CIMC-D36-01-2



CIMC-D36-02

PART NO.	NAME	SPEC
CIMC-D36-01	双头钻 Double End Tapping Screw Bit	Phillips Head
CIMC-D36-01-1	单头钻 Simple End Tapping Screw Bit	Phillips Head
CIMC-D36-01-2	单头钻 Simple End Tapping Screw Bit	Trox Head
CIMC-D36-01-3	套筒 Socket	M12.5X12.5
CIMC-D36-01-4	套筒 Socket	M19X19
CIMC-D36-02	扩孔器 Redrill Bit	

TITLE	Tapping Screw Bit 钻头、套筒	WEIGHT	KGS		
SPEC		MATERIAL			
PART NO.	CIMC-D36-01	UNIT	mm	PAGE NO.	64



CIMC



Authorized Distributor:
Pacific Marine & Industrial
www.pacificmarine.net
info@pacificmarine.net



CIMC-D36-05



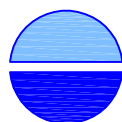
CIMC-D36-06-1



CIMC-D36-06-2

PART NO.	NAME	WEIGHT
CIMC-D36-05	磁力线 Magnetic Measuring lines	0.1
CIMC-D36-06-1	验箱尺 Measuring Ruler	0.03
CIMC-D36-06-2	验箱锤 Hammer for inspection	0.3

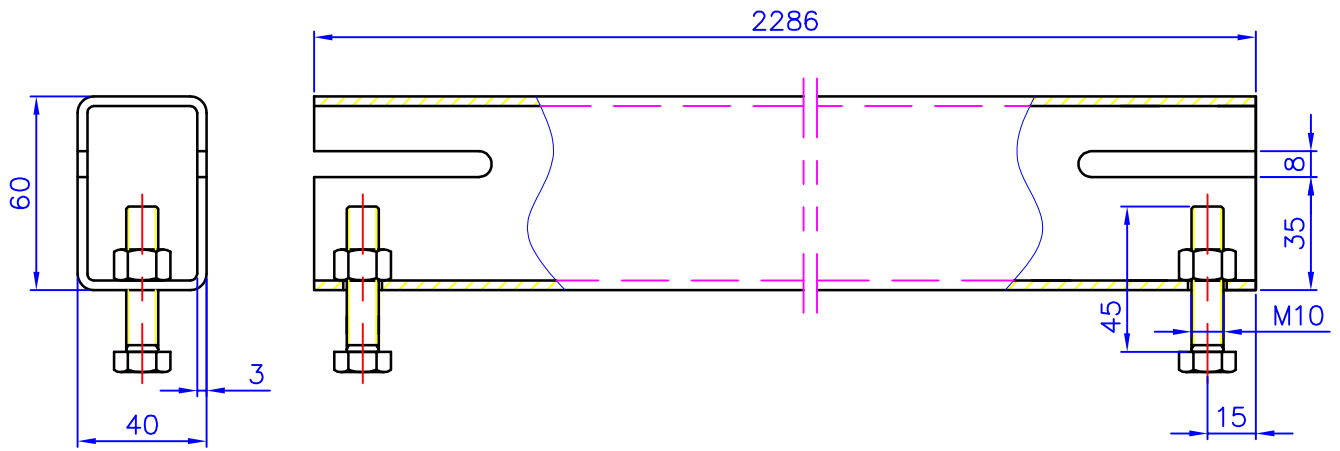
TITLE	Container Inspection Tool 集装箱验箱工具	WEIGHT	KGS		
SPEC	Set	MATERIAL			
PART NO.	CIMC-D36-05/06	UNIT	mm	PAGE NO.	65



CIMC

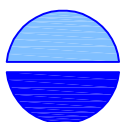


Authorized Distributor:
Pacific Marine & Industrial
www.pacificmarine.net
info@pacificmarine.net



Finish: Hot Dip Galvanized, Min Thickness:75um.

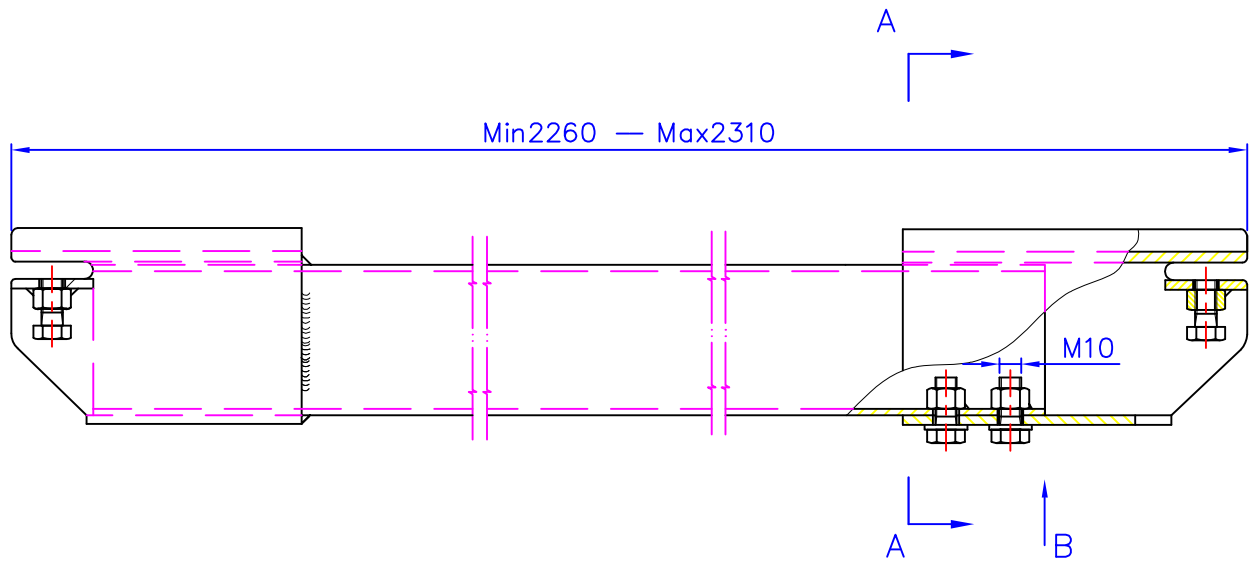
TITLE	Garment Hanger Bar 挂衣架	WEIGHT	11.000 KGS		
SPEC	L=2286mm	MATERIAL	Q235		
PART NO.	CIMC-D37-01	UNIT	mm	PAGE NO.	66



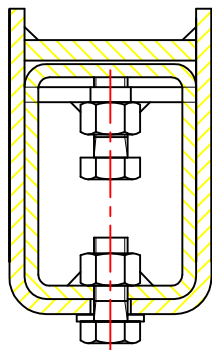
CIMC



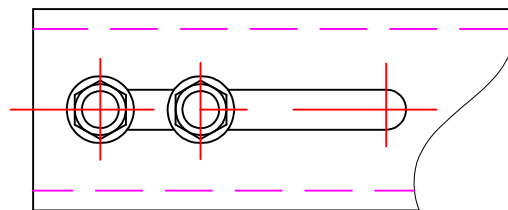
Authorized Distributor:
Pacific Marine & Industrial
www.pacificmarine.net
info@pacificmarine.net



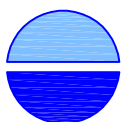
A-A



B向



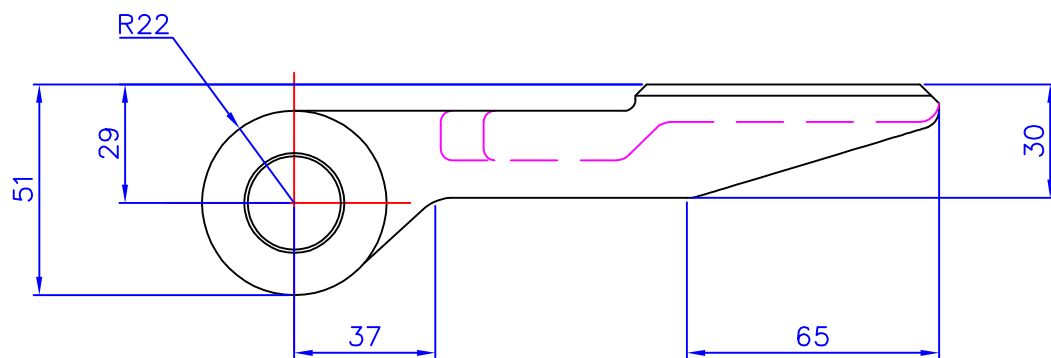
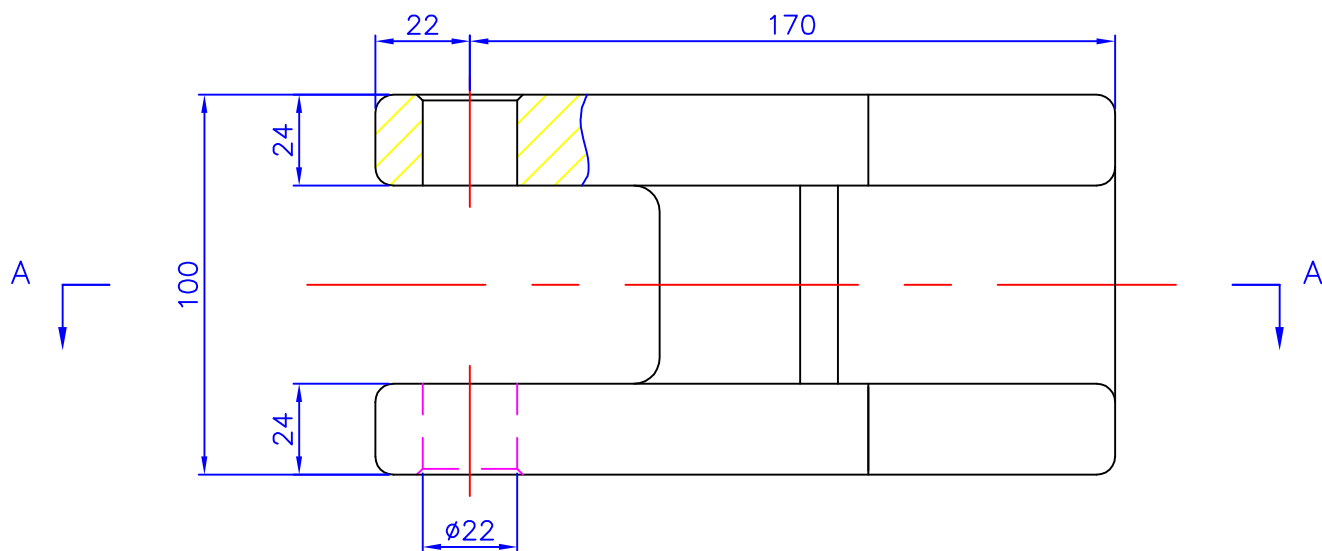
TITLE	Garment Hanger Bar 挂衣架	WEIGHT	16.000 KGS		
SPEC		MATERIAL	Q235		
PART NO.	CIMC-D37-02	UNIT	mm	PAGE NO.	67



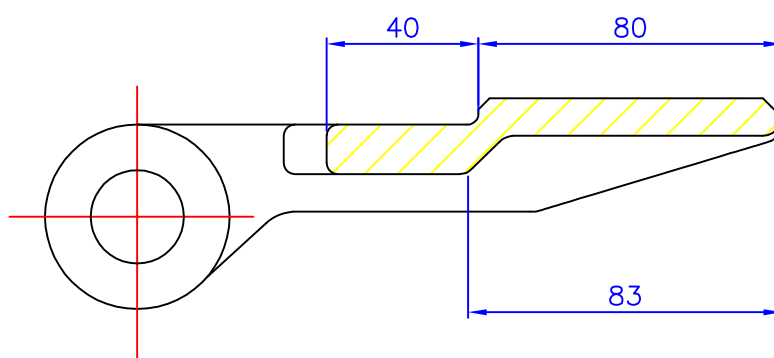
CIMC



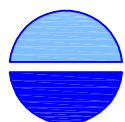
Authorized Distributor:
Pacific Marine & Industrial
www.pacificmarine.net
info@pacificmarine.net



A-A



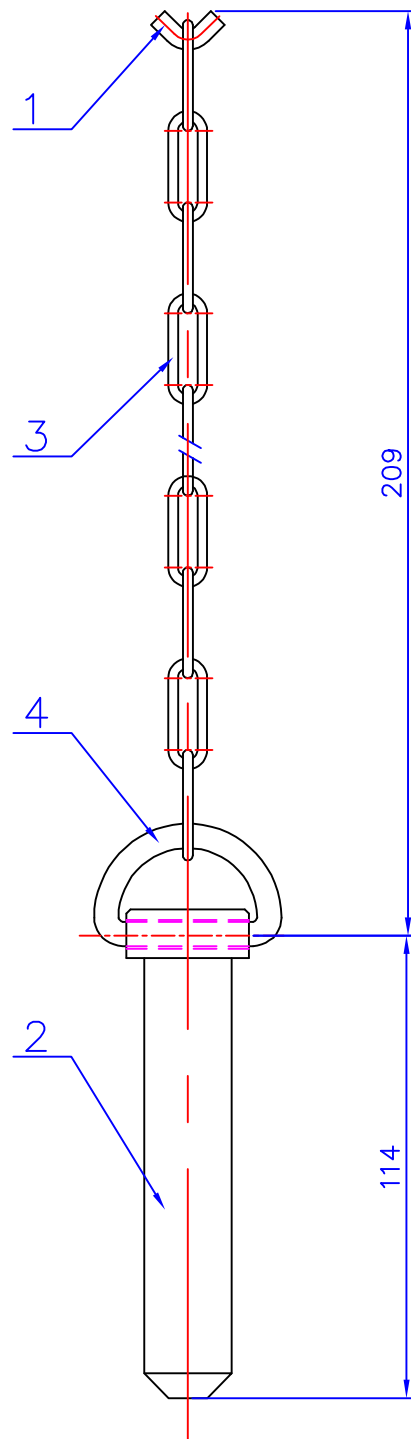
TITLE	Hing Blade,Open Top 开顶箱铰链板	WEIGHT	3.500 KGS		
SPEC		MATERIAL			
PART NO.	CIMC-K01-05	UNIT	mm	PAGE NO.	68



CIMC

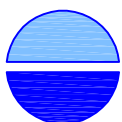


Authorized Distributor:
Pacific Marine & Industrial
www.pacificmarine.net
info@pacificmarine.net



REF. NO.	DESCRIPTION	DRG.NO.	PCS
1	Staple For Locking Pin	R47300-0009-01	1
2	Locking Pin	R47300-0009-02	1
3	Chain	R47300-0009-03	X
4	Chain End Ring	R47300-0009-04	1

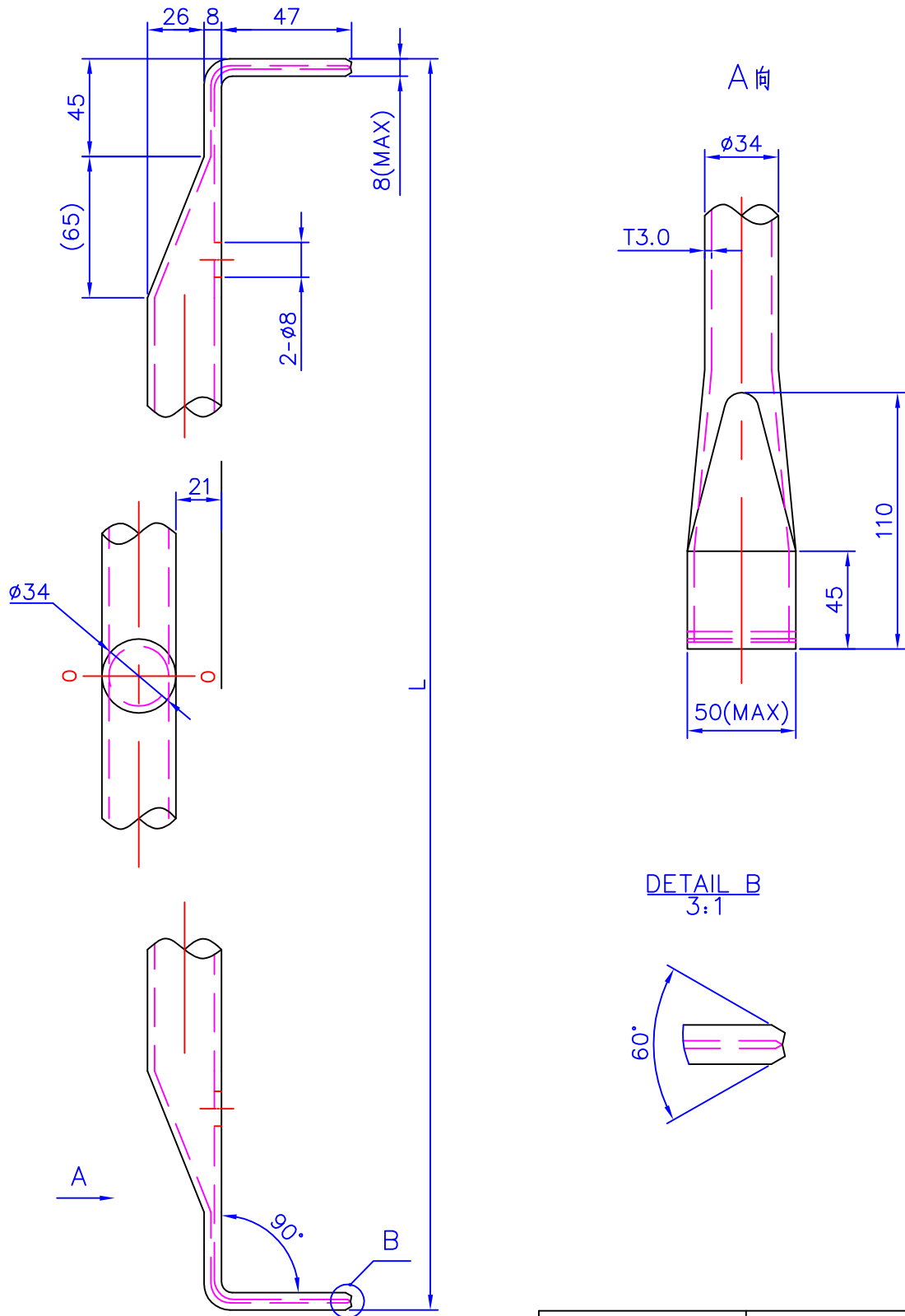
TITLE	Hing Pin with Chain 开顶箱铰链销 (带链条)	WEIGHT	KGS		
SPEC		MATERIAL	SS400		
PART NO.	CIMC-K01-06-1	UNIT	mm	PAGE NO.	69



CIMC

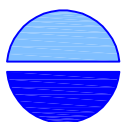


Authorized Distributor:
Pacific Marine & Industrial
www.pacificmarine.net
info@pacificmarine.net



PART NO.	SPEC	WEIGHT
CIMC-K03-01	T=3.0 L=2260	5.8
CIMC-K03-02	T=3.0 L=2325	6.2

TITLE	Roof Bow 开顶箱加强筋	WEIGHT	KGS		
SPEC	T=3.0 L=2260/2325	MATERIAL	Q235B		
PART NO.	CIMC-K03-01/02	UNIT	mm	PAGE NO.	70



CIMC



Authorized Distributor:
Pacific Marine & Industrial
 www.pacificmarine.net
 info@pacificmarine.net