

# **CIMC ISO REEFER REPAIRING SPARE PARTS CATALOG**

**2012 Edition**



**CIMC**

**CIMC Spare Parts Service Business Center**



Authorized Distributor:  
**Pacific Marine & Industrial**  
[www.pacificmarine.net](http://www.pacificmarine.net)  
[info@pacificmarine.net](mailto:info@pacificmarine.net)



## CIMC SPARE PARTS LIST (REEFER PART)

2012

Code No.	品名	Description	Material	Weight(kg)	Spec	Page
CIMC-01-001-1	底角封	Flashing side	6061-T6	5.600	L=5600	1
CIMC-01-001-2	底角封	Flashing side	6061-T6	11.700	L=11700	
CIMC-01-003-1	顶角封	Top side angle	6061-T6	2.000	L=5550	2
CIMC-01-003-2	顶角封	Top side angle	6061-T6	4.200	L=11650	
CIMC-01-005-2	后底梁型材	Door sill ledge	PVC	3.800	L=2320	3
CIMC-01-006	后底梁型材	Door sill ledge	PVC	1.800	L=2308	4
CIMC-01-008	不锈钢插销	Hinge pin	SUS304	0.240	L=149	5
CIMC-01-008-2	不锈钢插销	Hinge pin	SUS304	0.200	L=122	6
CIMC-01-008-3	不锈钢插销	Hinge pin	SUS304	0.260	L=162	7
CIMC-02-003	铝底横梁	Cross member	6061-T6	7.870	H=100, L=2350	8
CIMC-02-004	铝底纵梁	Bottom side rail	6061-T6	27.750	L=5702	9
CIMC-02-007	底横梁夹持板	Cross member clip	6061-T6	6.240	L=2400	10
CIMC-02-008	底横梁夹持板	Cross member clip	6061-T6	7.200	L=2400	11
CIMC-02-009	铝底横梁	Cross member	6061-T6	6.181	H=100, L=2350	12
CIMC-02-009-1	铝底横梁	Cross member	6061-T6	8.225	H=124, L=2350	13
CIMC-02-009-2	铝底横梁	Cross member	6061-T6	7.332	H=80, L=2350	14
CIMC-02-009-3	铝底横梁	Cross member	6061-T6	6.181	H=124, L=2350	15
CIMC-02-010	铝底侧梁	Bottom side rail	6061-T6	25.944	L=5702	16
CIMC-02-011B	底侧梁	Bottom side rail	Corten	6.14/m	4.5X25X128X25X3000	
CIMC-02-012	底侧梁	Bottom side rail	Corten	6.90/m	4.5X25X150X25X3000	
CIMC-02-013	底侧梁	Bottom side rail	Corten	5.34/m	4.5X25X105X25X3000	
CIMC-02-014	底侧梁	Bottom side rail	Corten	5.62/m	4.5X45X150X25X3000	
CIMC-02-015	底横梁	Cross Member	Corten/MGSS	35.700	4.0X289X2345	18
CIMC-02-016	底横梁	Cross member	Corten	14.600	4.5X50X80X50X2345	19
CIMC-02-017	主横梁	Bolster bottom	Corten	28.000	4.5X119X120X119X2345	20
CIMC-02-018	叉槽	Fork pocket	Corten	76.600	L=2345	21
CIMC-02-019-1	波纹底板	Bottom Sheet	Corten	35.000	1.6X1040X2345	22
CIMC-02-020-1	波纹底板	Bottom Sheet	Corten	35.000	1.6X1040X2345	23
CIMC-02-021-1	波纹底板	Bottom Sheet	Corten	35.000	1.6X995X2345	24
CIMC-02-022-1	波纹底板	Bottom Sheet	Corten	35.000	1.6X995X2345	25
CIMC-03-001	"T"型地板	T-floor	6061-T6	6.137/m	L=5700	26
CIMC-03-002	"T"型地板(侧)	T-floor side	6061-T6	1.651/m	L=5700	27
CIMC-03-003	"T"型地板	T-floor	6061-T6	5.772/m	L=5700	28
CIMC-03-004	"T"型地板(中间)	T-floor middle	6061-T6	3.551/m	L=5700	29
CIMC-03-005	"T"型地板(中间)	T-floor middle	6061-T6	3.645/m	L=5700	30
CIMC-03-006	"T"型地板	T-floor	6061-T6	6.002/m	L=5700	31
CIMC-03-007	"T"型地板(中间)	T-floor middle	6061-T6	1.651/m	L=5700	32
CIMC-03-008	"T"型地板	T-floor	6061-T6	4.590/m	L=5700	33
CIMC-03-009	门槛铝材	Sill Gutter	6061-T6	5.700	L=2305	34
CIMC-03-012	门槛铝材	Sill Gutter	6061-T6	5.300	L=2305	35
CIMC-03-013	门槛铝材	Sill Gutter	6061-T6	4.700	L=2305	36
CIMC-03-014	"T"型地板补片	Air Flow Bottom	6061-T6	0.830/m	L=3600	37
CIMC-03-015	"T"型地板补片	Air Flow Top	6061-T6	0.950/m	L=3600	
PA-008-04	铝保护板	Alu Connection Frame	6061-T6	0.300		38
CIMC-04-001-1	前角柱	Front corner post	Corten	67.600	L=2660	39
CIMC-04-001-2	前角柱	Front corner post	Corten	59.800	L=2355	
CIMC-04-002-1	前角柱	Front corner post	Corten	67.600	L=2660	40
CIMC-04-002-2	前角柱	Front corner post	Corten	59.800	L=2355	
CIMC-05-001-1	后外角柱	Rear post outer	Corten	32.200	L=2660	41
CIMC-05-001-2	后外角柱	Rear post outer	Corten	28.500	L=2355	
CIMC-05-002-1	后内角柱	Rear post inner	Corten	11.530	L=2660	42
CIMC-05-002-2	后内角柱	Rear post inner	Corten	10.200	L=2355	
CIMC-05-003-1	后内角柱	Rear post inner	Corten	16.910	L=2660	
CIMC-05-003-2	后内角柱	Rear post inner	Corten	14.970	L=2355	
CIMC-05-004-1	后内角柱	Rear post inner	Corten	7.520	L=2660	
CIMC-05-004-2	后内角柱	Rear post inner	Corten	6.660	L=2355	43



Authorized Distributor:

Pacific Marine &amp; Industrial

www.pacificmarine.net

info@pacificmarine.net



## CIMC SPARE PARTS LIST (REEFER PART)

2012

Code No.	品名	Description	Material	Weight(kg)	Spec	Page
CIMC-06-001	外密封	Door sealing outer	EPDM	6.000	Set	44
CIMC-06-001-1	外密封	Door sealing outer	EPDM	1.500	A-A section,L=2500	
CIMC-06-001-2	外密封	Door sealing outer	EPDM	1.500	C-C section,L=2500	45
CIMC-06-002	外密封	Door sealing outer	EPDM	6.000	Set	
CIMC-06-003	内密封	Door sealing inside	EPDM	6.000	Set	46
CIMC-06-003-1	内密封	Door sealing inside	EPDM	1.500	X section,L=2500	
CIMC-06-003-2	内密封	Door sealing inside	EPDM	1.500	Y section,L=2500	
CIMC-06-004	内密封	Door sealing inside	EPDM	6.000	Set	47
CIMC-06-005	内密封	Door sealing inside	EPDM	6.000	Set	48
CIMC-06-005-1	内密封	Door sealing inside	EPDM	1.500	X section,L=2500	
CIMC-06-005-2	内密封	Door sealing inside	EPDM	1.500	Y section,L=2500	49
CIMC-06-006	内密封	Door sealing inside	EPDM	6.000	Set	
CIMC-06-006-1	内密封	Door sealing inside	EPDM	1.500	X section,L=2500	
CIMC-06-006-2	内密封	Door sealing inside	EPDM	1.500	Y section,L=2500	50
CIMC-06-007	内密封	Door sealing inside	EPDM	6.000	Set	
CIMC-06-008	门封保持架	Door frame profile	PVC	1.500	L=2519	51
CIMC-06-009	门封保持架	Door frame profile	PVC	1.500	L=2519	52
CIMC-06-010	门封保持架	Door frame profile	PVC	1.500	L=2540	53
CIMC-06-011	门型材(铝)	Door frame	6061-T6	3.978	L=2600	54
CIMC-06-011-1	门型材(铝)	Door frame	6061-T6	1.670	L=1117	
CIMC-06-011-3	门型材(铝)	Door frame	6061-T6	3.780	L=2532	
CIMC-06-012-1	门封保持架	Door frame profile	PVC	0.700	L=1125	55
CIMC-06-012-2	门封保持架	Door frame profile	PVC	1.500	L=2540	
CIMC-06-012-3	门封保持架	Door frame profile	PVC	1.400	L=2235	
CIMC-06-013	左门板	Door panel left	MGSS	33.396	1.6X1070X2485	56
CIMC-06-014	右门板	Door panel right	MGSS	33.396	1.6X1070X2485	57
CIMC-06-015	门板	Door panel	MGSS	29.297	1.6X1070X2180	
CIMC-06-016	门内衬	Door lining	SUS304			58
CIMC-06-016-1	门内衬 (For Steel Door)	Door lining	SUS304	16.311	0.7X1105X2520	
CIMC-06-016-2	门内衬 (For Wooden Door)	Door lining	SUS304	15.063	0.7X1079X2497	
CIMC-06-016-3	门内衬 (For Wooden Door)	Door lining	SUS304	15.237	0.7X1091X2497	59
CIMC-06-017	门内衬	Door lining	SUS304			
CIMC-06-017-1	门内衬 (For Steel Door)	Door lining	SUS304	14.375	0.7X1105X2215	
CIMC-06-017-2	门内衬 (For Wooden Door)	Door lining	SUS304	13.271	0.7X1079X2192	
CIMC-06-017-3	门内衬 (For Wooden Door)	Door lining	SUS304	13.412	0.7X1091X2192	60
CIMC-06-018	门铰链	Door hinge	SS41	2.500		
CIMC-06-018-1	门铰链	Door hinge	SS41	2.000		61
CIMC-06-019	门铰链	Door hinge	SS41	2.500		62
CIMC-06-019-1	门铰链	Door hinge	SS41	2.000		63
CIMC-06-019-2	防撞块	Door Bumper	EPDM			64
CIMC-06-020	门铰链	Door hinge	SS41	2.400		65
CIMC-06-021	门铰链	Door hinge	SS41	2.400		66
CIMC-06-022	门铰链	Door hinge	6061-T6	1.000		67
CIMC-06-023	门铰链	Door hinge	6061-T6	1.000		68
CIMC-06-025	门封条	Door Gasket, "H" Type	EPDM	6.000	Set	69
CIMC-06-025-1	门封条	Door Gasket, "H" Type	EPDM	1.500	L=2500	
CIMC-06-026	门型材	Door frame profile	PVC	1.500	L=2600	70
CIMC-06-026-1	门型材	Door frame profile	PVC	0.700	L=1200	
CIMC-06-026-2	门型材	Door frame profile	PVC	1.400	L=2400	
0302HDL-2301	门封条	Door Gasket	EPDM	6.000	Set	71
0302HDL-2301	门封条	Door Gasket	EPDM	1.500	L=2500	
0301HD-06-6	门封条	Door Gasket	EPDM	1.500	L=2500	72
HD-2	门封条	Door Gasket	EPDM	1.500	L=2500	
CIMC-07-001-1	外侧板	Side panel	MGSS	22.500	1.0X1205X2490	73
CIMC-07-001-2	外侧板	Side panel	MGSS	19.747	1.0X1205X2185	
CIMC-07-0013	外侧板	Side panel	MGSS	22.597	1.0X1210X2490	74





## CIMC SPARE PARTS LIST (REEFER PART)

2012

Code No.	品名	Description	Material	Weight(kg)	Spec	Page
CIMC-07-002-1	内侧板	Side lining	SUS304	17.250	0.7X1220X2547	75
CIMC-07-002-2	内侧板	Side lining	SUS304	15.300	0.7X1220X2250	76
CIMC-07-002-3	内侧板	Side lining	SUS304	15.000	0.7X1220X2210	77
CIMC-07-003	加强筋	Post				78
CIMC-07-003-1	加强筋	Post	Corten	6.100	L=2532	
CIMC-07-003-2	加强筋	Post	MGSS	1.700	L=2532	
CIMC-07-003-3	加强筋	Post	Corten	3.994	L=2520	
CIMC-07-004	内侧板	Side lining	SUS304			79
CIMC-07-004-1	内侧板	Side lining	SUS304	17.100	0.7X1220X2520	
CIMC-07-004-2	内侧板	Side lining	SUS304	15.200	0.7X1220X2230	
CIMC-08-001	外顶板	Roof panel	MGSS			80
CIMC-08-001-1	外顶板	Roof panel	MGSS	22.400	1.0X1220X2354	
CIMC-08-001-2	外顶板	Roof panel	MGSS	22.500	1.0X985X2380	
CIMC-08-001-3	外顶板	Roof panel	MGSS		1.0X1220X2370	
CIMC-08-002	内顶板	Roof lining	5052-H46	57.200	0.8X2266X11270	81
CIMC-08-003	内顶板	Roof lining	5052-H46	57.200	0.8X2266X11270	82
CIMC-08-004	内顶板	Roof lining	SUS304	15.400	0.7X1220X2266	83
CIMC-08-005	内顶板	Roof lining	5052-H46	24.400	0.8X2266X4810	84
CIMC-08-006	内顶板	Roof lining	5052-H46	24.400	0.8X4810X2266	85
CIMC-09-001	冷机PVC	Ledge	PVC	1.500	1911	86
CIMC-09-002	冷机PVC	Ledge	PVC	1.600	2121	87
CIMC-09-003	冷机PVC	Ledge	PVC	1.800	2580	88
CIMC-09-004	冷机PVC	Ledge	PVC	2.100	2286	89
CIMC-09-005/A	滴水器	Kazoo Drain		0.600		90
CIMC-09-005/B1	滴水器	SCRC Drain		0.200		91
CIMC-09-005/B2	滴水器	Kazoo Drain		0.400		92
CIMC-09-005/C	自动滴水器	Auto Drain		0.150		93
CIMC-09-005/C-1	铝筒	Alu Tube	Alu	0.110		
CIMC-09-005/C-2	自动滴水器中央部分	Auto Drain Center Part	PVC	0.040		
CIMC-09-006-1	漏水口	Kazoo	EPDM	0.025	Φ42mm	94
CIMC-09-006-2	漏水口	Kazoo	EPDM	0.021	Φ36mm	95
CIMC-09-006-3	PVC法兰盘	PVC Drain Pipe	PVC	0.045	Φ40mm	96
CIMC-09-006-4	黑色连接管	PVC PIPENIPPEL	PVC	0.030	for Kazoo Φ42	97
CIMC-09-006-5	黑色连接管	PVC PIPENIPPEL	PVC	0.020	for Kazoo Φ34	
CIMC-09-006-6	滴水器塞子	PVC Plugs f. drain with ring and steel wire	EPDM	0.040	Top Φ32mm, Bottem Φ27mm, H=26mm	98
CIMC-09-006-7	滴水器塞子	PVC Plugs f. drain with ring and steel wire	EPDM	0.050	TopΦ41mm, Bottom Φ36mm, H=21mm	
CIMC-09-007	分层柱	Delamination		0.111	H=84mm	99
CIMC-09-007-1	分层柱	Delamination			H=110mm	
CIMC-09-007-2	分层柱	Delamination			H=120mm	
CIMC-10-001	冷机门	Unit side plate(A)	6061-T6	3.300	L=1900	100
CIMC-10-002	冷机门	Unit side plate(B)	6061-T6	0.700	L=1888	101
CIMC-10-003	弹簧	Tension spring	SUS304	0.075		102
CIMC-10-004	小吊耳	Hinge lug	MGSS	0.100		103
CIMC-10-005	冷箱大托架外	Bearing Bracket Outer, L	SS41			104
CIMC-10-005-1	冷箱大托架外	Bearing Bracket Outer, L	SS41			105
CIMC-10-006	冷箱大衬套	Large Split Bush for reefe	PVC			106
CIMC-11-001	顶纵梁	Top side rail	Corten	37.400	L=5700	107
CIMC-11-002	顶纵梁	Top side rail	Corten	37.400	L=5700	108
CIMC-11-004	顶纵梁	Top side rail	6061-T6	19.500	L=5702	109
CIMC-11-007	顶纵梁	Top side rail	6061-T6	20.299	L=5702	110
CIMC-11-008	顶纵梁	Top side rail	6061-T6	16.821	L=5702	111
CIMC-11-009	顶纵梁	Roof Bow	6061-T6	2.068	L=2350	112
CIMC-11-010-1	内壁柱	Side Post Inner	6061-T6	4.643	L=2780	113
CIMC-11-010-2	外壁柱	Side Post Outer	6061-T6	3.920	L=2780	
CIMC-11-012	顶纵梁	Top side rail	6061-T6	11.518	L=5702	114





## CIMC SPARE PARTS LIST (REEFER PART)

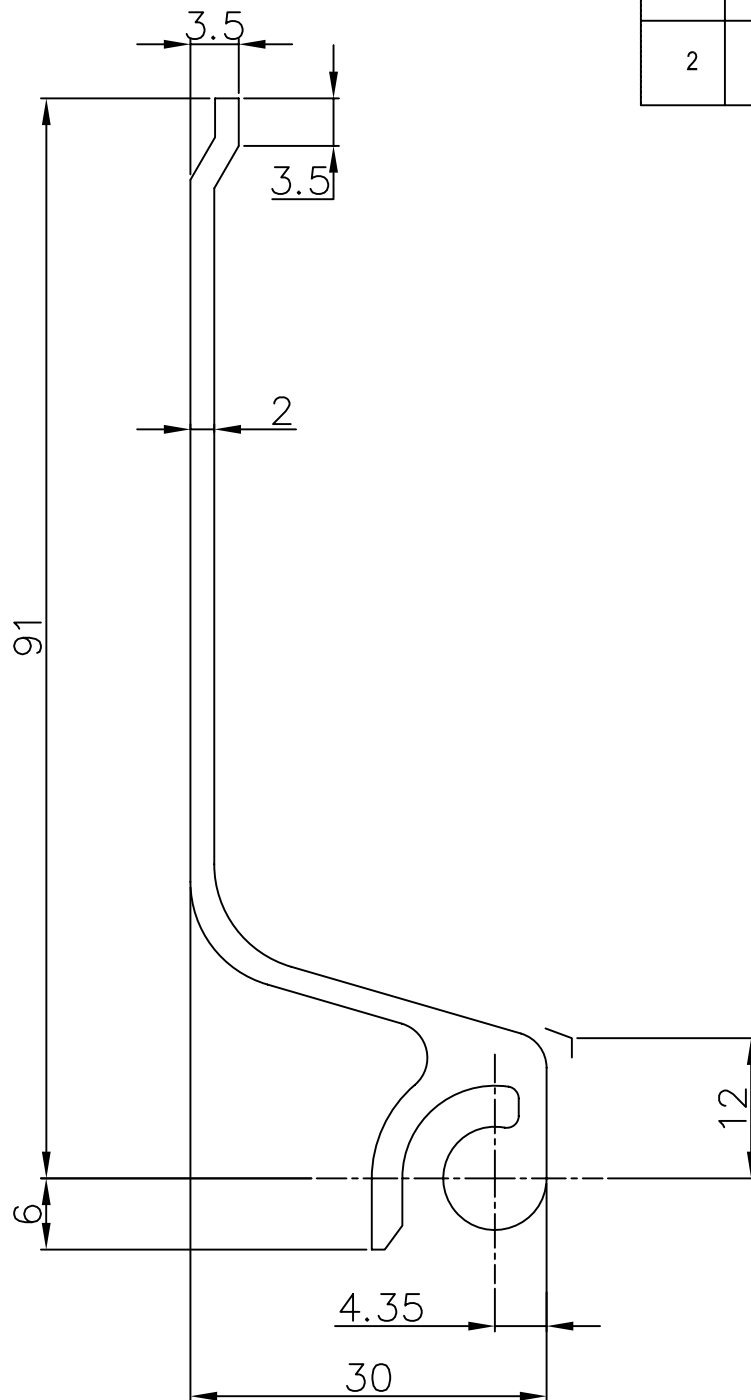
2012

Code No.	品名	Description	Material	Weight(kg)	Spec	Page
CIMC-12-001A	不锈钢防水铆钉	Monobolt	Stainless Steel		2711-0613, 4.8X10	115
CIMC-12-001B	不锈钢防水铆钉	Monobolt	Stainless Steel		2711-0617, 4.8X14	
CIMC-12-001C	不锈钢防水铆钉	Monobolt	Stainless Steel		2711-0817, 6.4X14	
CIMC-12-001D	不锈钢防水铆钉	Monobolt	Stainless Steel		2711-0824, 6.4X19	
CIMC-12-002A	铝防水铆钉	Monobolt	Alu		2774-0613, 4.8X10	116
CIMC-12-002B	铝防水铆钉	Monobolt	Alu		2774-0617, 4.8X14	
CIMC-12-002C	铝防水铆钉	Monobolt	Alu		2774-0817, 6.4X14	
CIMC-12-002D	铝防水铆钉	Monobolt	Alu		2774-0824, 6.4X19	
CIMC-12-002E	封闭型抽芯铝铆钉	Alu Blind Rivet Sealed	Alu		4.8X19	
CIMC-12-002F	封闭型抽芯铝铆钉	Alu Blind Rivet Sealed	Alu		6.4X16	
CIMC-12-002G	封闭型抽芯铝铆钉	Alu Blind Rivet Sealed	Alu		6.4X25	
CIMC-12-002H	封闭型抽芯铝铆钉	Alu Blind Rivet Sealed	Alu		5X15	
CIMC-13-001	铝环槽铆钉	Huckbolt	Alu		2801-0804, 6.4X6	117
CIMC-13-002	铝环槽铆钉	Huckbolt	Alu		2801-0806, 6.4X8	
CIMC-13-003	铝环槽铆钉	Huckbolt	Alu		2801-0808, 6.4X12	
CIMC-13-004	铝环槽铆钉帽	Huckbolt Collar	Alu		2839-08, M6.4	
CIMC-13-005	铝环槽铆钉	Huckbolt	Alu		2801-1004, 8X6	
CIMC-13-006	铝环槽铆钉	Huckbolt	Alu		2801-1006, 8X8	
CIMC-13-006-1	铝环槽铆钉	Huckbolt	Alu		2801-1008, 8X10	
CIMC-13-007	铝环槽铆钉	Huckbolt	Alu		2801-1010, 8X12	
CIMC-13-008	铝环槽铆钉帽	Huckbolt Collar	Alu		2837-10, M8	
CIMC-13-009	铝环槽铆钉	Huckbolt	Alu		2801-1204, 10X6	
CIMC-13-010	铝环槽铆钉	Huckbolt	Alu		2801-1206, 10X8	
CIMC-13-011	铝环槽铆钉	Huckbolt	Alu		2801-1208, 10X12	
CIMC-13-012	铝环槽铆钉	Huckbolt	Alu		2801-1210, 10X16	
CIMC-13-013	铝环槽铆钉	Huckbolt	Alu		2801-1212, 10X20	
CIMC-13-014	铝环槽铆钉	Huckbolt	Alu		2801-1214, 10X22	
CIMC-13-015	铝环槽铆钉	Huckbolt	Alu		2801-1216, 10X25	
CIMC-13-016	铝环槽铆钉	Huckbolt	Alu		2801-1218, 10X28	
CIMC-13-017	铝环槽铆钉	Huckbolt	Alu		2801-1220, 10X30	
CIMC-13-018	铝环槽铆钉	Huckbolt	Alu		2801-1222, 10X32	
CIMC-13-019	铝环槽铆钉	Huckbolt	Alu		2804-1222, 10X32	
CIMC-13-020	铝环槽铆钉	Huckbolt	Alu		2804-1224, 10X34	
CIMC-13-021	铝环槽铆钉	Huckbolt	Alu		2804-1226, 10X36	
CIMC-13-022	铝环槽铆钉帽	Huckbolt Collar	Alu		2805-12, M10	
CIMC-13-023	铝环槽铆钉帽(大帽檐)	Huckbolt Collar (Flange)	Alu		2809-12, M10	
CIMC-14-001-1	铝绑料	Alu Flat Bar	6061-T6		9.5X25X3000	118
CIMC-14-002-1	铝绑料	Alu Flat Bar	6061-T6		9.5X51X3000	
CIMC-14-003-1	铝绑料	Alu Flat Bar	6061-T6		9.5X89X3000	
CIMC-14-004-1	铝绑料	Alu Flat Bar	6061-T6		9.5X100X3000	
CIMC-14-005-1	铝绑料	Alu Flat Bar	6061-T6		9.5X127X3000	
CIMC-14-006-1	铝绑料	Alu Flat Bar	6061-T6		10X125X3000	
CIMC-14-007-1	铝绑料	Alu Flat Bar	6061-T6		13X89X3000	
CIMC-14-008-1	铝绑料	Alu Flat Bar	6061-T6		6.0X130X2400	
CIMC-15-01	铝实心铆钉	Aluminium solid rivets	Alu		M10X25	
CIMC-15-02	铝实心铆钉	Aluminium solid rivets	Alu		M10X30	
CIMC-15-03	铝实心铆钉	Aluminium solid rivets	Alu		M10X20	
	铝板	Alu Plate	Alu		根据客户要求	119
	不锈钢平板	Flat Plate SUS304	SUS304		根据客户要求	120
	不锈钢平板	Stainless Steel Plate	MGSS		根据客户要求	121

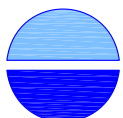


Authorized Distributor:  
**Pacific Marine & Industrial**  
[www.pacificmarine.net](http://www.pacificmarine.net)  
[info@pacificmarine.net](mailto:info@pacificmarine.net)

Type	Param.	Spec
1	CIMC-01-001-1	5600
2	CIMC-01-001-2	11700



TITLE	Flashing Side 底角封	WEIGHT	1.02kgs/m
SPEC		MATERIAL	6061-T6
PART NO.	CIMC-01-001-1/2	PAGE NO.	1

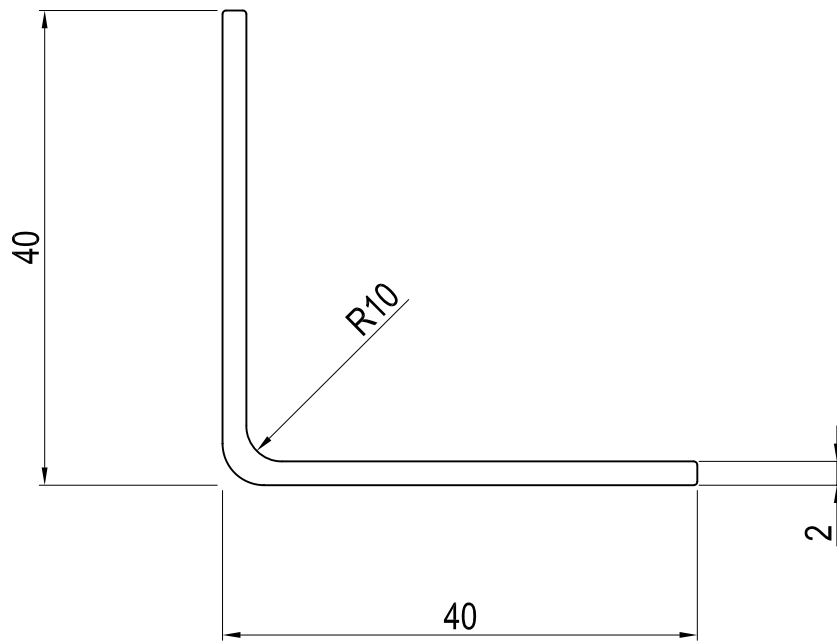


**CIMC**

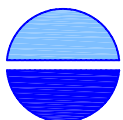


Authorized Distributor:  
**Pacific Marine & Industrial**  
[www.pacificmarine.net](http://www.pacificmarine.net)  
[info@pacificmarine.net](mailto:info@pacificmarine.net)

Type	Param.	Spec
1	CIMC-01-003-1	5550
2	CIMC-01-003-2	11650



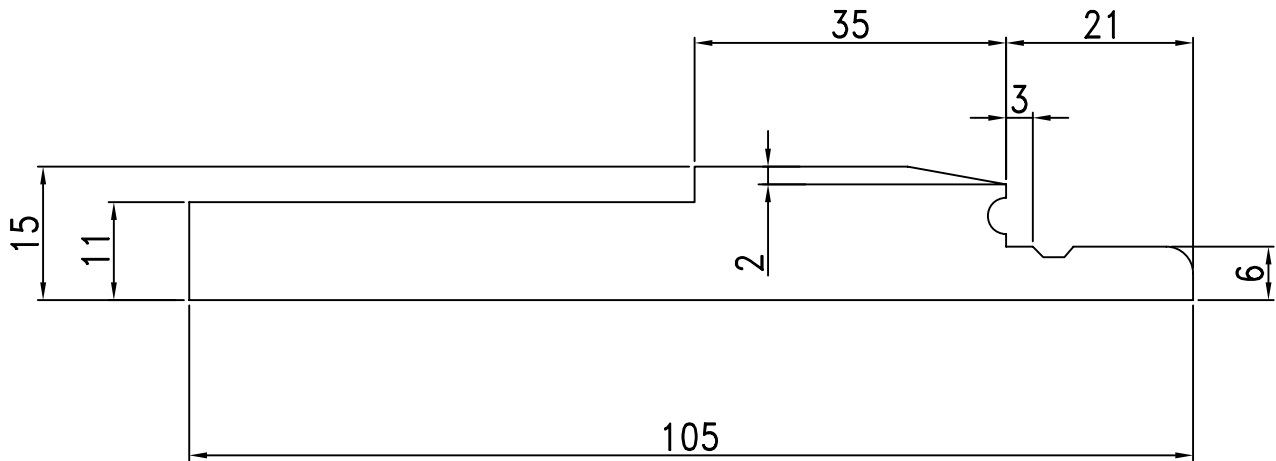
TITLE	Top Side Angle 顶角封	WEIGHT	0.426kg/m
SPEC		MATERIAL	6061-T6
PART NO.	CIMC-01-003	PAGE NO.	2



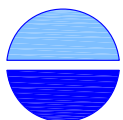
**CIMC**



Authorized Distributor:  
**Pacific Marine & Industrial**  
[www.pacificmarine.net](http://www.pacificmarine.net)  
[info@pacificmarine.net](mailto:info@pacificmarine.net)



TITLE	Door Sill Ledge 后底梁型材	WEIGHT	3.8kg
SPEC	L=2320 mm	MATERIAL	PVC
PART NO.	CIMC-01-005-2	PAGE NO.	3

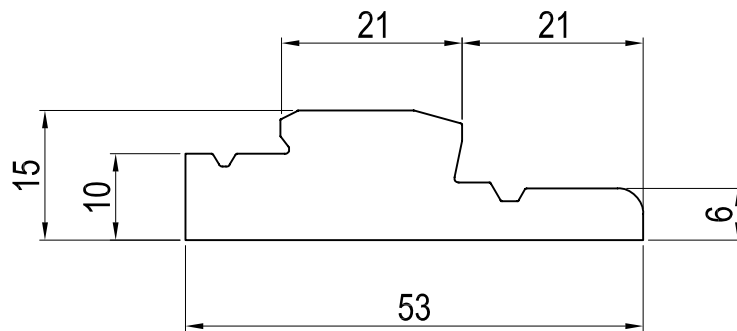


**CIMC**

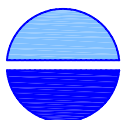


Authorized Distributor:  
**Pacific Marine & Industrial**  
[www.pacificmarine.net](http://www.pacificmarine.net)  
[info@pacificmarine.net](mailto:info@pacificmarine.net)





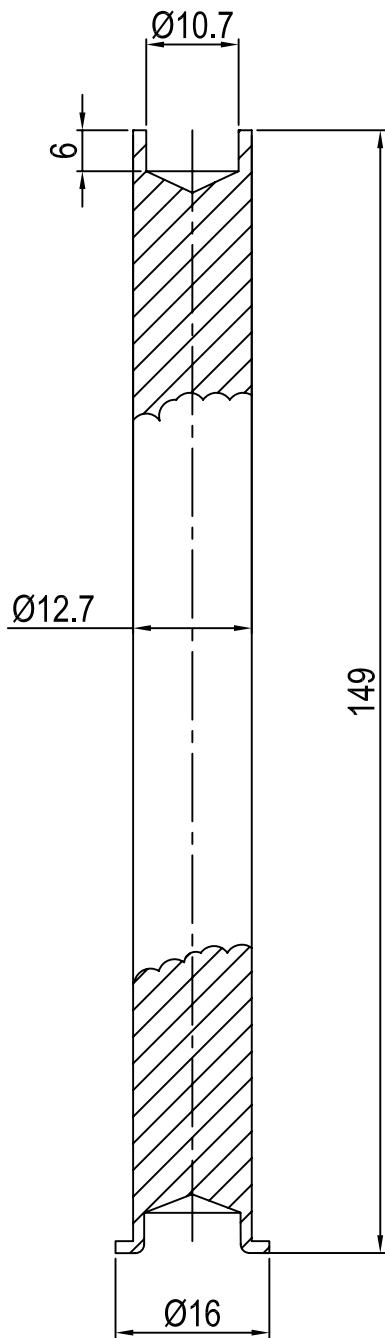
TITLE	Ledge 后底梁型材	WEIGHT	1.8kg
SPEC	L=2308 mm	MATERIAL	PVC
PART NO.	CIMC-01-006	PAGE NO.	4



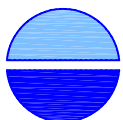
**CIMC**



Authorized Distributor:  
Pacific Marine & Industrial  
[www.pacificmarine.net](http://www.pacificmarine.net)  
[info@pacificmarine.net](mailto:info@pacificmarine.net)



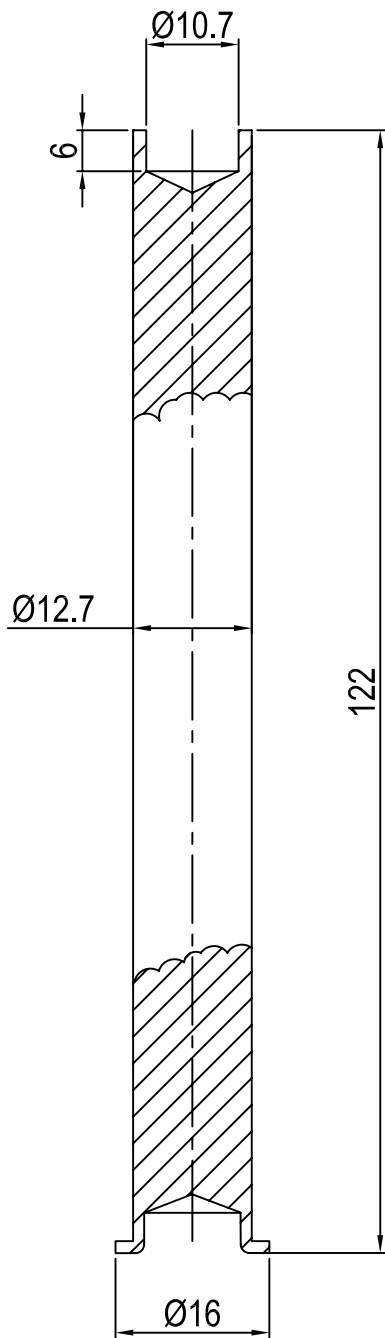
TITLE	Hinge Pin 铰链销	WEIGHT	0.240kg
SPEC	L=149 mm	MATERIAL	SUS304
PART NO.	CIMC-01-008	PAGE NO.	5



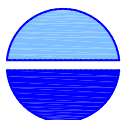
**CIMC**



Authorized Distributor:  
**Pacific Marine & Industrial**  
[www.pacificmarine.net](http://www.pacificmarine.net)  
[info@pacificmarine.net](mailto:info@pacificmarine.net)



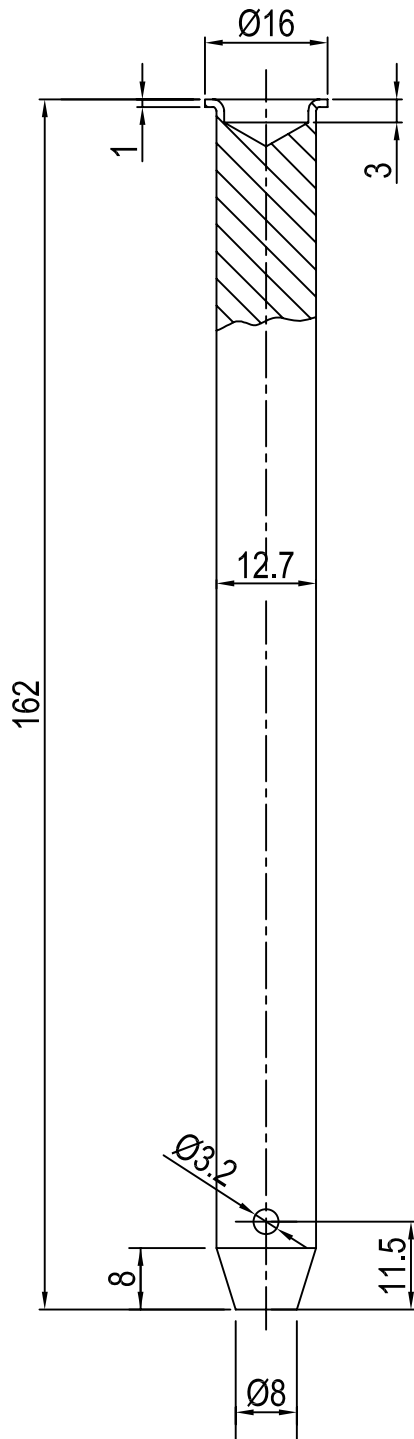
TITLE	Hinge Pin 铰链销	WEIGHT	0.20kg
SPEC	L=122 mm	MATERIAL	SUS304
PART NO.	CIMC-01-008-2	PAGE NO.	6



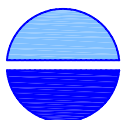
**CIMC**



Authorized Distributor:  
**Pacific Marine & Industrial**  
[www.pacificmarine.net](http://www.pacificmarine.net)  
[info@pacificmarine.net](mailto:info@pacificmarine.net)



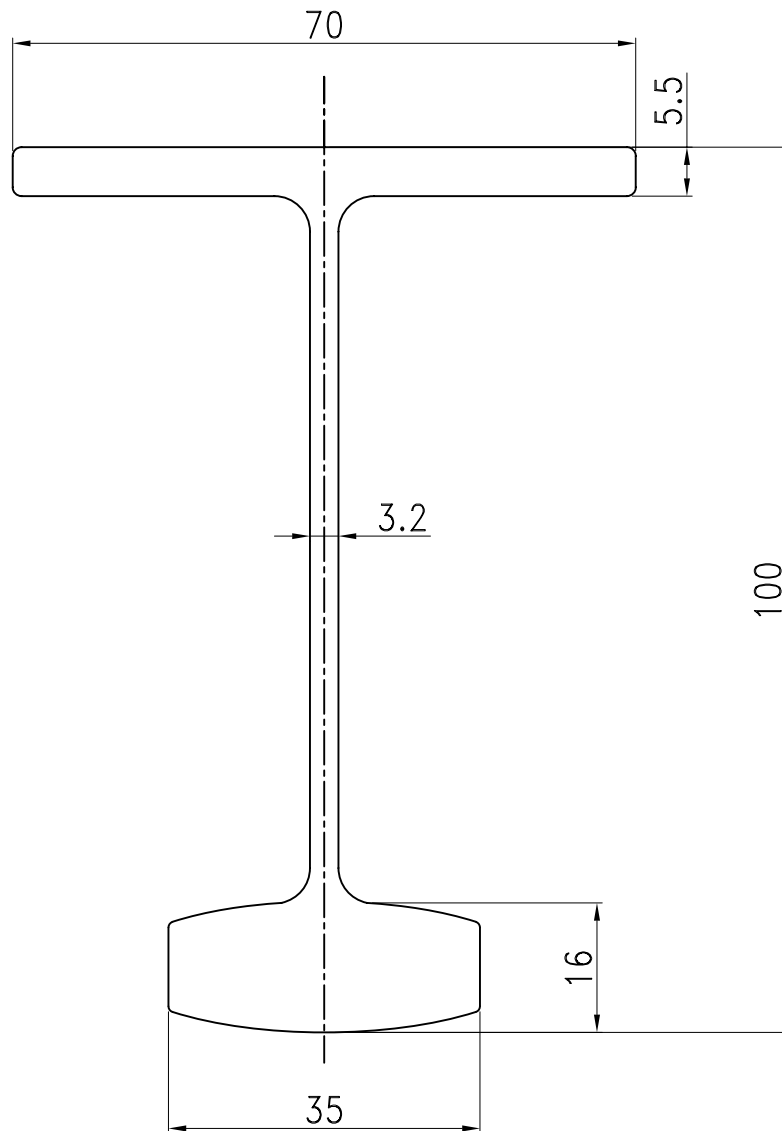
TITLE	Hinge Pin 铰链销	WEIGHT	0.26kg
SPEC	L=162 mm	MATERIAL	SUS304
PART NO.	CIMC-01-008-3	PAGE NO.	7



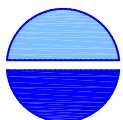
**CIMC**



Authorized Distributor:  
**Pacific Marine & Industrial**  
[www.pacificmarine.net](http://www.pacificmarine.net)  
[info@pacificmarine.net](mailto:info@pacificmarine.net)



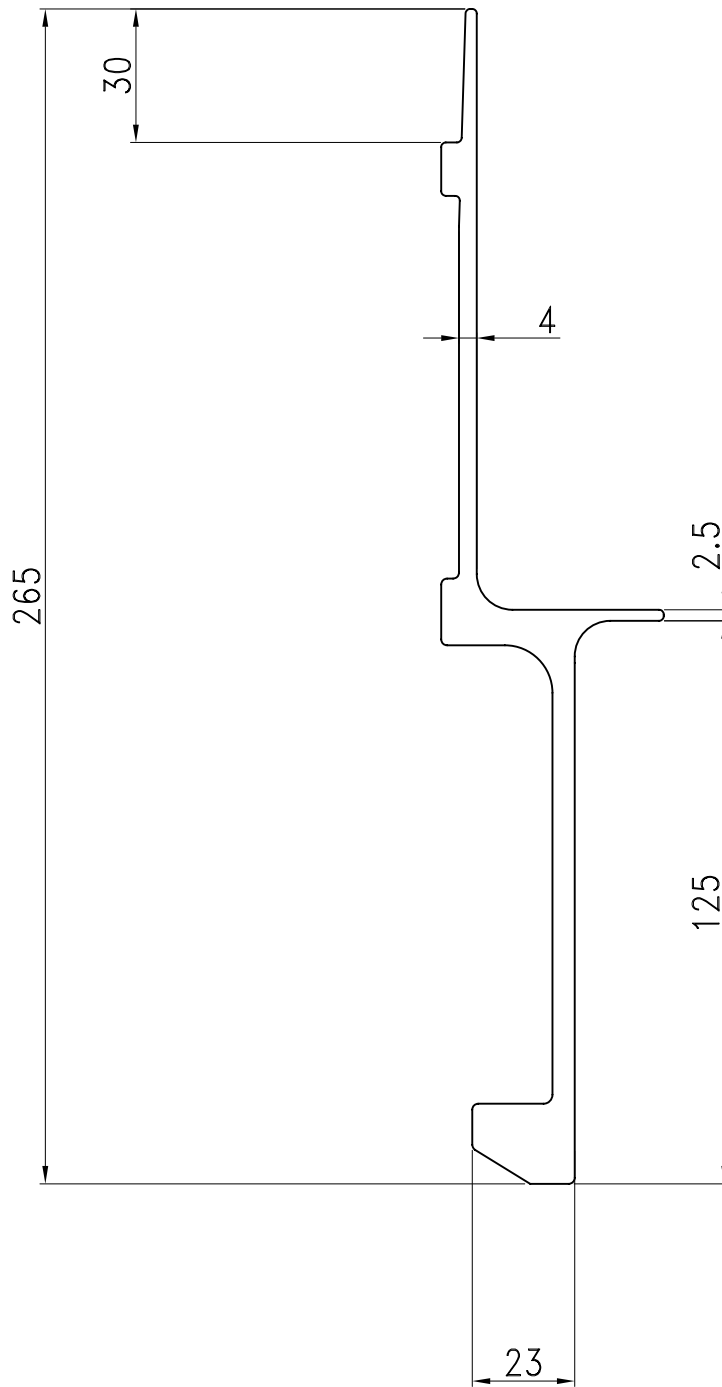
TITLE	Cross Member 底横梁	WEIGHT	7.87kgs
SPEC	L=2350mm	MATERIAL	6061-T6
PART NO.	CIMC-02-003	PAGE NO.	8



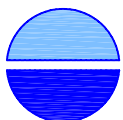
**CIMC**



Authorized Distributor:  
**Pacific Marine & Industrial**  
[www.pacificmarine.net](http://www.pacificmarine.net)  
[info@pacificmarine.net](mailto:info@pacificmarine.net)



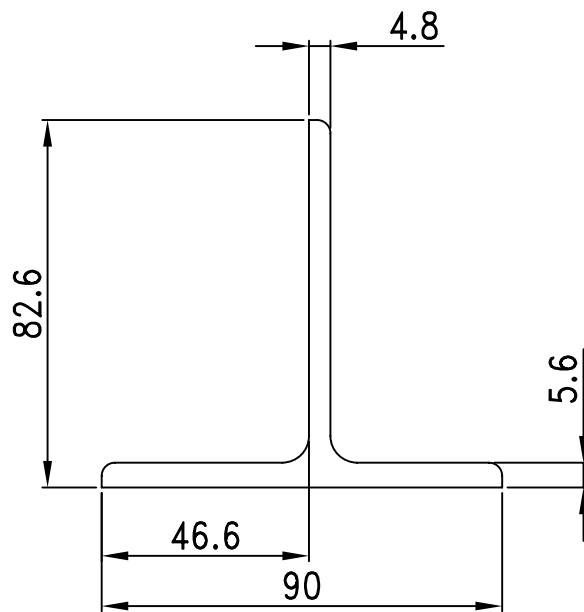
TITLE	Bottom Side Rail 底侧梁	WEIGHT	27.75kgs
SPEC	L=5702mm	MATERIAL	6061-T6
PART NO.	CIMC-02-004	PAGE NO.	9



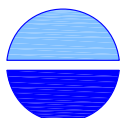
**CIMC**



Authorized Distributor:  
**Pacific Marine & Industrial**  
[www.pacificmarine.net](http://www.pacificmarine.net)  
[info@pacificmarine.net](mailto:info@pacificmarine.net)



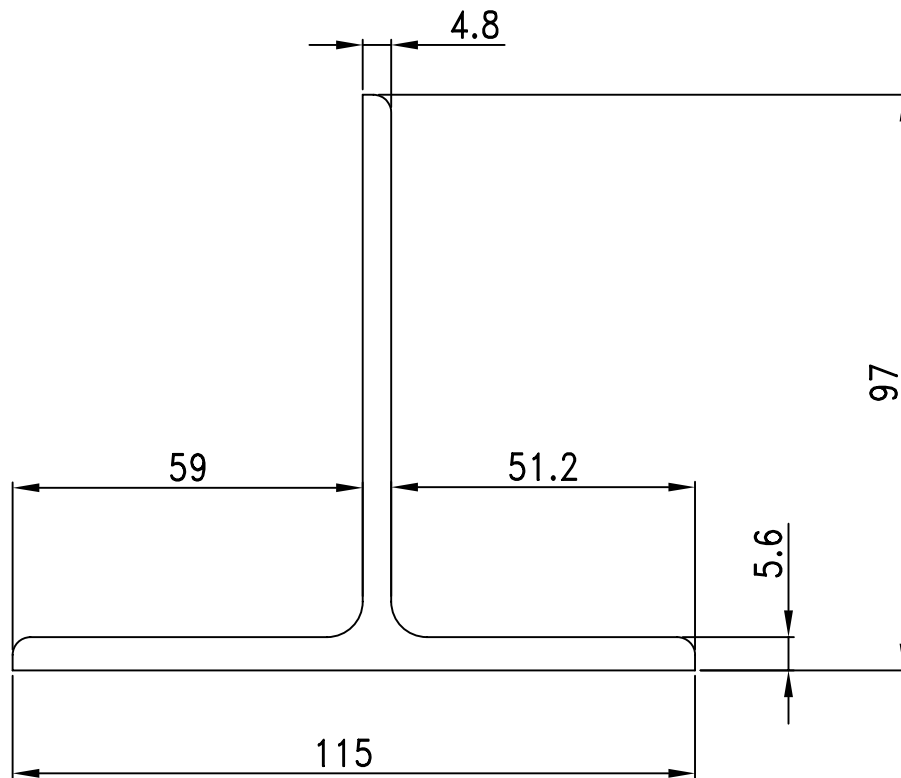
TITLE	Crossmember Clip 底横梁夹持板	WEIGHT	6.240kgs
SPEC	L=2400mm	MATERIAL	6061-T6
PART NO.	CIMC-02-007	PAGE NO.	10



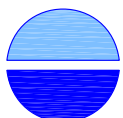
**CIMC**



Authorized Distributor:  
**Pacific Marine & Industrial**  
[www.pacificmarine.net](http://www.pacificmarine.net)  
[info@pacificmarine.net](mailto:info@pacificmarine.net)



TITLE	Crossmember Clip 底横梁夹持板	WEIGHT	7.2kgs
SPEC	L=2400mm	MATERIAL	6061-T6
PART NO.	CIMC-02-008	PAGE NO.	11

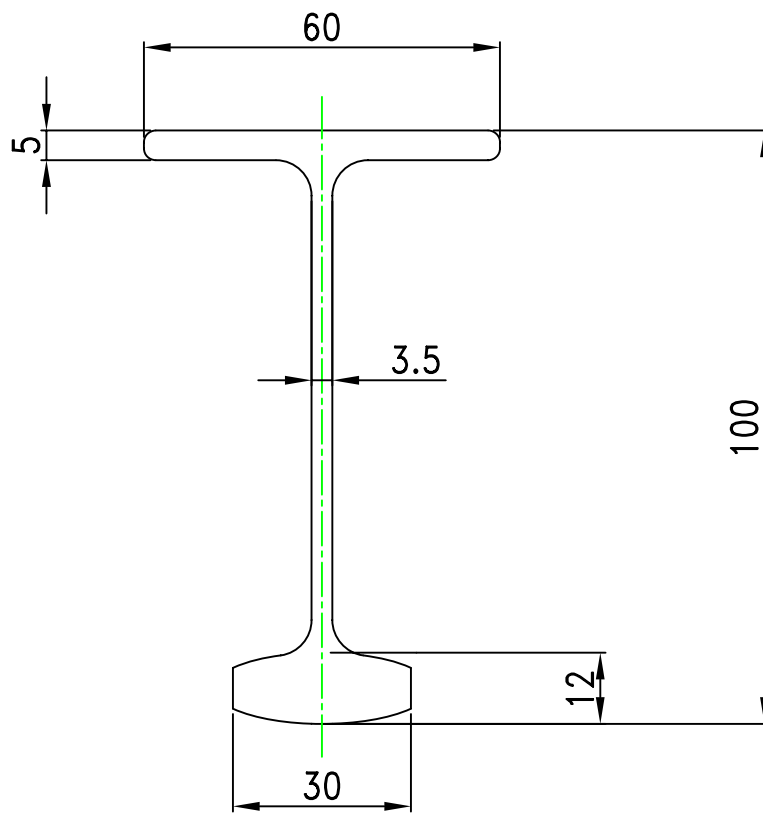


**CIMC**

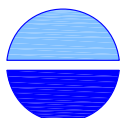


Authorized Distributor:  
**Pacific Marine & Industrial**  
[www.pacificmarine.net](http://www.pacificmarine.net)  
[info@pacificmarine.net](mailto:info@pacificmarine.net)





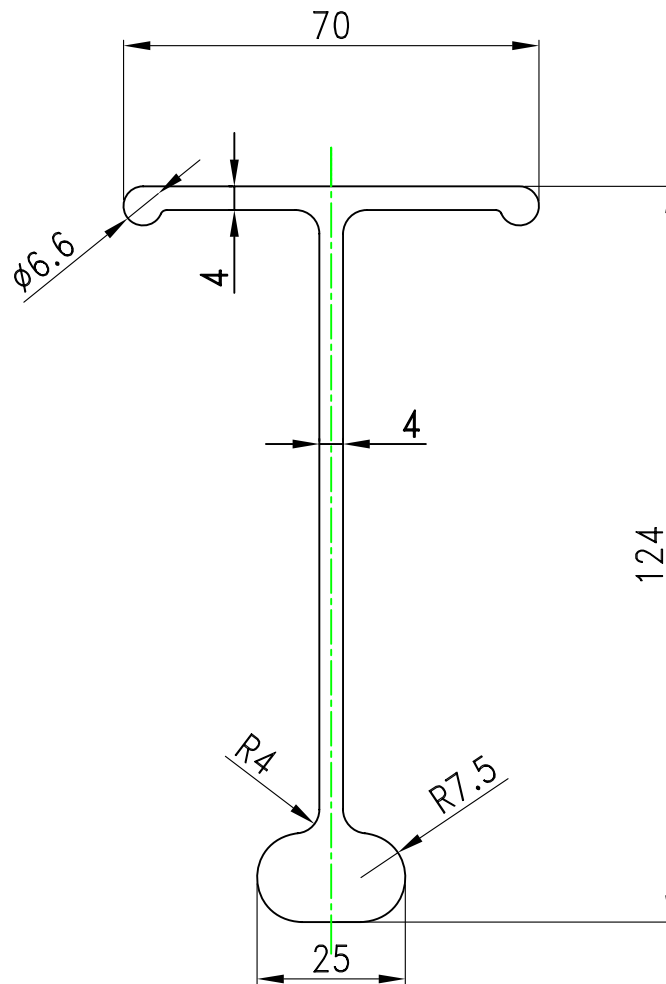
TITLE	Cross Member 底横梁	WEIGHT	6.181kg
SPEC	L=2350mm	MATERIAL	6061-T6
PART NO.	CIMC-02-009	PAGE NO.	12



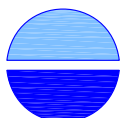
**CIMC**



Authorized Distributor:  
**Pacific Marine & Industrial**  
[www.pacificmarine.net](http://www.pacificmarine.net)  
[info@pacificmarine.net](mailto:info@pacificmarine.net)



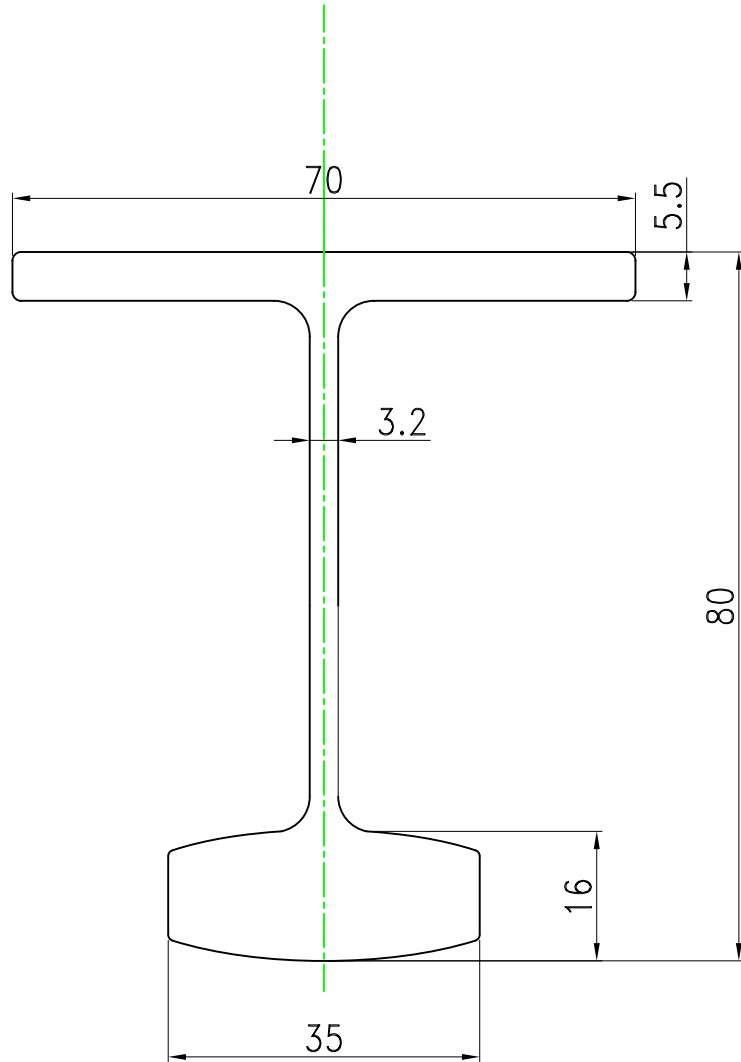
TITLE	Cross Member 底横梁	WEIGHT	8.255kgs
SPEC	L=2350mm	MATERIAL	6061-T6
PART NO.	CIMC-02-009-1	PAGE NO.	13



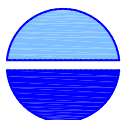
**CIMC**



Authorized Distributor:  
**Pacific Marine & Industrial**  
[www.pacificmarine.net](http://www.pacificmarine.net)  
[info@pacificmarine.net](mailto:info@pacificmarine.net)



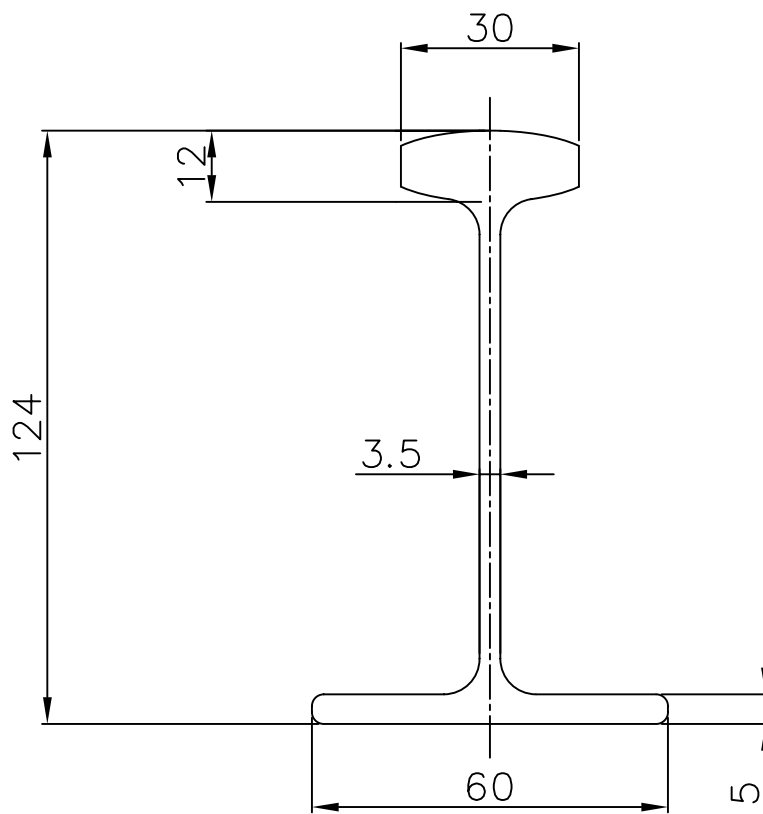
TITLE	Cross Member 底横梁	WEIGHT	7.332kgs
SPEC	L=2350mm	MATERIAL	6061-T6
PART NO.	CIMC-02-009-2	PAGE NO.	14



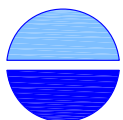
**CIMC**



Authorized Distributor:  
**Pacific Marine & Industrial**  
[www.pacificmarine.net](http://www.pacificmarine.net)  
[info@pacificmarine.net](mailto:info@pacificmarine.net)



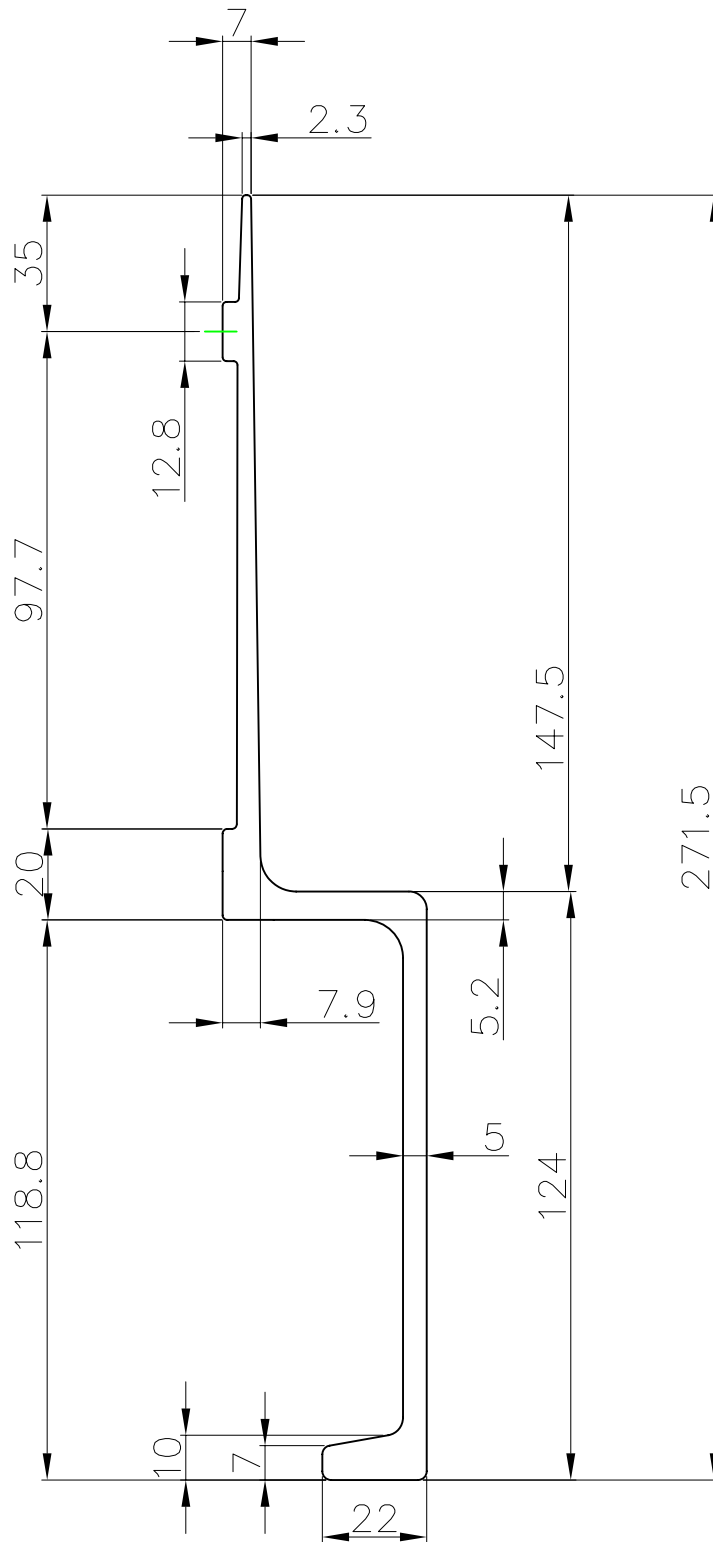
TITLE	Cross Member 底横梁	WEIGHT	6.181kgs
SPEC	L=2350mm	MATERIAL	6061-T6
PART NO.	CIMC-02-009-3	PAGE NO.	15



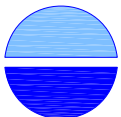
**CIMC**



Authorized Distributor:  
**Pacific Marine & Industrial**  
[www.pacificmarine.net](http://www.pacificmarine.net)  
[info@pacificmarine.net](mailto:info@pacificmarine.net)



TITLE	Bottom Side Rail 底侧梁	WEIGHT	25.944kgs
SPEC	L=5702mm	MATERIAL	6061-T6
PART NO.	CIMC-02-010	PAGE NO.	16

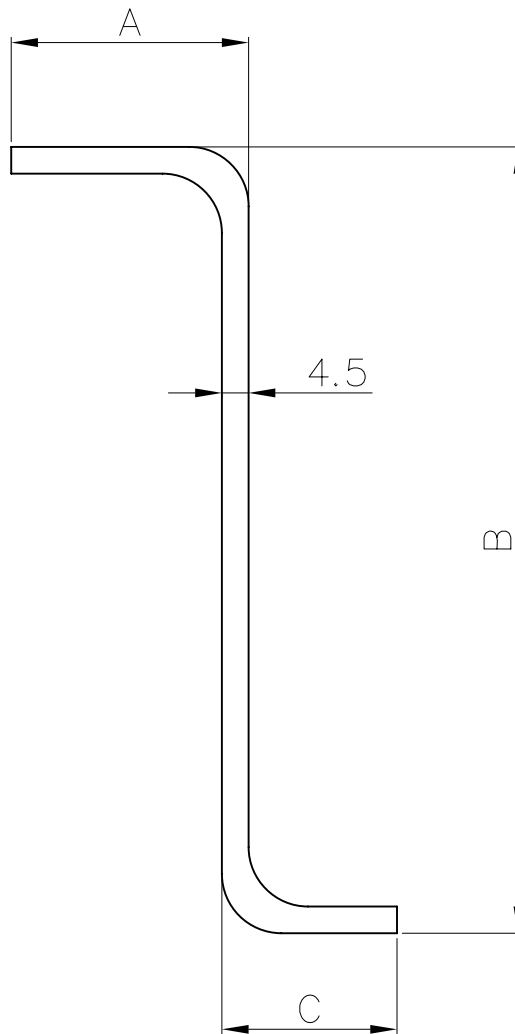


**CIMC**

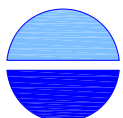


Authorized Distributor:  
**Pacific Marine & Industrial**  
[www.pacificmarine.net](http://www.pacificmarine.net)  
[info@pacificmarine.net](mailto:info@pacificmarine.net)

A	B	C	L	Code No.
25	128	25	3000	CIMC-02-011B
25	150	25	3000	CIMC-02-012
25	105	25	3000	CIMC-02-013
40	150	25	3000	CIMC-02-014



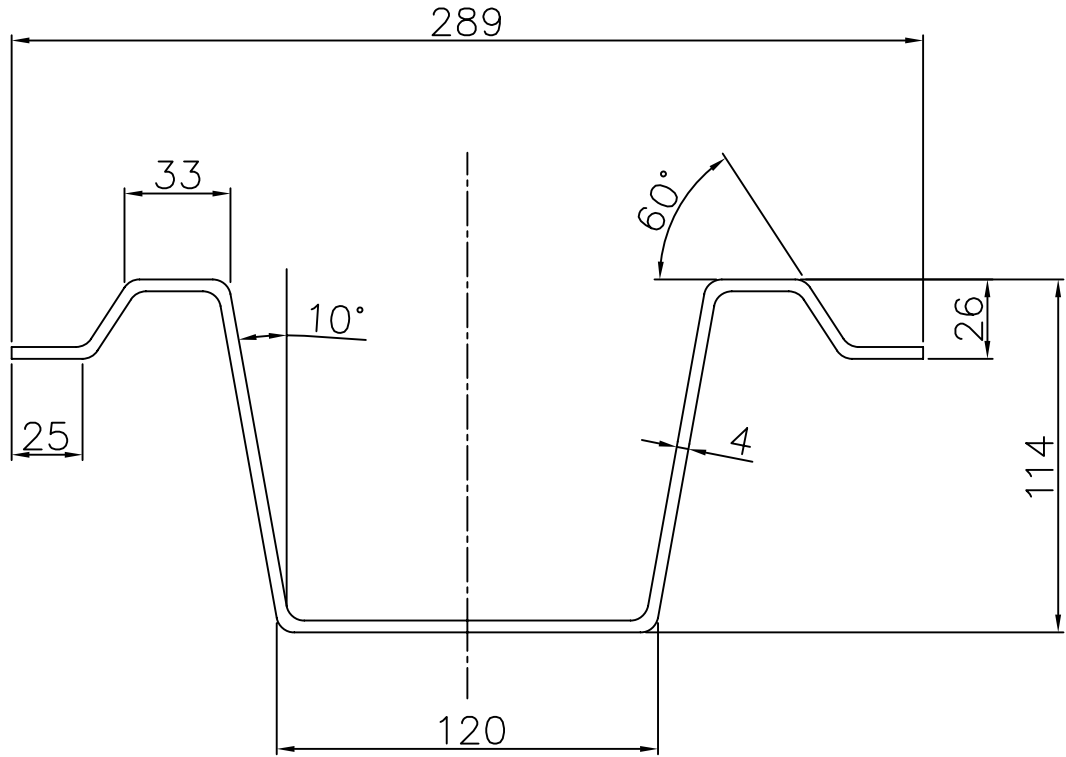
TITLE	Bottom Side Rail 底侧梁	WEIGHT	
SPEC	L=3000mm	MATERIAL	CORTEN
PART NO.	CIMC-02-011B~014	PAGE NO.	17



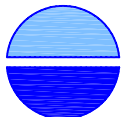
**CIMC**



Authorized Distributor:  
**Pacific Marine & Industrial**  
[www.pacificmarine.net](http://www.pacificmarine.net)  
[info@pacificmarine.net](mailto:info@pacificmarine.net)



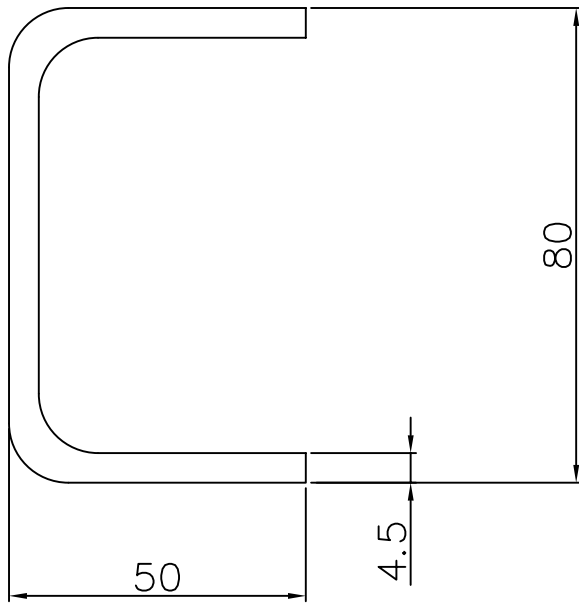
TITLE	Cross Member 底横梁	WEIGHT	
SPEC	4.0X484X2345	MATERIAL	CORTEN / MGSS
PART NO.	CIMC-02-015	PAGE NO.	18



**CIMC**

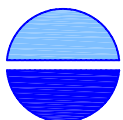


Authorized Distributor:  
**Pacific Marine & Industrial**  
[www.pacificmarine.net](http://www.pacificmarine.net)  
[info@pacificmarine.net](mailto:info@pacificmarine.net)



L<=2345

TITLE	Cross Member 底横梁	WEIGHT	13.420kgs
SPEC		MATERIAL	CORTEN
PART NO.	CIMC-02-016	PAGE NO.	19

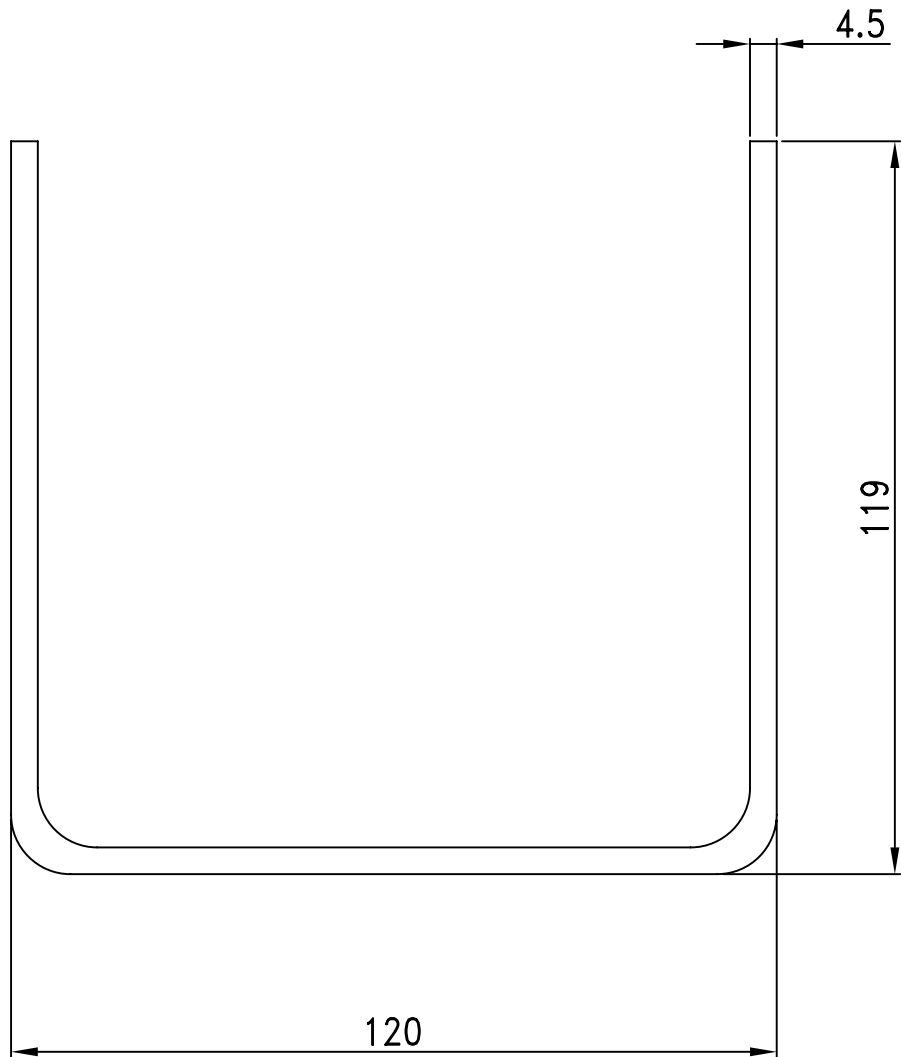


**CIMC**



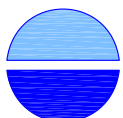
Authorized Distributor:  
**Pacific Marine & Industrial**  
[www.pacificmarine.net](http://www.pacificmarine.net)  
[info@pacificmarine.net](mailto:info@pacificmarine.net)





$L \leq 2345$

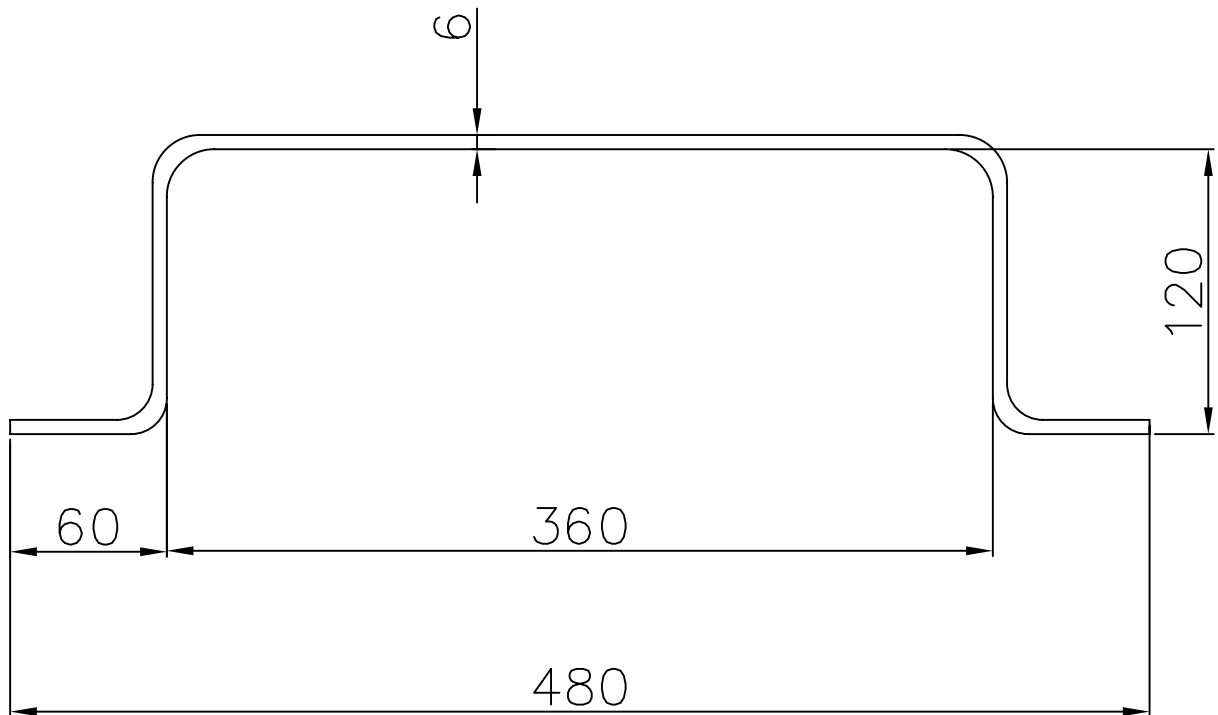
TITLE	Bolster Bottom 主横梁	WEIGHT	28.165kgs
SPEC		MATERIAL	CORTEN
PART NO.	CIMC-02-017	PAGE NO.	20



**CIMC**

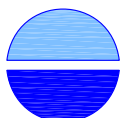


Authorized Distributor:  
 Pacific Marine & Industrial  
[www.pacificmarine.net](http://www.pacificmarine.net)  
[info@pacificmarine.net](mailto:info@pacificmarine.net)



$L \leq 2353$

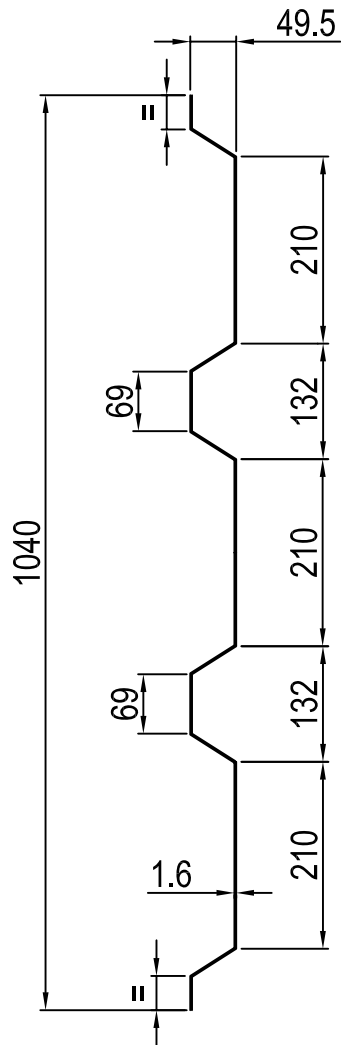
TITLE	Fork Pocket 叉槽	MODEL	79.524kgs
SPEC		MATERIAL	CORTEN
PART NO.	CIMC-02-018	PAGE NO.	21



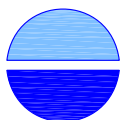
**CIMC**



Authorized Distributor:  
**Pacific Marine & Industrial**  
[www.pacificmarine.net](http://www.pacificmarine.net)  
[info@pacificmarine.net](mailto:info@pacificmarine.net)



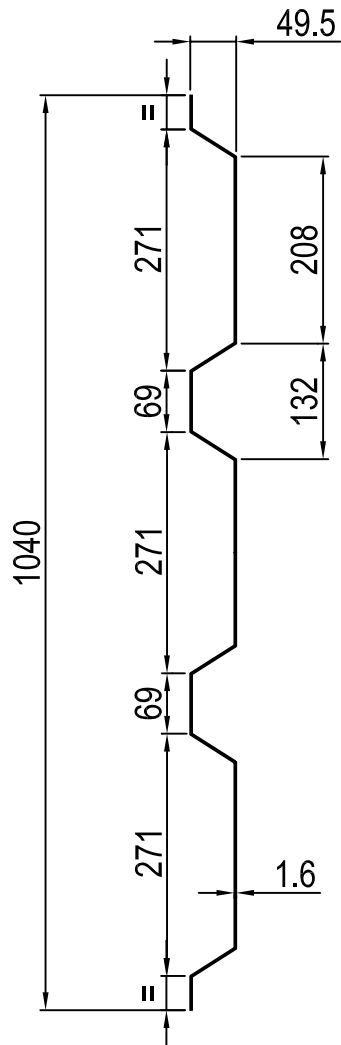
TITLE	Bottom Sheet 波纹底板	WEIGHT	
SPEC	1.6X1040X2345mm	MATERIAL	COTREN
PART NO.	CIMC-02-019-1	PAGE NO.	22



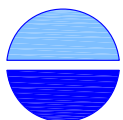
**CIMC**



Authorized Distributor:  
**Pacific Marine & Industrial**  
[www.pacificmarine.net](http://www.pacificmarine.net)  
[info@pacificmarine.net](mailto:info@pacificmarine.net)



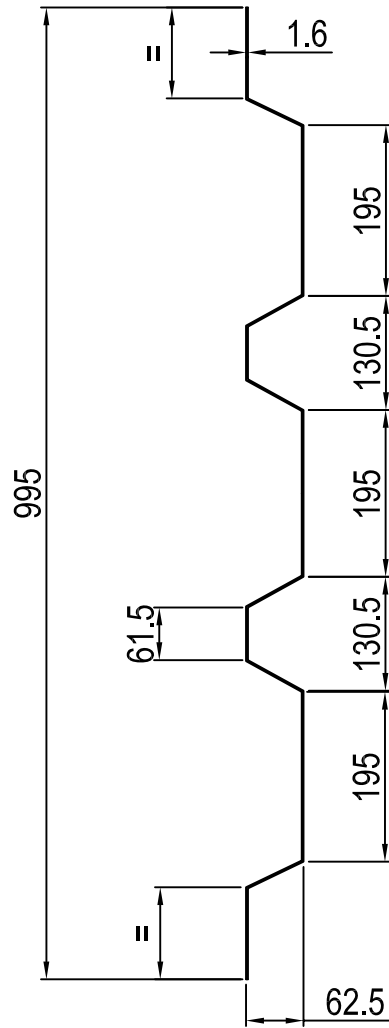
TITLE	Bottom Sheet 波纹底板	WEIGHT	
SPEC	1.6X1040X2345mm	MATERIAL	CORTEN
PART NO.	CIMC-02-020-1	PAGE NO.	23



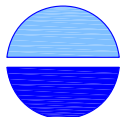
**CIMC**



Authorized Distributor:  
**Pacific Marine & Industrial**  
[www.pacificmarine.net](http://www.pacificmarine.net)  
[info@pacificmarine.net](mailto:info@pacificmarine.net)



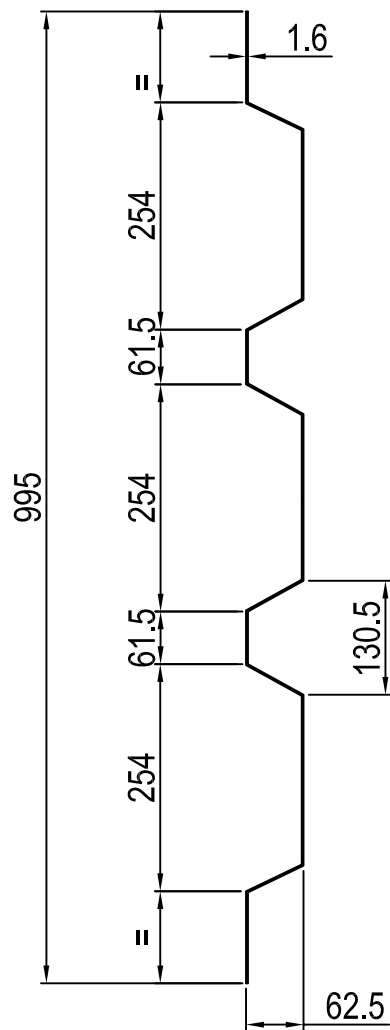
TITLE	Bottom Sheet 波纹底板	WEIGHT	
SPEC	1.6X995X2345mm	MATERIAL	CORTEN
PART NO.	CIMC-02-021-1	PAGE NO.	24



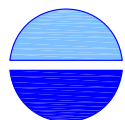
**CIMC**



Authorized Distributor:  
**Pacific Marine & Industrial**  
[www.pacificmarine.net](http://www.pacificmarine.net)  
[info@pacificmarine.net](mailto:info@pacificmarine.net)



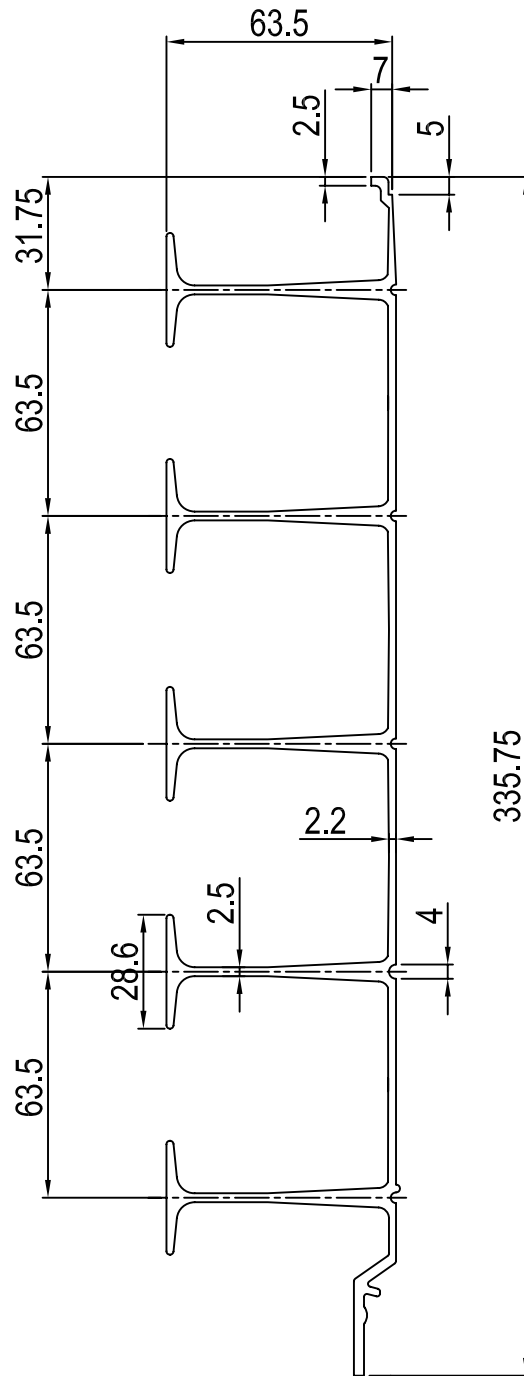
TITLE	Bottom Sheet 波纹底板	WEIGHT	
SPEC	1.6X995X2345mm	MATERIAL	CORTEN
PART NO.	CIMC-02-022-1	PAGE NO.	25



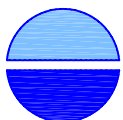
**CIMC**



Authorized Distributor:  
**Pacific Marine & Industrial**  
[www.pacificmarine.net](http://www.pacificmarine.net)  
[info@pacificmarine.net](mailto:info@pacificmarine.net)



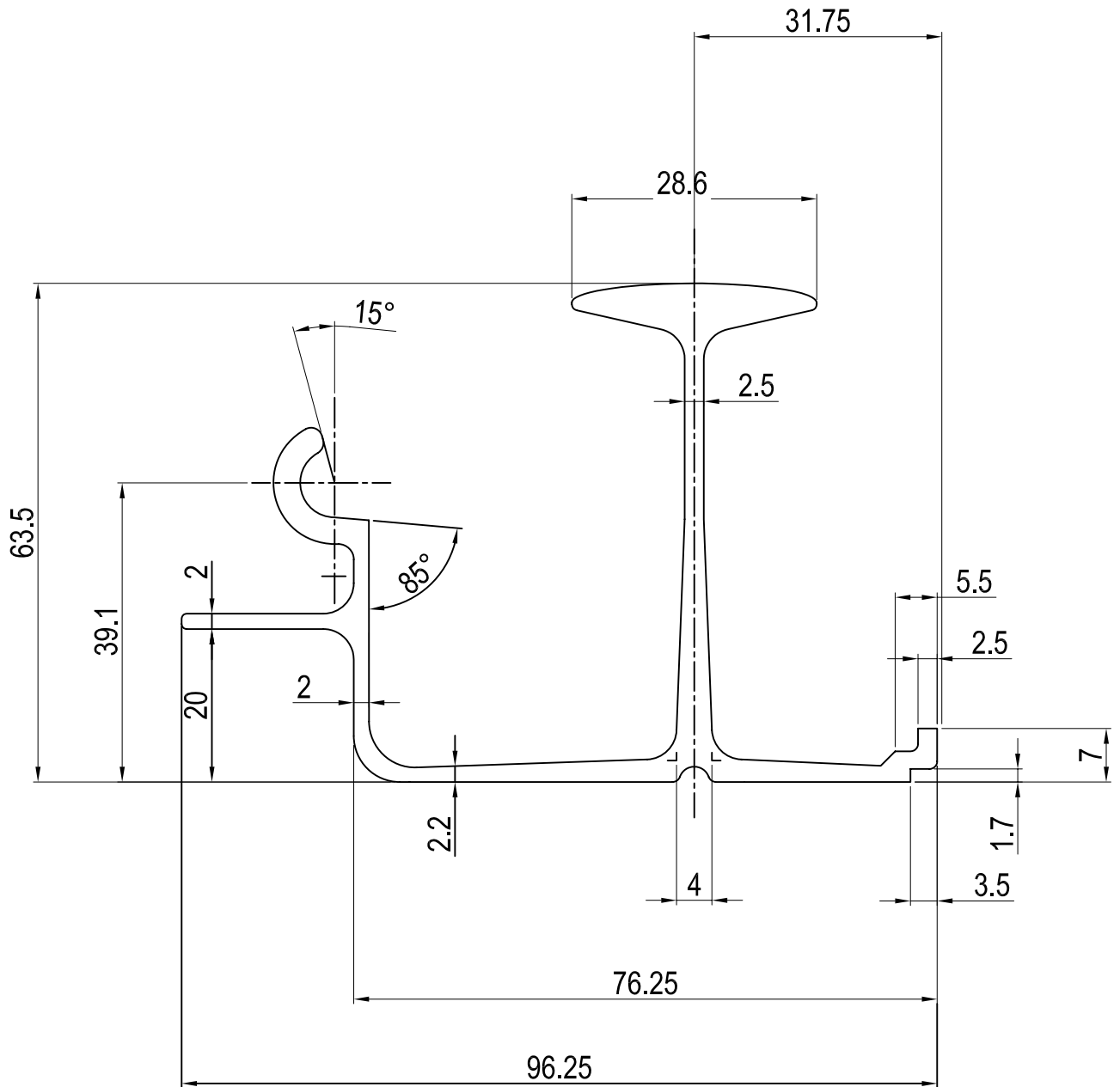
TITLE	T - Floor T地板	WEIGHT	6.137kg/m
SPEC	L=5700	MATERIAL	6061-T6
PART NO.	CIMC-03-001	PAGE NO.	26



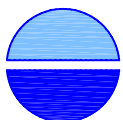
**CIMC**



Authorized Distributor:  
**Pacific Marine & Industrial**  
[www.pacificmarine.net](http://www.pacificmarine.net)  
[info@pacificmarine.net](mailto:info@pacificmarine.net)



TITLE	T - floor Side T地板(側)	WEIGHT	1.651kg/m
SPEC	L=5700	MATERIAL	6061-T6
PART NO.	CIMC-03-002	PAGE NO.	27

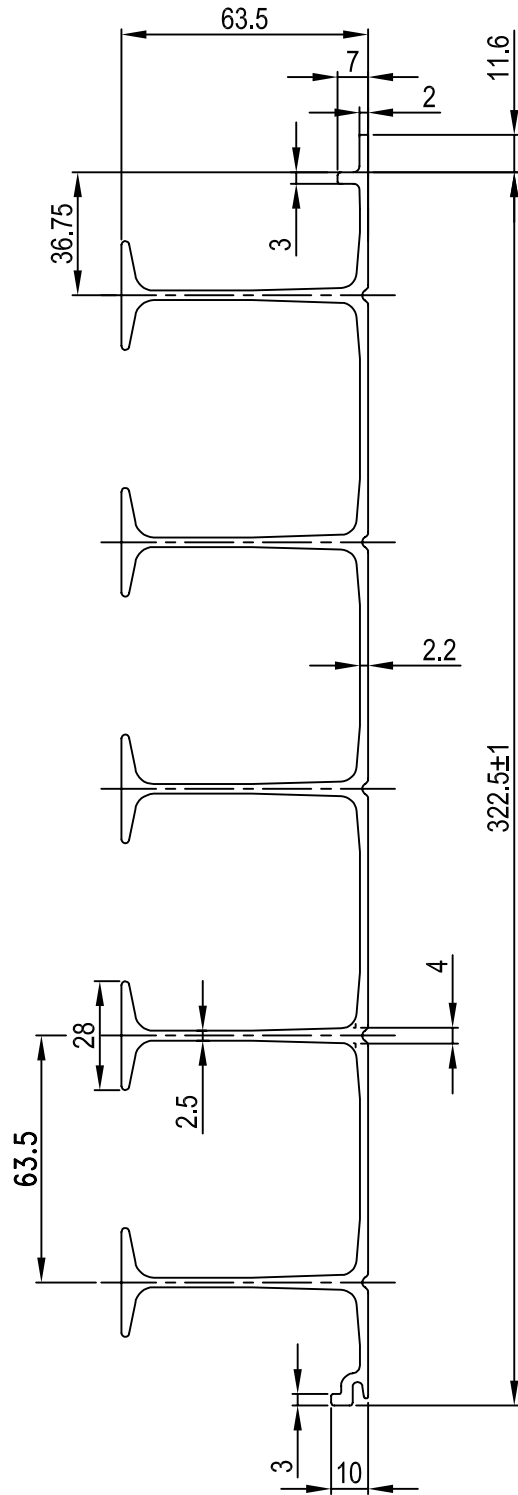


**CIMC**

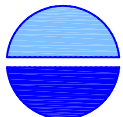


Authorized Distributor:  
 Pacific Marine & Industrial  
[www.pacificmarine.net](http://www.pacificmarine.net)  
[info@pacificmarine.net](mailto:info@pacificmarine.net)





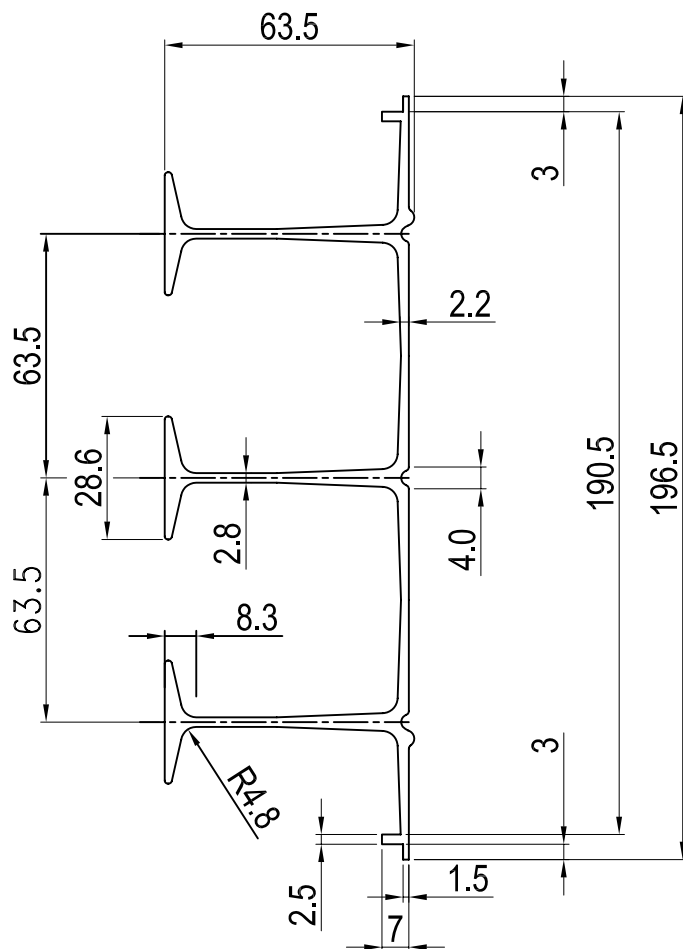
TITLE	T - Floor T地板	WEIGHT	5.772kg/m
SPEC	L=5700	MATERIAL	6061-T6
PART NO.	CIMC-03-003	PAGE NO.	28



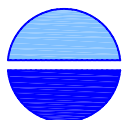
**CIMC**



Authorized Distributor:  
**Pacific Marine & Industrial**  
[www.pacificmarine.net](http://www.pacificmarine.net)  
[info@pacificmarine.net](mailto:info@pacificmarine.net)



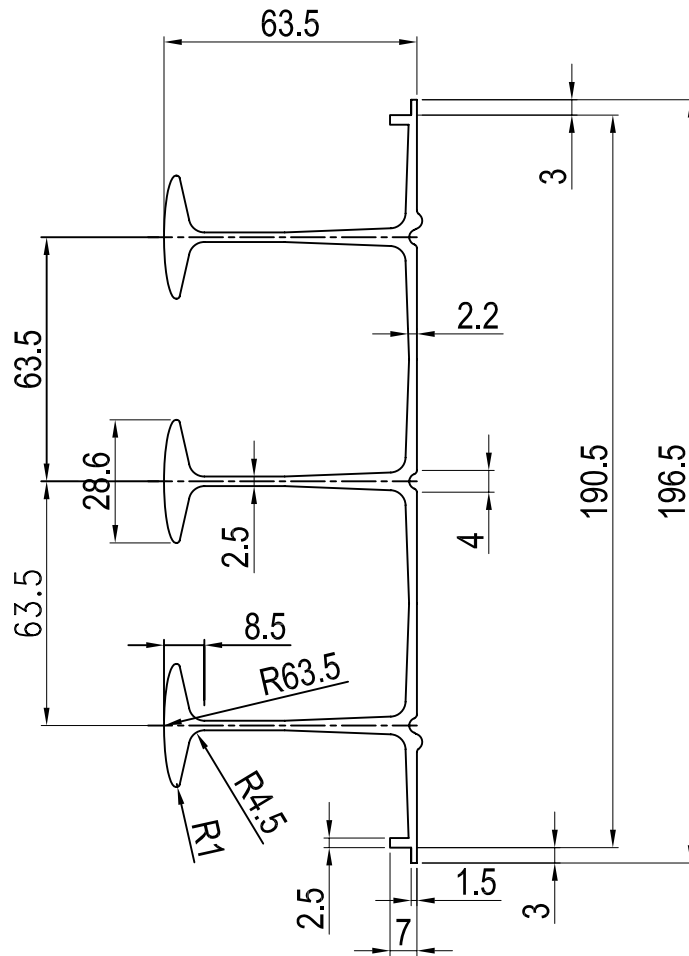
TITLE	T - Floor Middle T地板 (中间)	WEIGHT	3.551kg/m
SPEC	L=5700	MATERIAL	6061-T6
PART NO.	CIMC-03-004	PAGE NO.	29



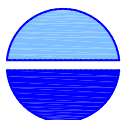
**CIMC**



Authorized Distributor:  
**Pacific Marine & Industrial**  
[www.pacificmarine.net](http://www.pacificmarine.net)  
[info@pacificmarine.net](mailto:info@pacificmarine.net)



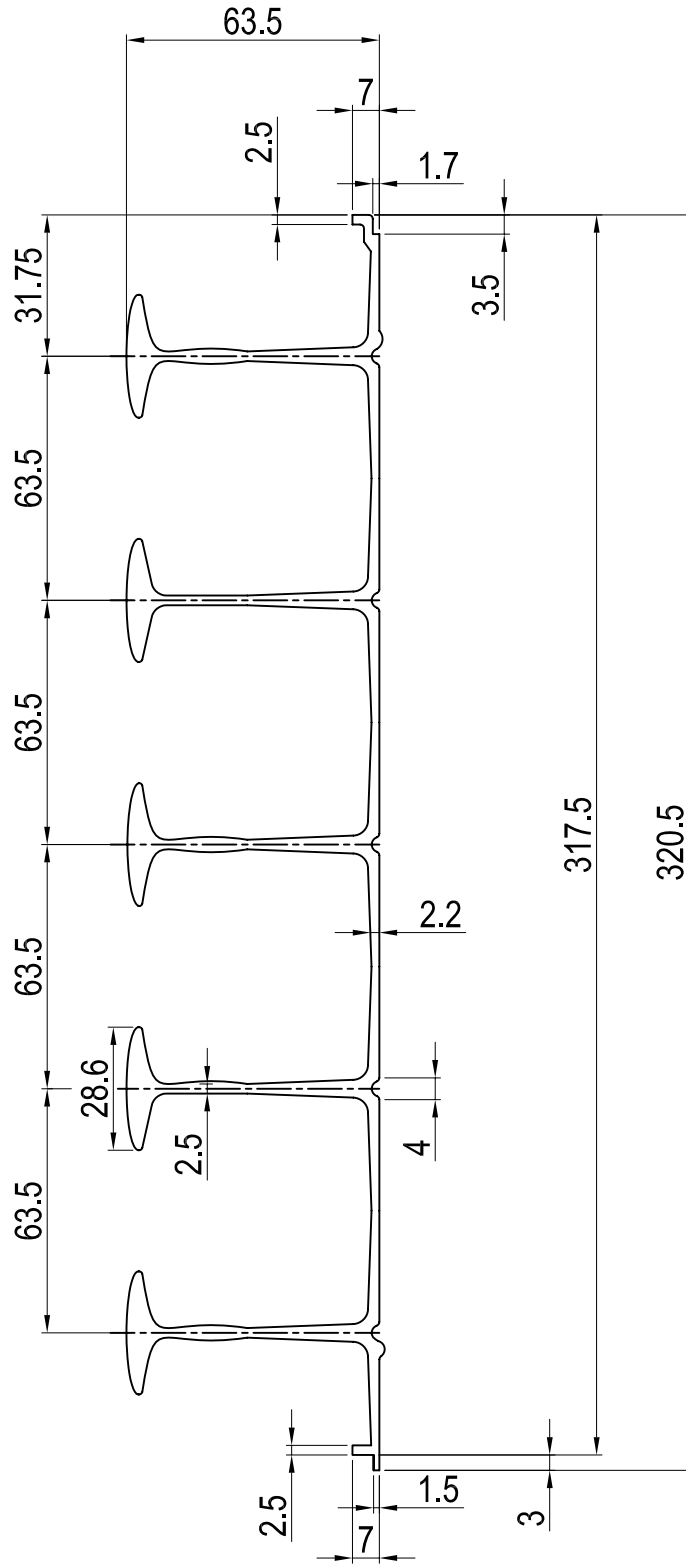
TITLE	T -floor Middle T地板 (中间)	WEIGHT	3.645kg/m
SPEC	L=5700	MATERIAL	6061-T6
PART NO.	CIMC-03-005	PAGE NO.	30



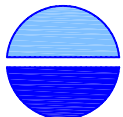
**CIMC**



Authorized Distributor:  
**Pacific Marine & Industrial**  
[www.pacificmarine.net](http://www.pacificmarine.net)  
[info@pacificmarine.net](mailto:info@pacificmarine.net)



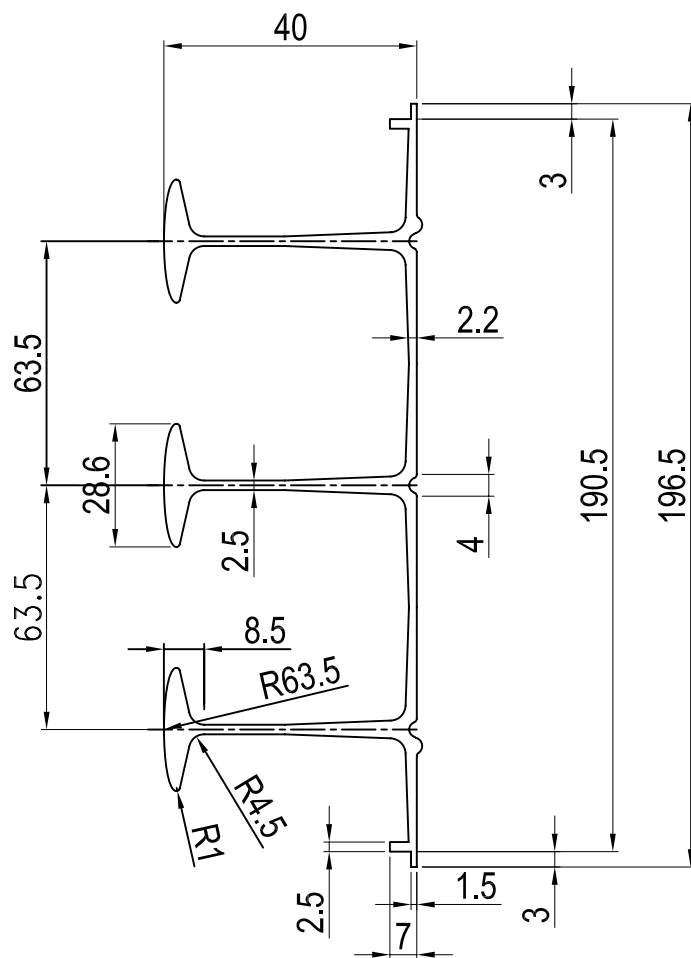
TITLE	T - Floor T地板	WEIGHT	6.002kg/m
SPEC	L=5700	MATERIAL	6061-T6
PART NO.	CIMC-03-006	PAGE NO.	31



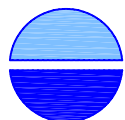
**CIMC**



Authorized Distributor:  
**Pacific Marine & Industrial**  
[www.pacificmarine.net](http://www.pacificmarine.net)  
[info@pacificmarine.net](mailto:info@pacificmarine.net)



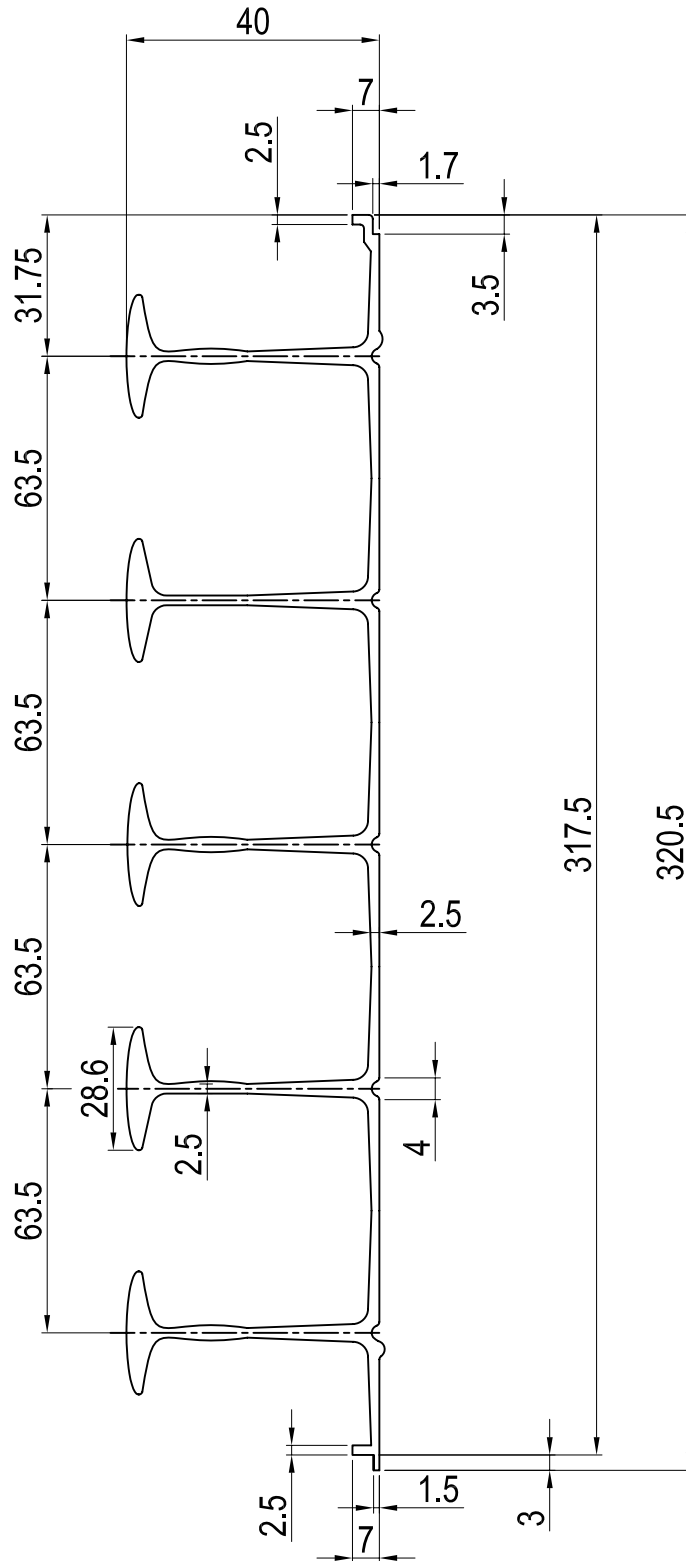
TITLE	T -floor Middle T地板 (中间)	WEIGHT	1.651kg/m
SPEC	L=5700	MATERIAL	6061-T6
PART NO.	CIMC-03-007	PAGE NO.	32



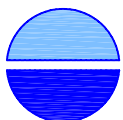
**CIMC**



Authorized Distributor:  
**Pacific Marine & Industrial**  
[www.pacificmarine.net](http://www.pacificmarine.net)  
[info@pacificmarine.net](mailto:info@pacificmarine.net)



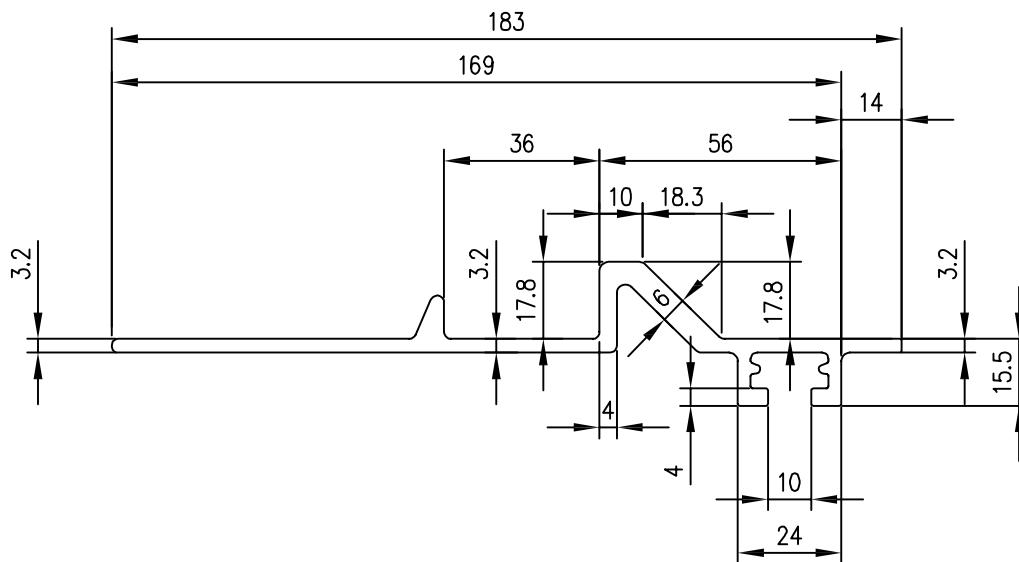
TITLE	T - Floor T地板	WEIGHT	4.590kg/m
SPEC	L=5700	MATERIAL	6061-T6
PART NO.	CIMC-03-008	PAGE NO.	33



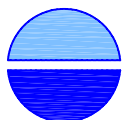
**CIMC**



Authorized Distributor:  
**Pacific Marine & Industrial**  
[www.pacificmarine.net](http://www.pacificmarine.net)  
[info@pacificmarine.net](mailto:info@pacificmarine.net)



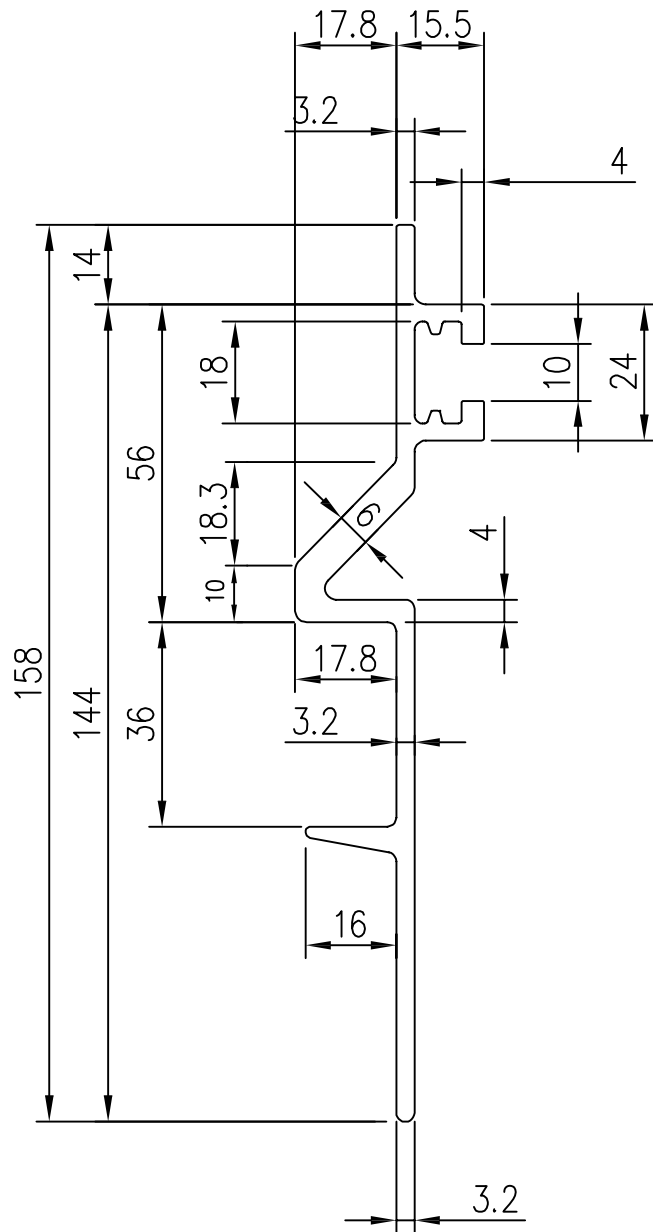
TITLE	Sill Gutter 门槛铝型材	WEIGHT	5.7kgs
SPEC	L=2305 mm	MATERIAL	6061-T6
PART NO.	CIMC-03-009	PAGE NO.	34



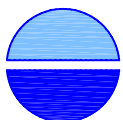
**CIMC**



Authorized Distributor:  
**Pacific Marine & Industrial**  
[www.pacificmarine.net](http://www.pacificmarine.net)  
[info@pacificmarine.net](mailto:info@pacificmarine.net)



TITLE	Door sill gutter 门槛铝型材	WEIGHT	5.3kgs
SPEC	L=2305 mm	MATERIAL	6061-T6
PART NO.	CIMC-03-012	PAGE NO.	35

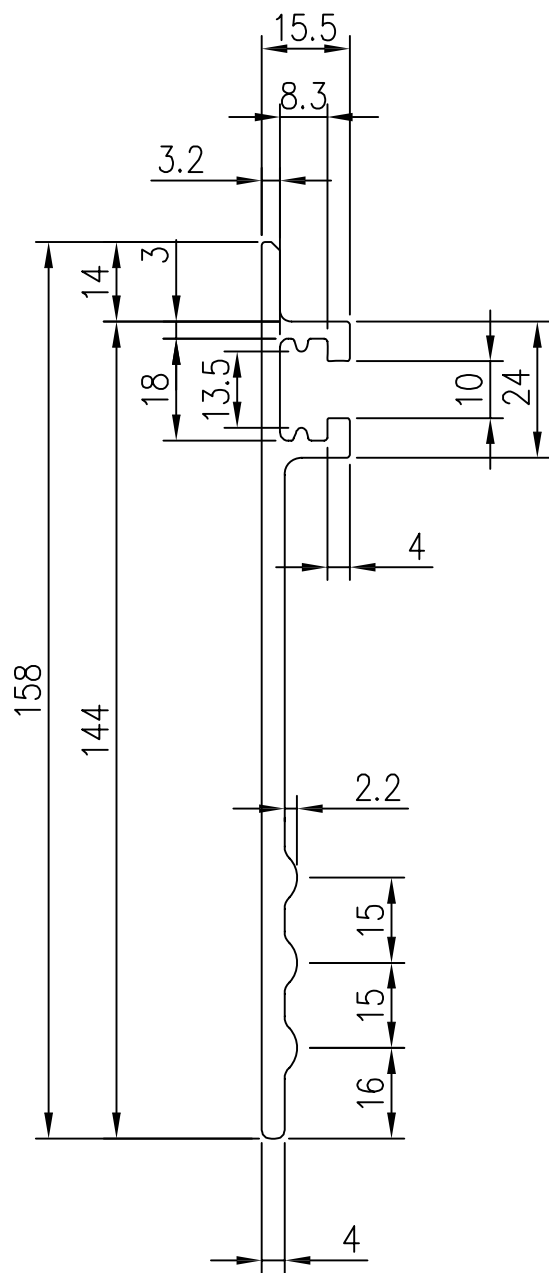


**CIMC**

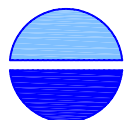


Authorized Distributor:  
**Pacific Marine & Industrial**  
[www.pacificmarine.net](http://www.pacificmarine.net)  
[info@pacificmarine.net](mailto:info@pacificmarine.net)





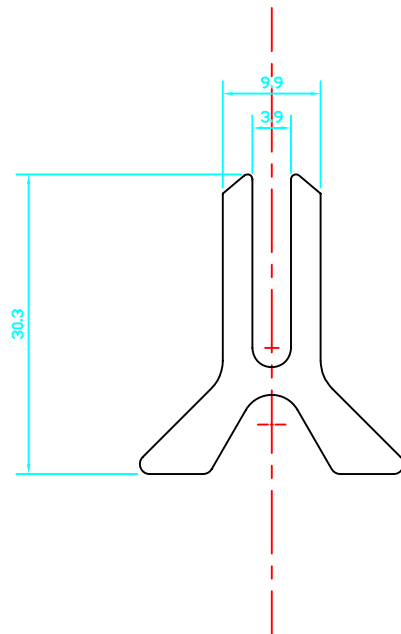
TITLE	Door sill gutter 门槛铝型材	WEIGHT	4.7kgs
SPEC	L=2305 mm	MATERIAL	6061-T6
PART NO.	CIMC-03-013	PAGE NO.	36



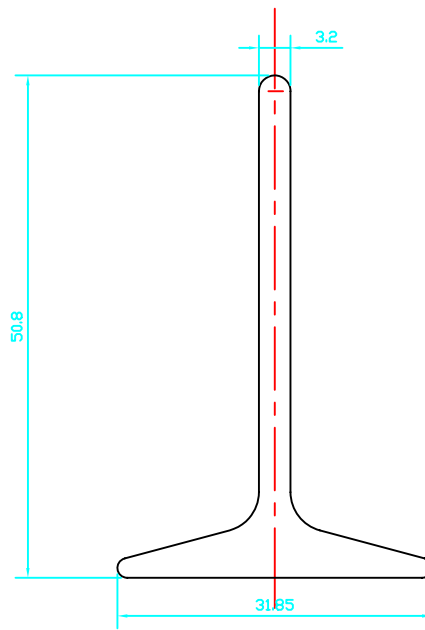
**CIMC**



Authorized Distributor:  
**Pacific Marine & Industrial**  
[www.pacificmarine.net](http://www.pacificmarine.net)  
[info@pacificmarine.net](mailto:info@pacificmarine.net)

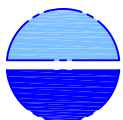


AIR FLOW B  
CIMC-03-014



AIR FLOW T  
CIMC-03-015

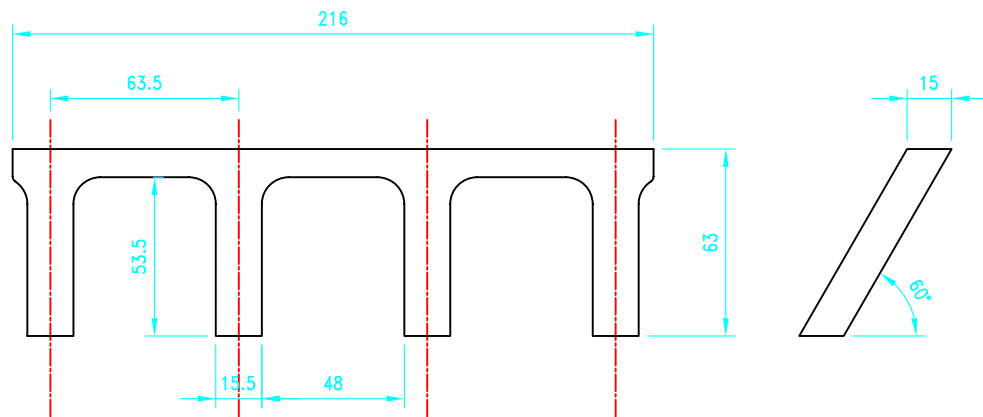
TITLE	AIR FLOW T & B "T"型地板补片	WEIGHT	0.83kg/m; 0.95kg/m
SPEC	L=3600mm	MATERIAL	6061-T6
PART NO.	CIMC-03-014/015	PAGE NO.	37



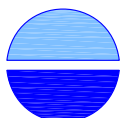
**CIMC**



Authorized Distributor:  
Pacific Marine & Industrial  
www.pacificmarine.net  
info@pacificmarine.net



TITLE	Alu Connection Frame 铝保护板	WEIGHT	
SPEC		MATERIAL	ALU
PART NO.	PA-088-04	UNIT	mm
		PAGE NO.	38

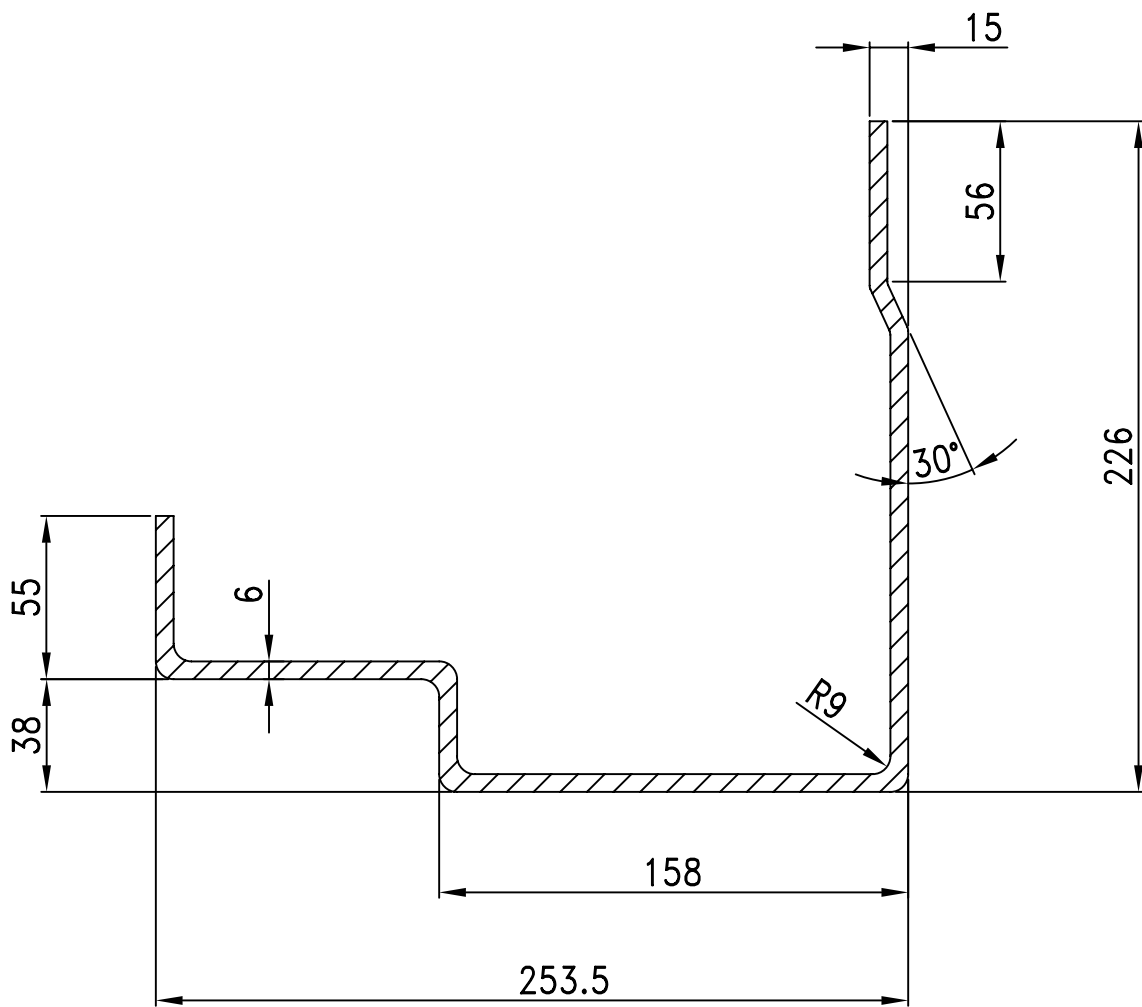


**CIMC**

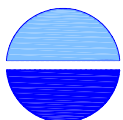


Authorized Distributor:  
**Pacific Marine & Industrial**  
[www.pacificmarine.net](http://www.pacificmarine.net)  
[info@pacificmarine.net](mailto:info@pacificmarine.net)

Type	Param.	Spec.
1	L	2660
2	L	2355



TITLE	Front Corner Post 前角柱	WEIGHT	
SPEC		MATERIAL	CORTEN
PART NO.	CIMC-04-001	PAGE NO.	39

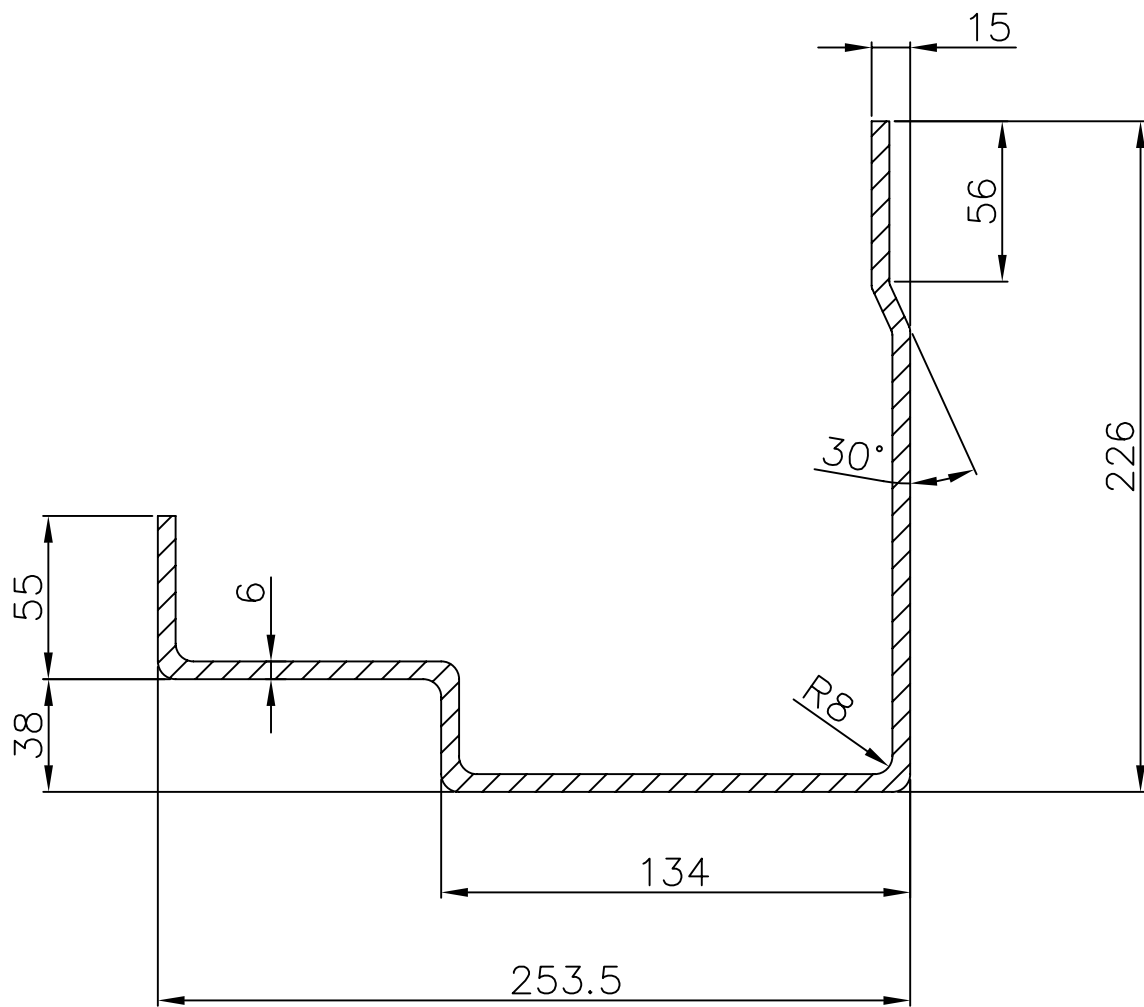


**CIMC**

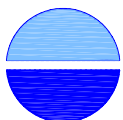


Authorized Distributor:  
 Pacific Marine & Industrial  
[www.pacificmarine.net](http://www.pacificmarine.net)  
[info@pacificmarine.net](mailto:info@pacificmarine.net)

Type	Param.	Spec.
1	L	2660
2	L	2355



TITLE	Front Corner Post 前角柱	WEIGHT	
SPEC		MATERIAL	CORTEN
PART NO.	CIMC-04-002	PAGE NO.	40

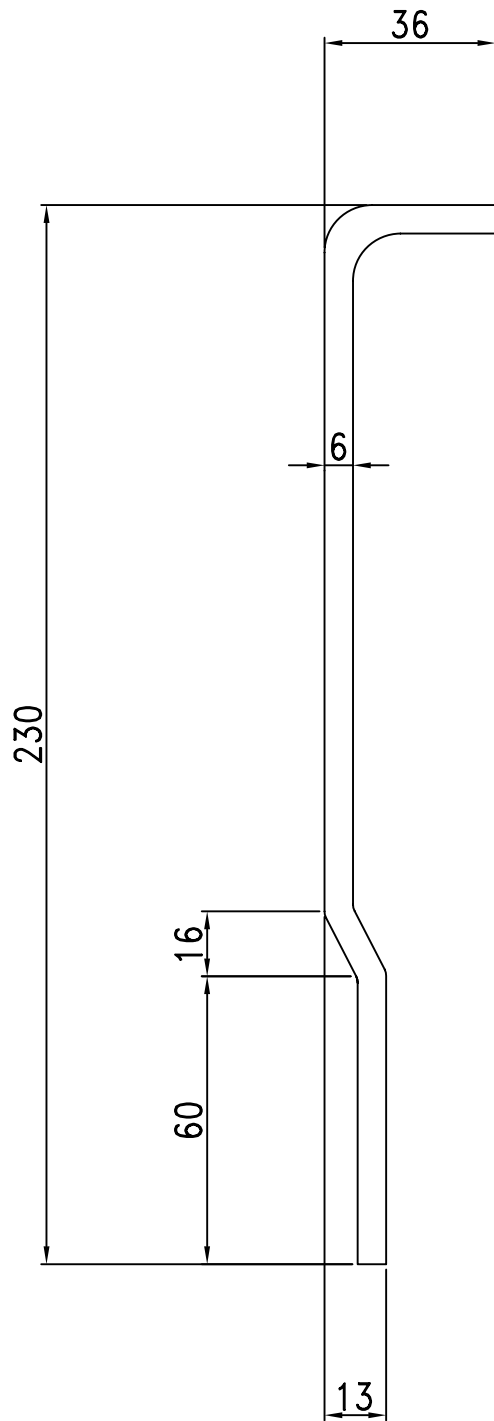


**CIMC**

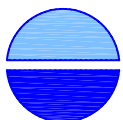


Authorized Distributor:  
 Pacific Marine & Industrial  
[www.pacificmarine.net](http://www.pacificmarine.net)  
[info@pacificmarine.net](mailto:info@pacificmarine.net)

Type	Param.	Spec
1	L	2660
2	L	2355



TITLE	Rear Post Outer 后外角柱	WEIGHT	
SPEC		MATERIAL	CORTEN
PART NO.	CIMC-05-001	PAGE NO.	41

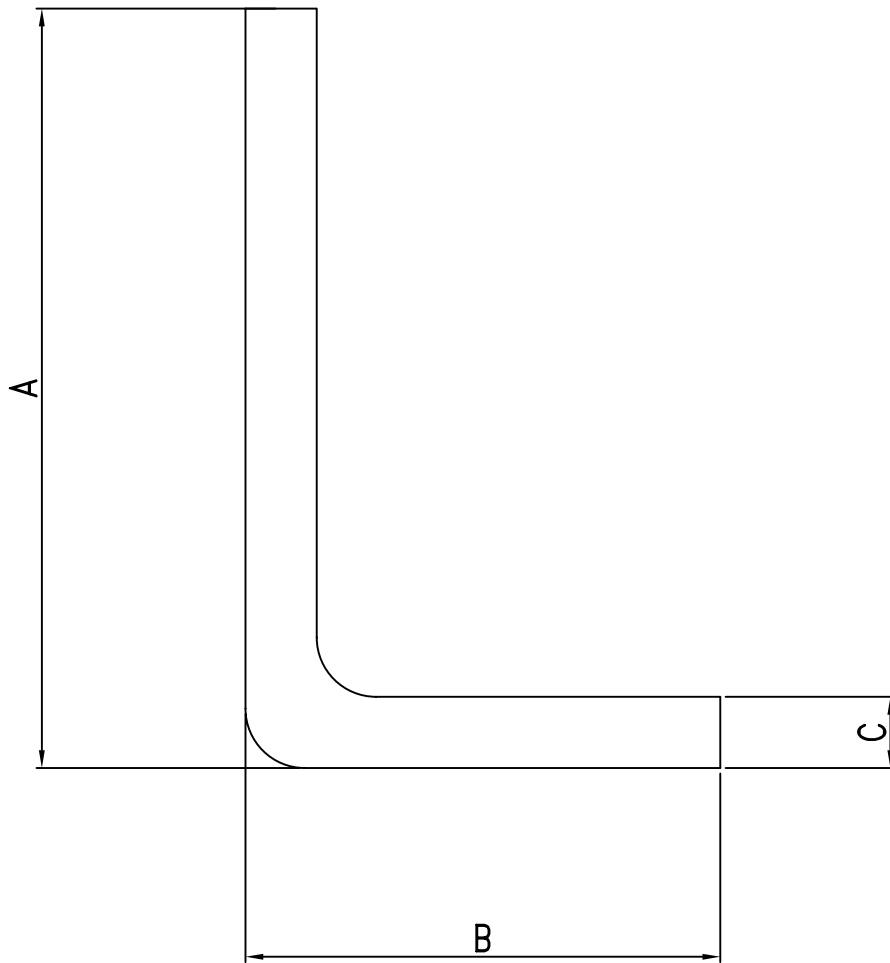


**CIMC**

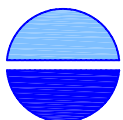


Authorized Distributor:  
**Pacific Marine & Industrial**  
[www.pacificmarine.net](http://www.pacificmarine.net)  
[info@pacificmarine.net](mailto:info@pacificmarine.net)

A	B	C	Type	Spec.	PART NO.
64	40	6	1	2660	CIMC-05-002-1
64	40	6	2	2355	CIMC-05-002-2
116	35	8	1	2660	CIMC-05-003-1
116	35	8	2	2355	CIMC-05-003-2



TITLE	Rear Post Inner 后内角柱	WEIGHT	
SPEC		MATERIAL	CORTEN
PART NO.	CIMC-05-002/003	PAGE NO.	42

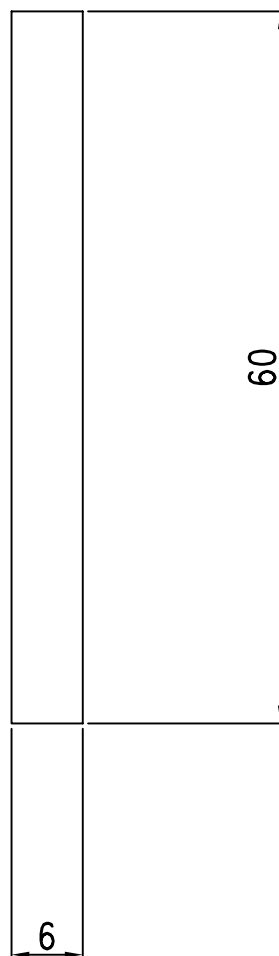


**CIMC**

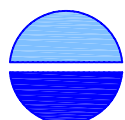


Authorized Distributor:  
**Pacific Marine & Industrial**  
[www.pacificmarine.net](http://www.pacificmarine.net)  
[info@pacificmarine.net](mailto:info@pacificmarine.net)

Type	Param.	Spec
1	L	2660
2	L	2355



TITLE	Rear Post Inner 后内角柱	WEIGHT	7.5kg/pc
SPEC		MATERIAL	CORTEN
PART NO.	CIMC-05-004	PAGE NO.	43



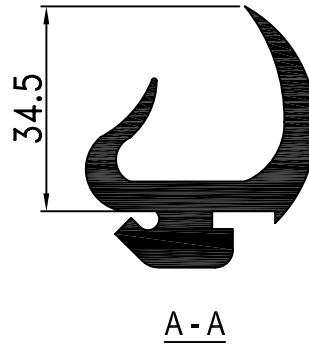
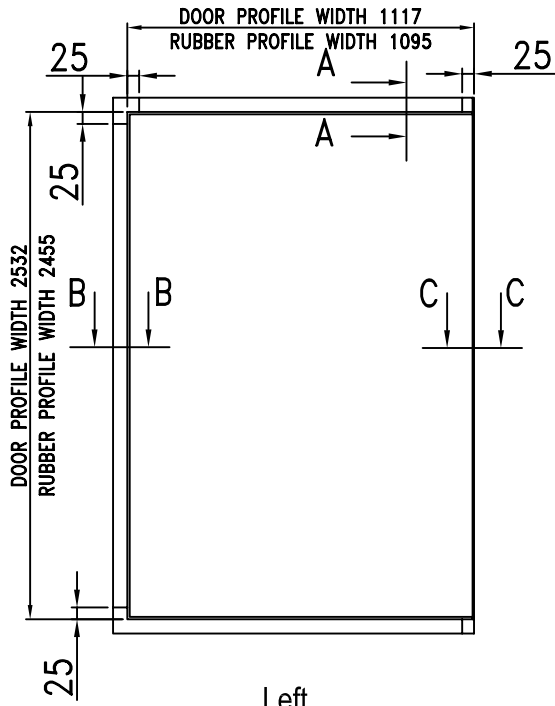
**CIMC**



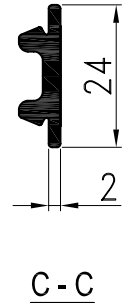
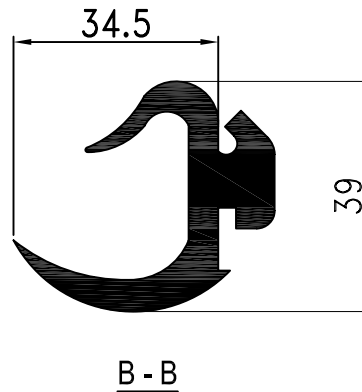
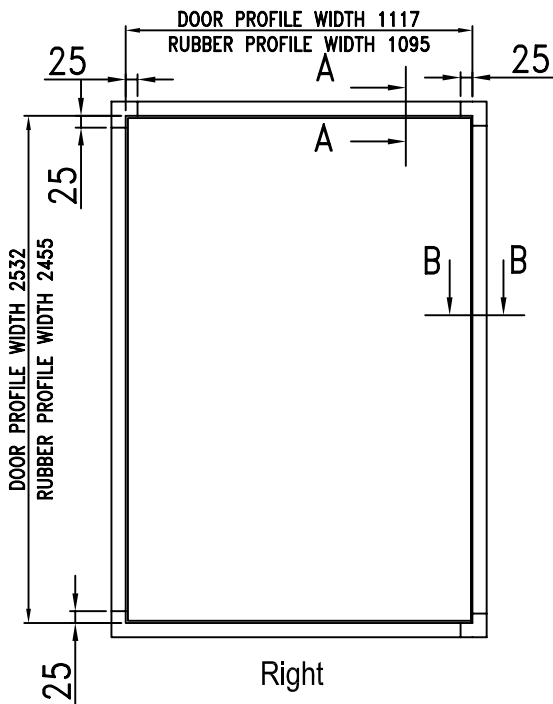
Authorized Distributor:  
**Pacific Marine & Industrial**  
[www.pacificmarine.net](http://www.pacificmarine.net)  
[info@pacificmarine.net](mailto:info@pacificmarine.net)



PART NO.	Specification
CIMC-06-001	set
CIMC-06-001-1	2500mm/pc
CIMC-06-001-2	2500mm/pc

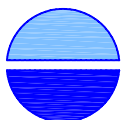


CIMC-06-001-1



CIMC-06-001-2

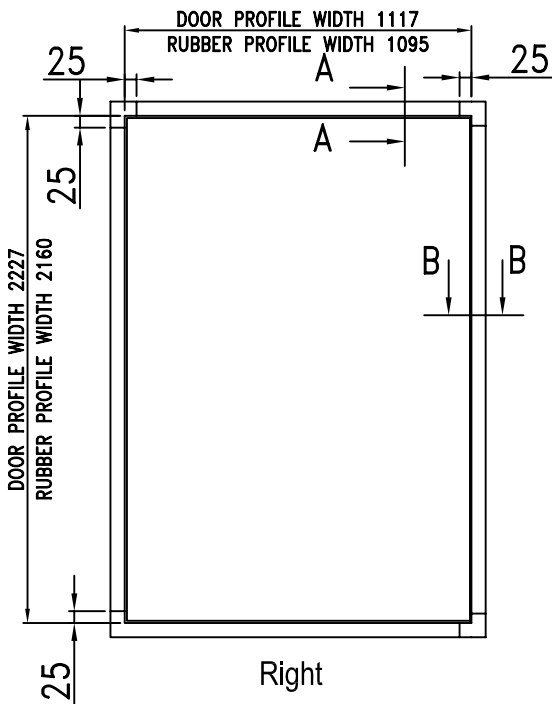
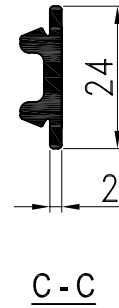
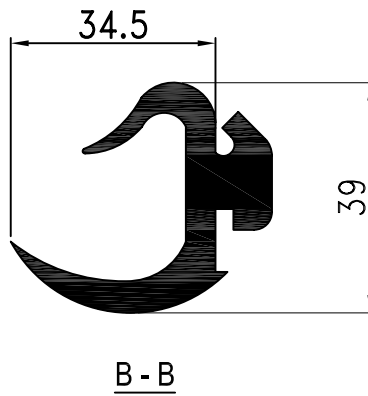
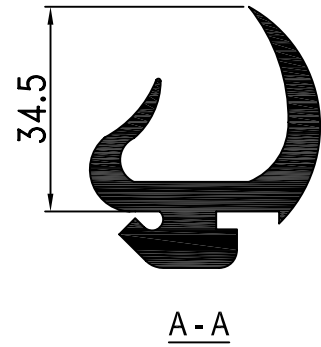
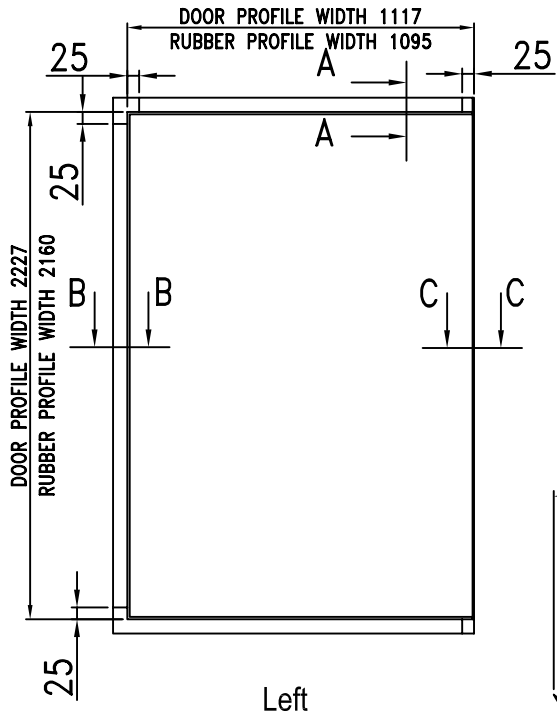
TITLE	Door Sealing Outer 外门封	WEIGHT	
SPEC		MATERIAL	E.P.D.M
PART NO.	CIMC-06-001	PAGE NO.	44



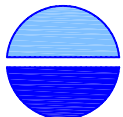
**CIMC**



Authorized Distributor:  
Pacific Marine & Industrial  
www.pacificmarine.net  
info@pacificmarine.net



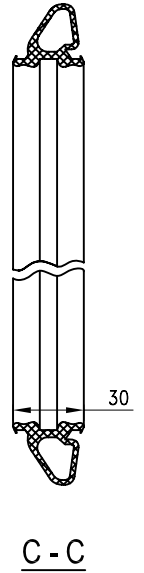
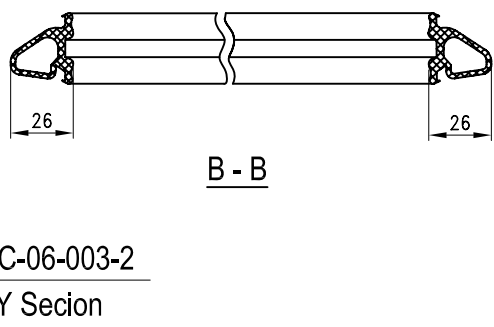
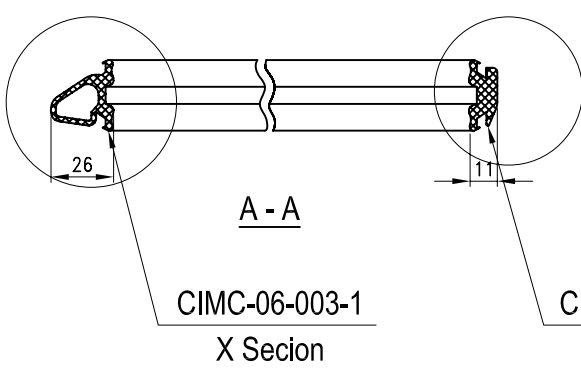
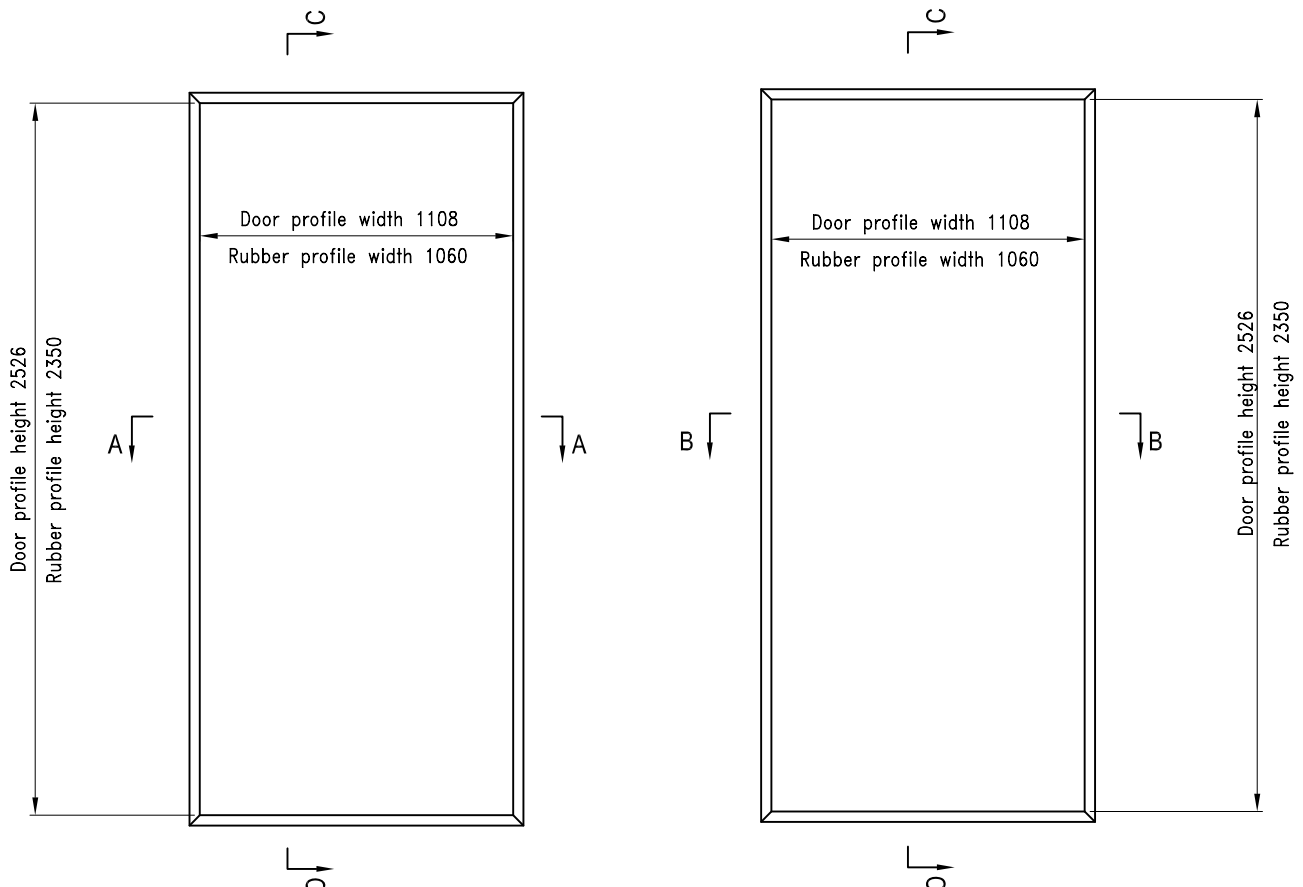
TITLE	Door Sealing Outer 外门封	WEIGHT	
SPEC		MATERIAL	E.P.D.M
PART NO.	CIMC-06-002	PAGE NO.	45



**CIMC**

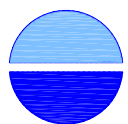


Authorized Distributor:  
Pacific Marine & Industrial  
www.pacificmarine.net  
info@pacificmarine.net



CIMC-06-003-1	X Seccion, L=2500mm
CIMC-06-003-2	Y Seccion, L=2500mm

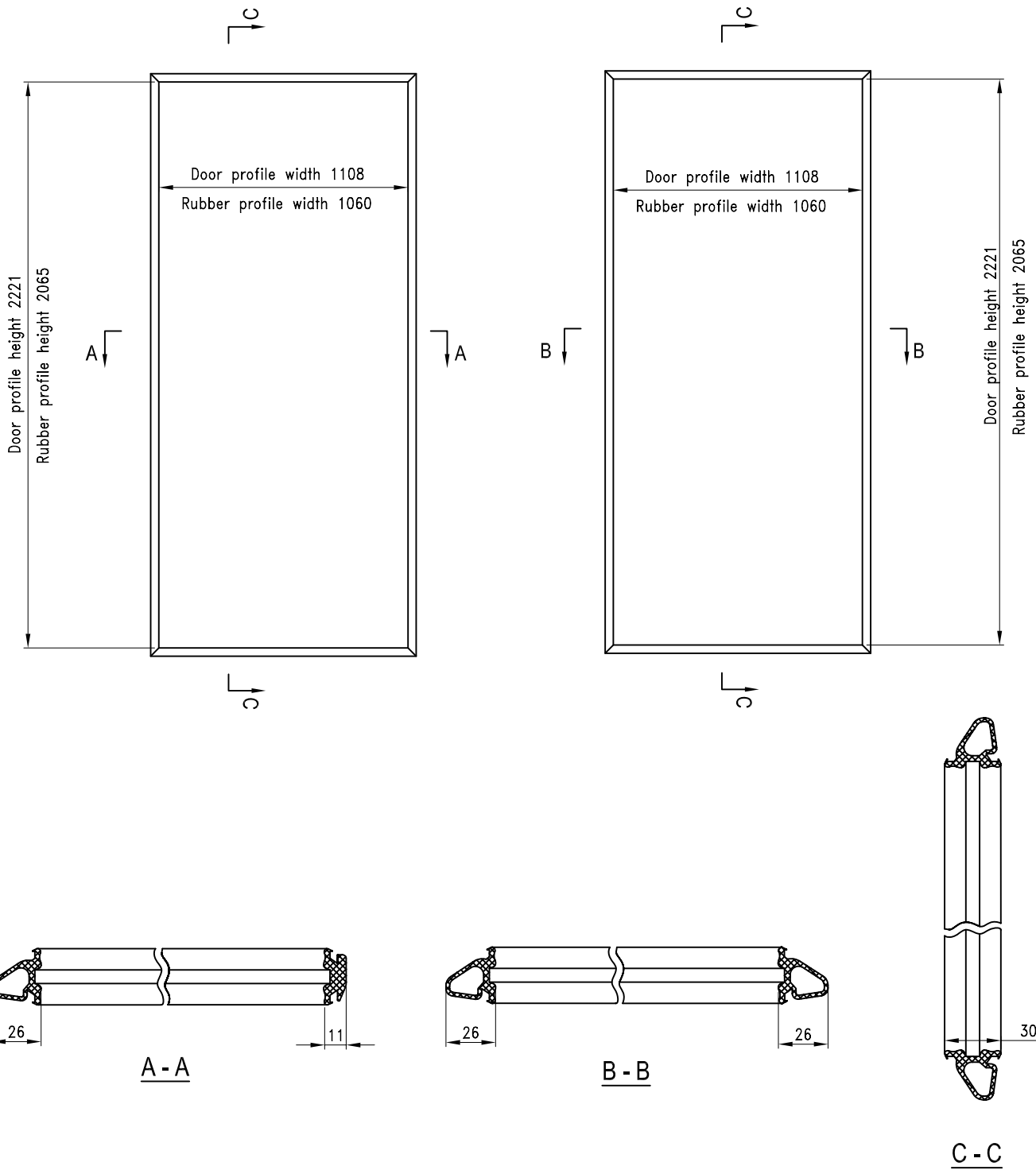
TITLE	Door Sealing Inside 内门封	WEIGHT	
SPEC	SET	MATERIAL	E.P.D.M
PART NO.	CIMC-06-003	PAGE NO.	46



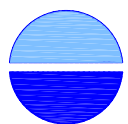
**CIMC**



Authorized Distributor:  
**Pacific Marine & Industrial**  
[www.pacificmarine.net](http://www.pacificmarine.net)  
[info@pacificmarine.net](mailto:info@pacificmarine.net)



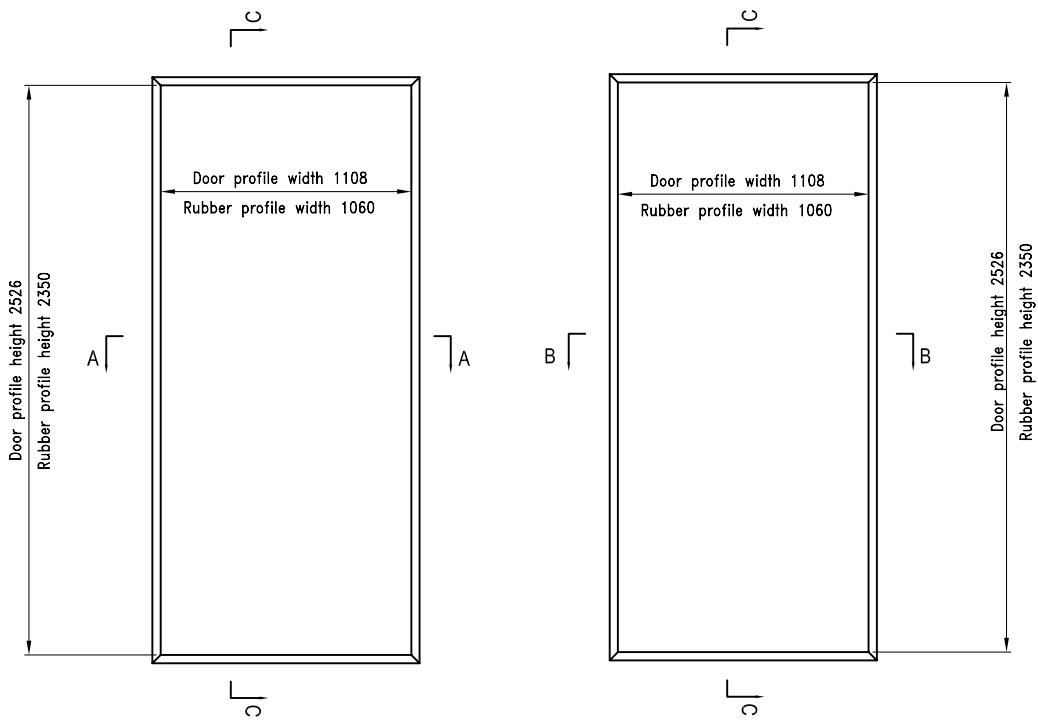
TITLE	Door Sealing Inside 内门封	WEIGHT	
SPEC	SET	MATERIAL	E.P.D.M
PART NO.	CIMC-06-004	PAGE NO.	47



**CIMC**

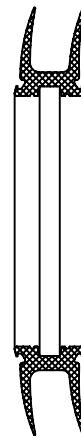
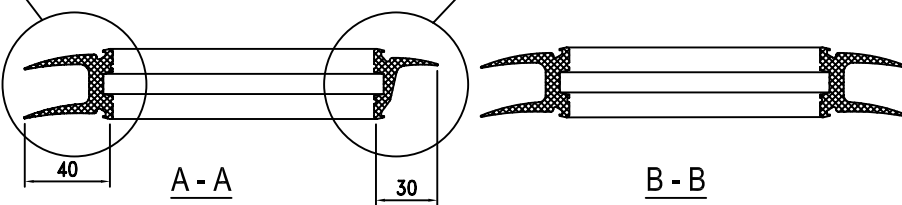


Authorized Distributor:  
**Pacific Marine & Industrial**  
[www.pacificmarine.net](http://www.pacificmarine.net)  
[info@pacificmarine.net](mailto:info@pacificmarine.net)

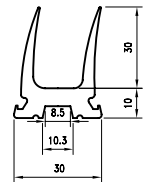


X Section

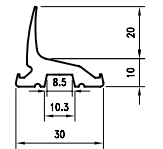
Y Section



C-C



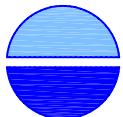
DETAIL X



DETAIL Y

CIMC-06-005-1	X Section, L=2500mm
CIMC-06-005-2	Y Section, L=2500mm

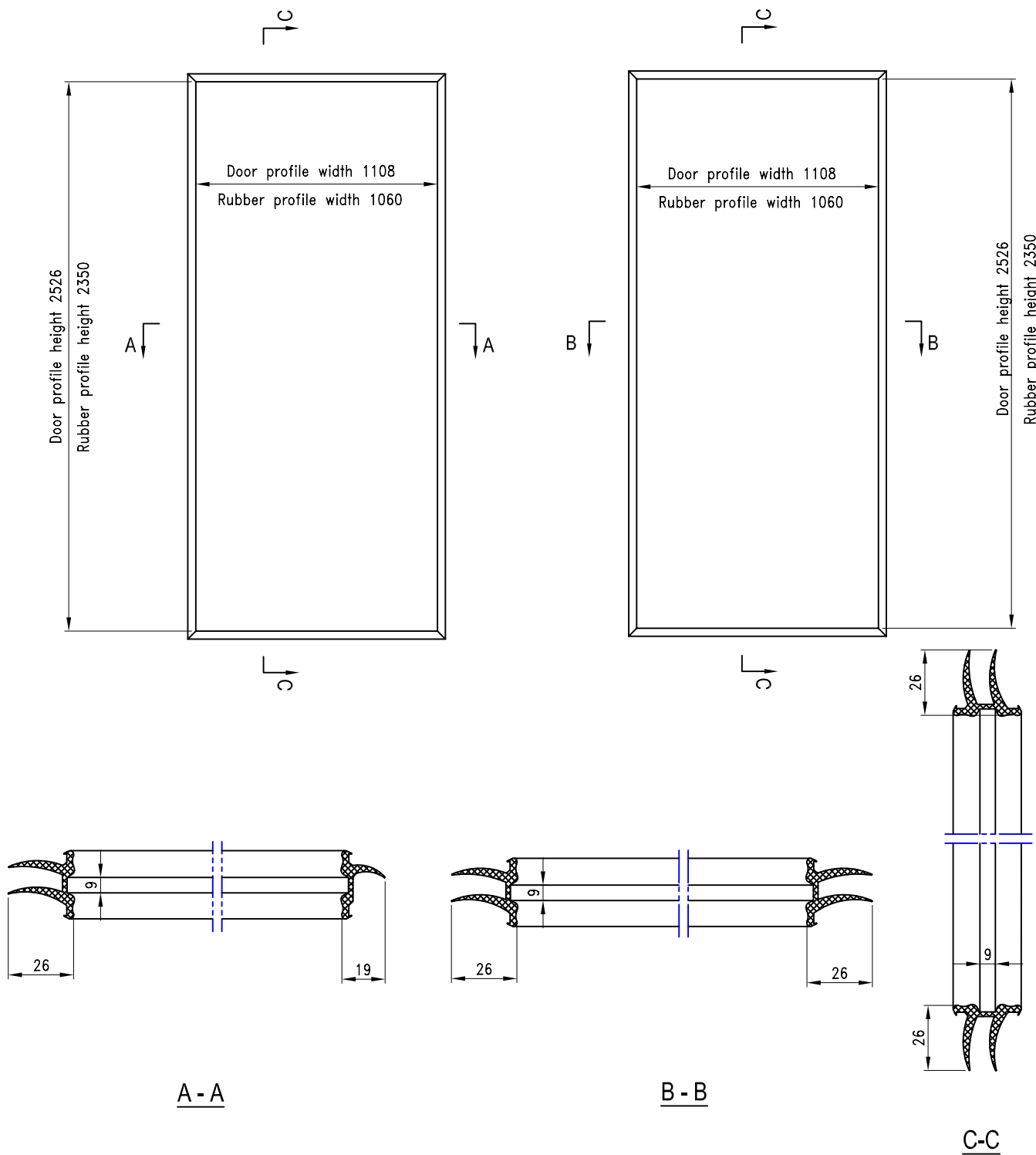
TITLE	Door Sealing Inside 内门封	WEIGHT	
SPEC	SET	MATERIAL	E.P.D.M
PART NO.	CIMC-06-005	PAGE NO.	48



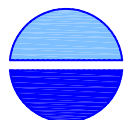
**CIMC**



Authorized Distributor:  
Pacific Marine & Industrial  
www.pacificmarine.net  
info@pacificmarine.net



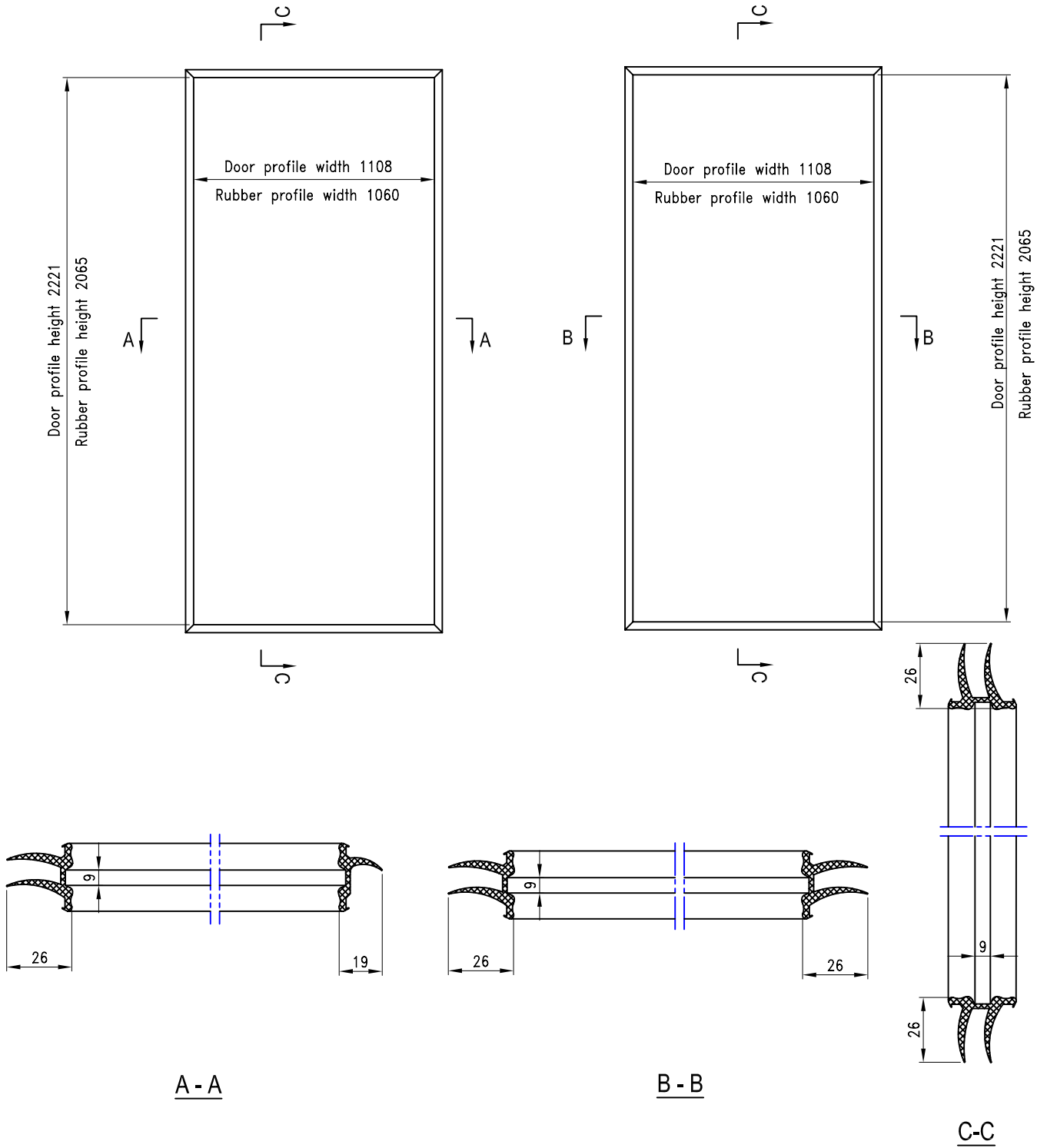
TITLE	Door Sealing Inside 内门封	WEIGHT	
SPEC		MATERIAL	E.P.D.M
PART NO.	CIMC-06-006	PAGE NO.	49



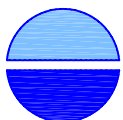
**CIMC**



Authorized Distributor:  
**Pacific Marine & Industrial**  
[www.pacificmarine.net](http://www.pacificmarine.net)  
[info@pacificmarine.net](mailto:info@pacificmarine.net)



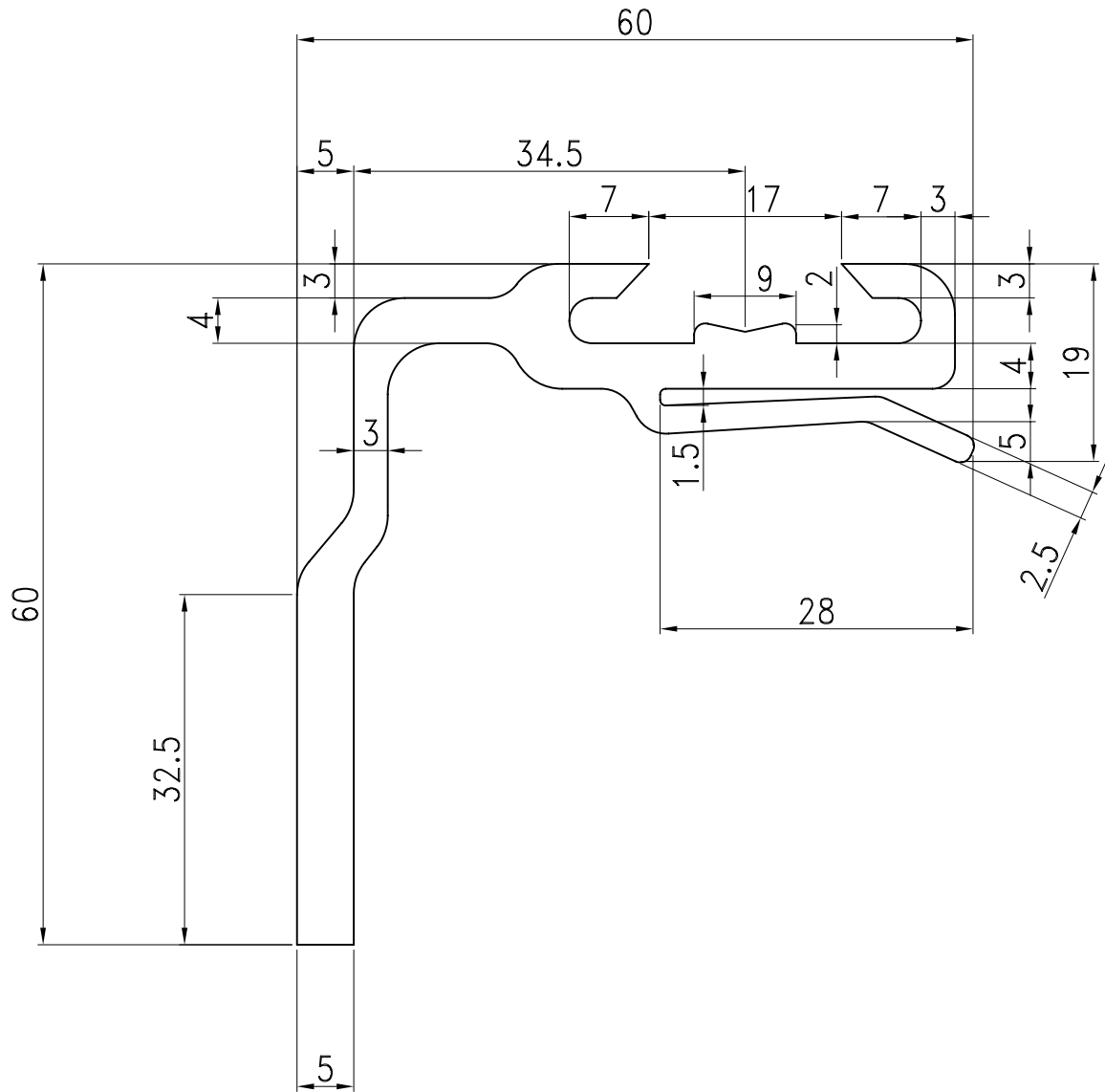
TITLE	Door Sealing Inside 内门封	WEIGHT	
SPEC	SET	MATERIAL	E.P.D.M
PART NO.	CIMC-06-007	PAGE NO.	50



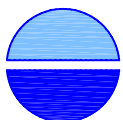
**CIMC**



Authorized Distributor:  
**Pacific Marine & Industrial**  
[www.pacificmarine.net](http://www.pacificmarine.net)  
[info@pacificmarine.net](mailto:info@pacificmarine.net)



TITLE	Door frame profile 门封保持架	WEIGHT	
SPEC	L=2519	MATERIAL	PVC
PART NO.	CIMC-06-008	PAGE NO.	51

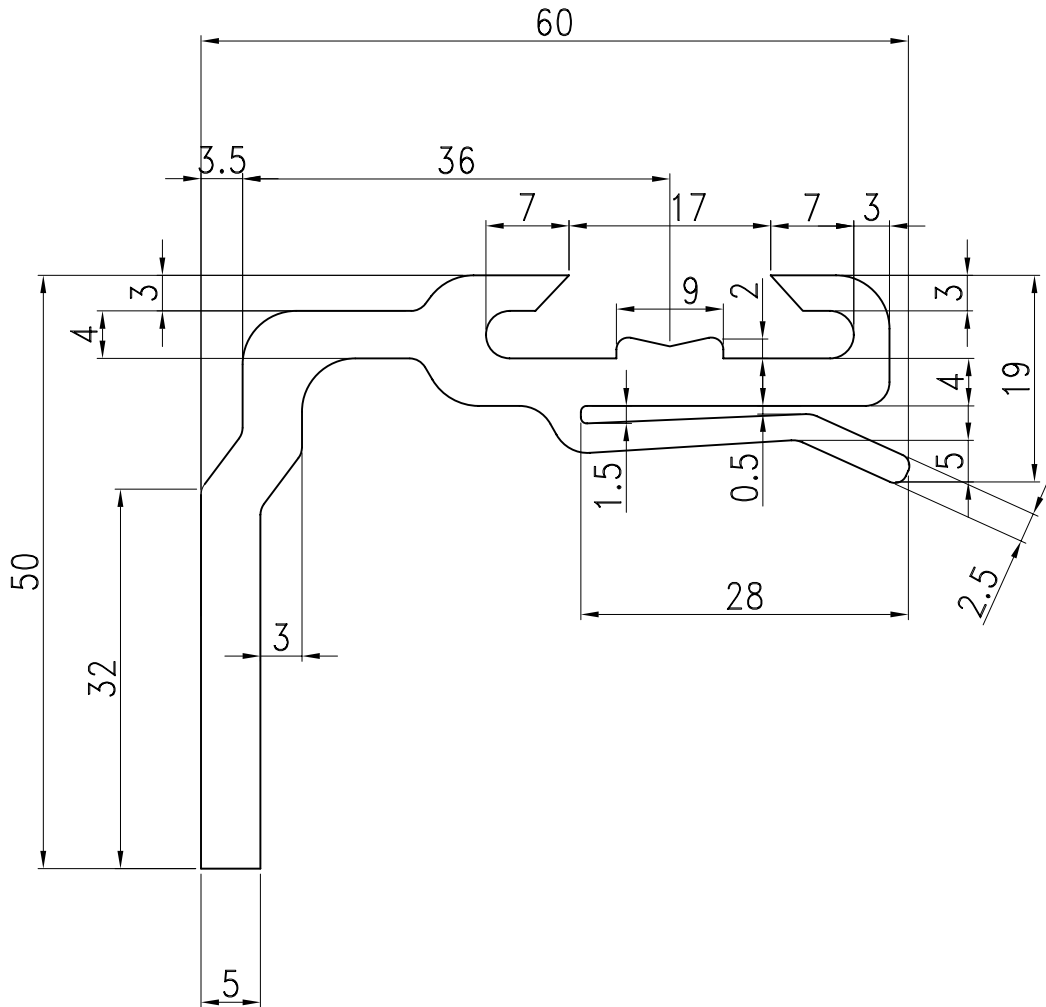


**CIMC**

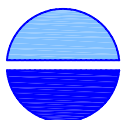


Authorized Distributor:  
**Pacific Marine & Industrial**  
[www.pacificmarine.net](http://www.pacificmarine.net)  
[info@pacificmarine.net](mailto:info@pacificmarine.net)





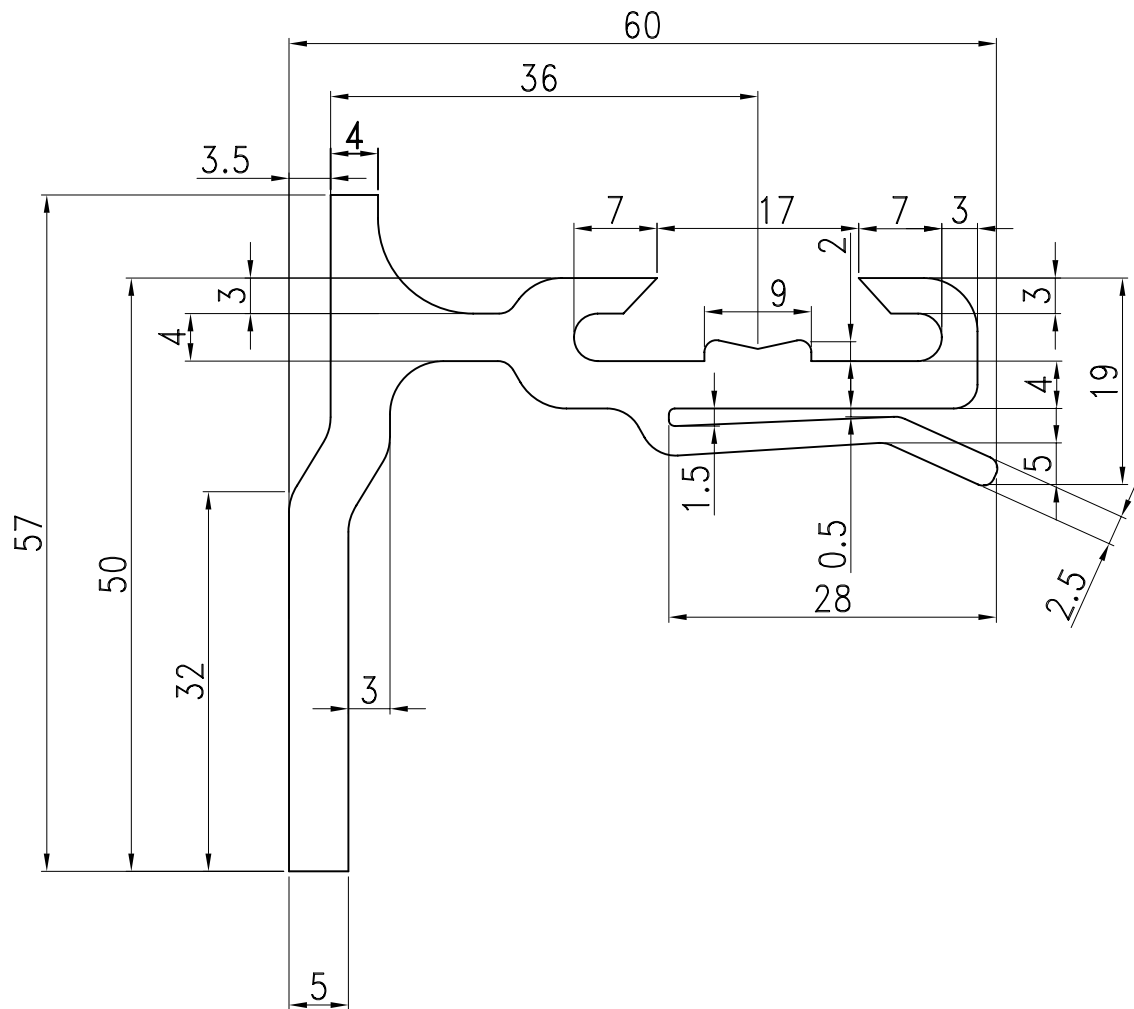
TITLE	Door frame profile 门封保持架	WEIGHT	
SPEC	L=2519	MATERIAL	PVC
PART NO.	CIMC-06-009	PAGE NO.	52



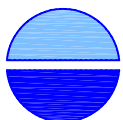
**CIMC**



Authorized Distributor:  
**Pacific Marine & Industrial**  
[www.pacificmarine.net](http://www.pacificmarine.net)  
[info@pacificmarine.net](mailto:info@pacificmarine.net)



TITLE	Door frame profile 门封保持架	WEIGHT	
SPEC	L=2540	MATERIAL	PVC
PART NO.	CIMC-06-010	PAGE NO.	53

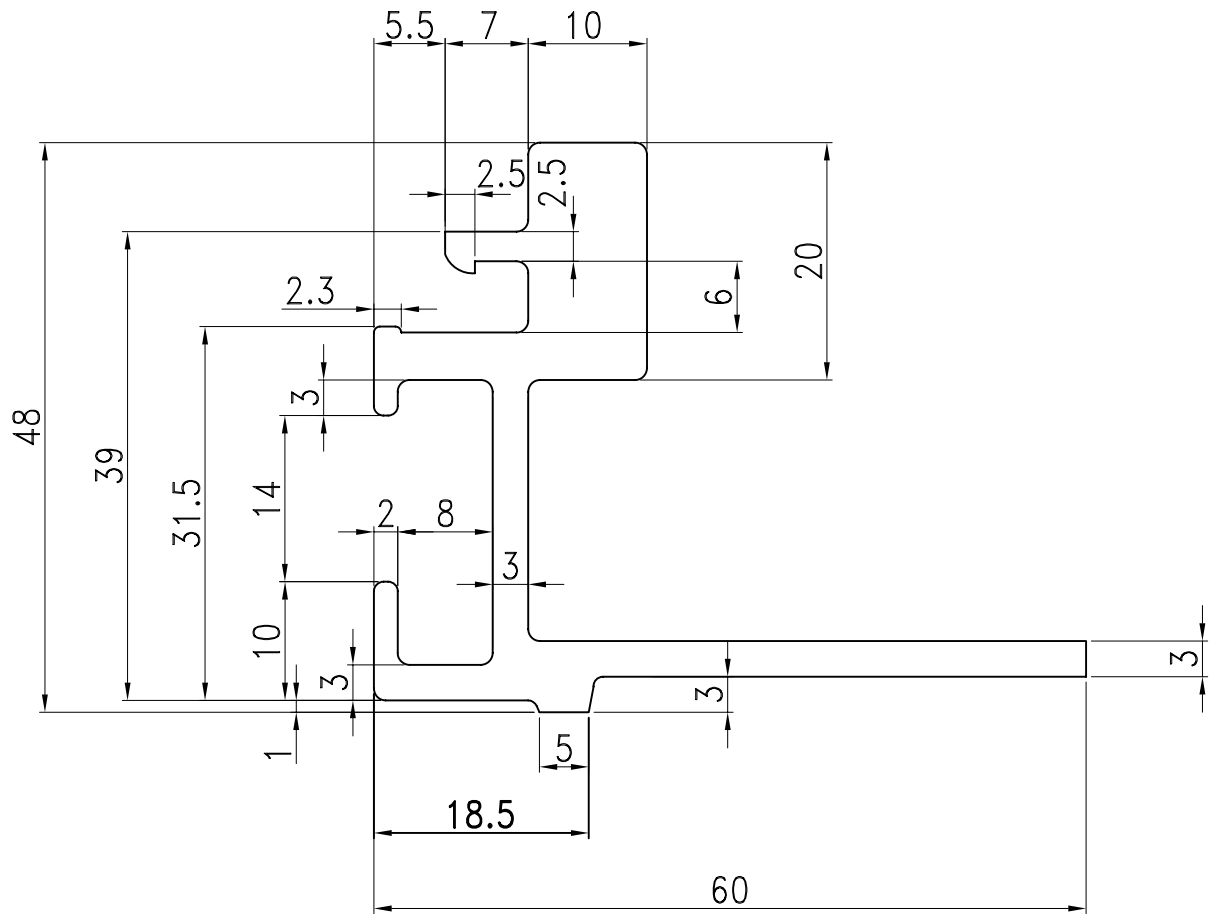


**CIMC**

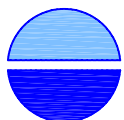


Authorized Distributor:  
**Pacific Marine & Industrial**  
[www.pacificmarine.net](http://www.pacificmarine.net)  
[info@pacificmarine.net](mailto:info@pacificmarine.net)

Type	Spec
CIMC-06-011	2600
CIMC-06-011-1	1117
CIMC-06-011-3	2532



TITLE	Door Frame 门框保持架	WEIGHT	
SPEC		MATERIAL	6061-T6
PART NO.	CIMC-06-011	PAGE NO.	54

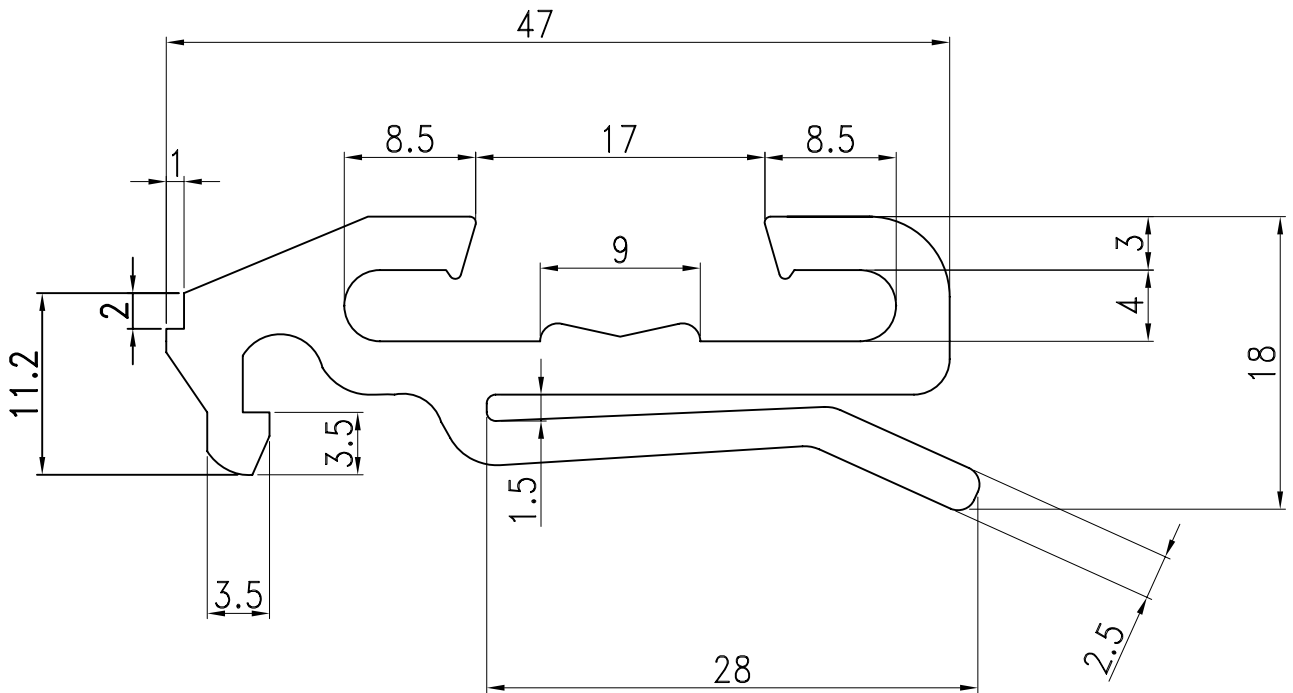


**CIMC**

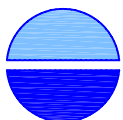


Authorized Distributor:  
**Pacific Marine & Industrial**  
[www.pacificmarine.net](http://www.pacificmarine.net)  
[info@pacificmarine.net](mailto:info@pacificmarine.net)

Type	Param.	Spec
1	L	1125
2	L	2540
3	L	2235



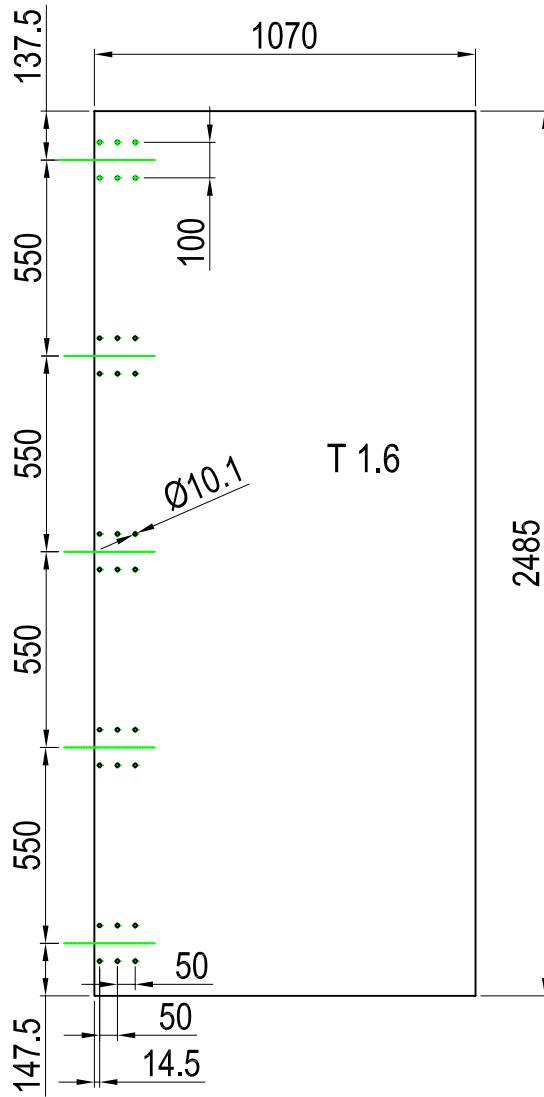
TITLE	Door Frame Profile 门框保持架	WEIGHT	
SPEC		MATERIAL	PVC
PART NO.	CIMC-06-012	PAGE NO.	55



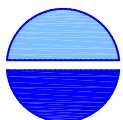
**CIMC**



Authorized Distributor:  
**Pacific Marine & Industrial**  
[www.pacificmarine.net](http://www.pacificmarine.net)  
[info@pacificmarine.net](mailto:info@pacificmarine.net)



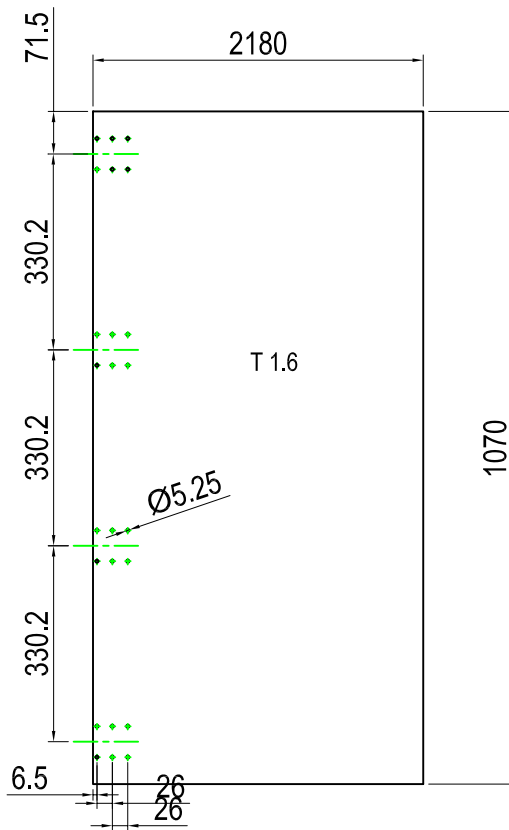
TITLE	Door Panel Left 左门板	WEIGHT	
SPEC		MATERIAL	MGSS
PART NO.	CIMC-06-013	PAGE NO.	56



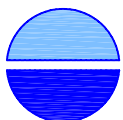
**CIMC**



Authorized Distributor:  
**Pacific Marine & Industrial**  
[www.pacificmarine.net](http://www.pacificmarine.net)  
[info@pacificmarine.net](mailto:info@pacificmarine.net)



TITLE	Door Panel 门板	WEIGHT	
SPEC		MATERIAL	MGSS
PART NO.	CIMC-06-015	PAGE NO.	57

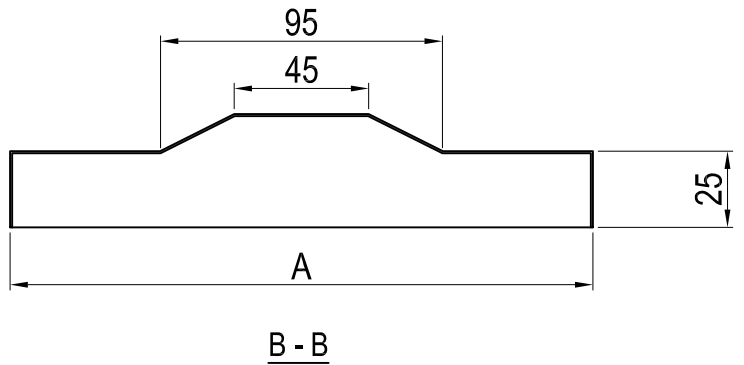
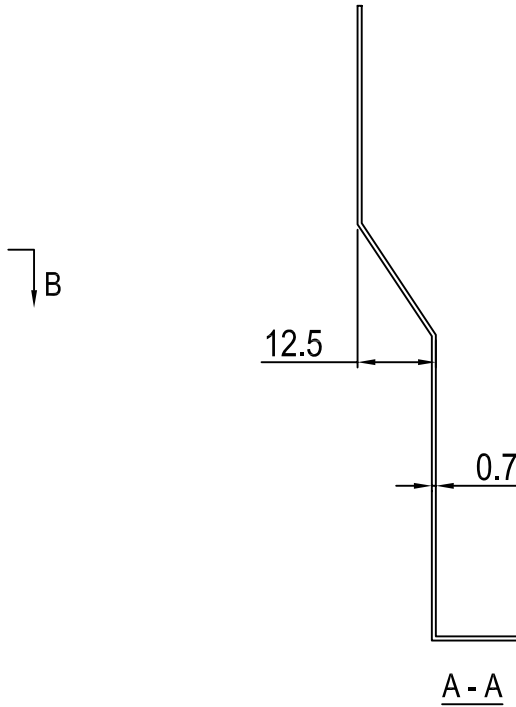
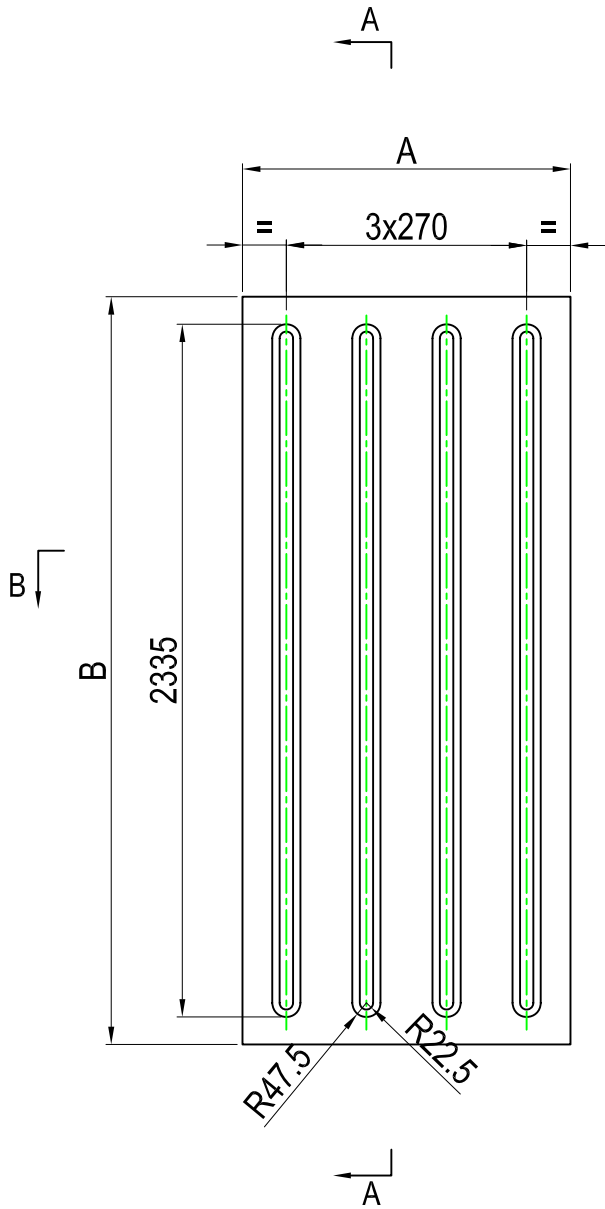


**CIMC**

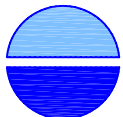


Authorized Distributor:  
**Pacific Marine & Industrial**  
[www.pacificmarine.net](http://www.pacificmarine.net)  
[info@pacificmarine.net](mailto:info@pacificmarine.net)

A	B	Type	Param.
1105	2520	1	CIMC-06-016-1
1079	2497	2	CIMC-06-016-2
1091	2497	3	CIMC-06-016-3



TITLE	Door Lining 门内衬	WEIGHT	
SPEC		MATERIAL	SUS304
PART NO.	CIMC-06-016	PAGE NO.	58

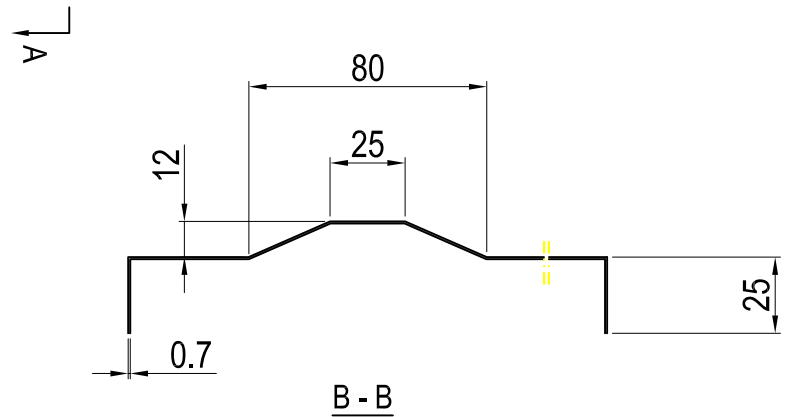
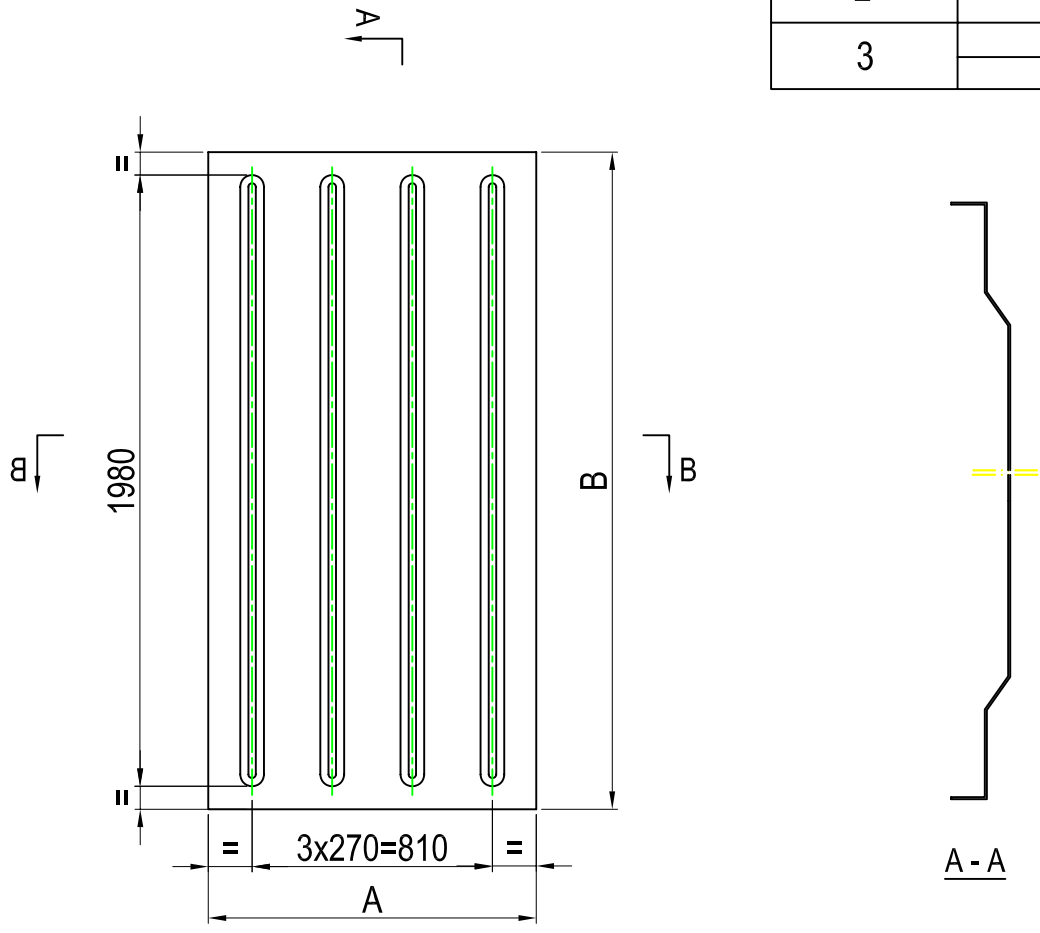


**CIMC**

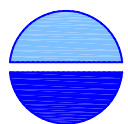


Authorized Distributor:  
 Pacific Marine & Industrial  
 www.pacificmarine.net  
 info@pacificmarine.net

Type	Param.	Spec
1	A	1105
	B	2215
2	A	1079
	B	2192
3	A	1091
	B	2192



TITLE	Door Lining 门内衬	WEIGHT	
SPEC		MATERIAL	SUS304
PART NO.	CIMC-06-017	PAGE NO.	57

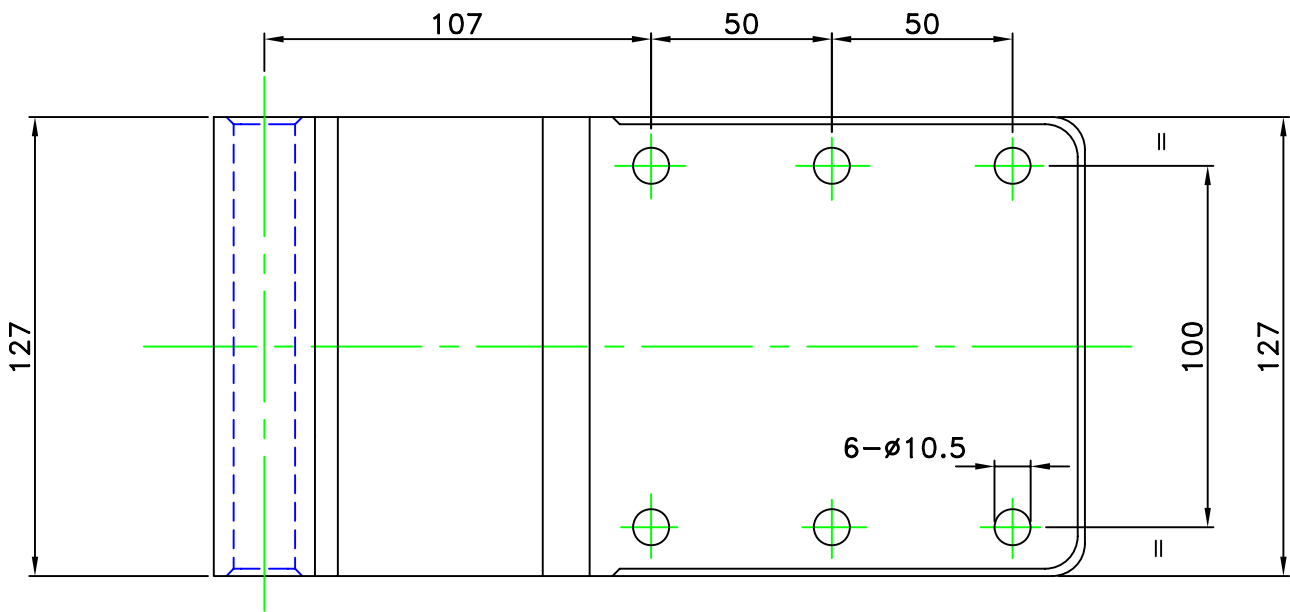
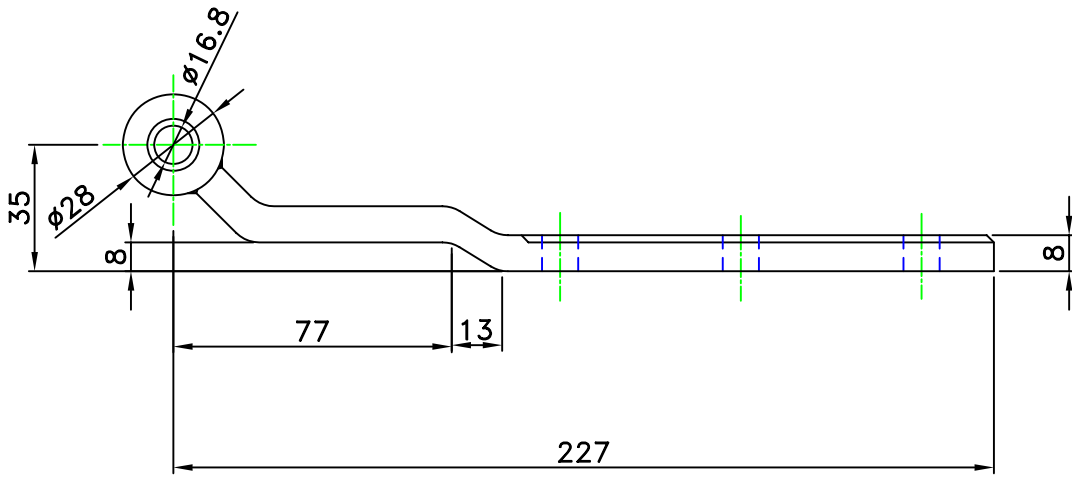


**CIMC**

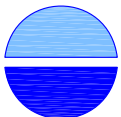


Authorized Distributor:  
**Pacific Marine & Industrial**  
 www.pacificmarine.net  
 info@pacificmarine.net





TITLE	Door Hinge 门铰链	WEIGHT	
SPEC	H=127mm , without hole	MATERIAL	SS41
PART NO.	CIMC-06-018	PAGE NO.	60

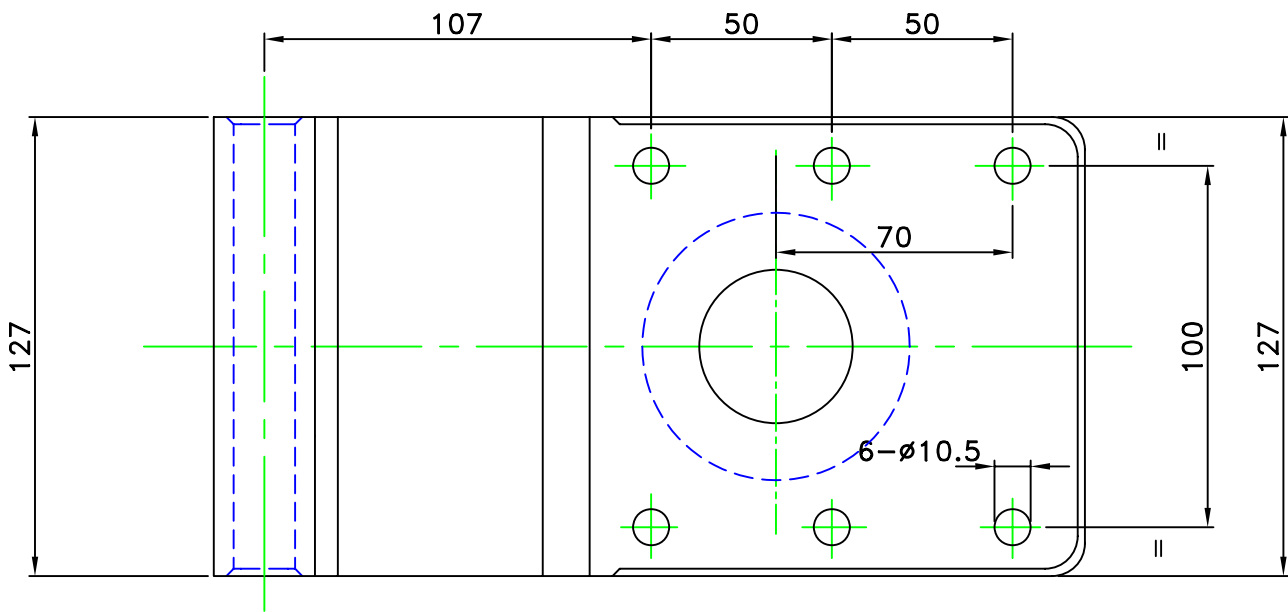
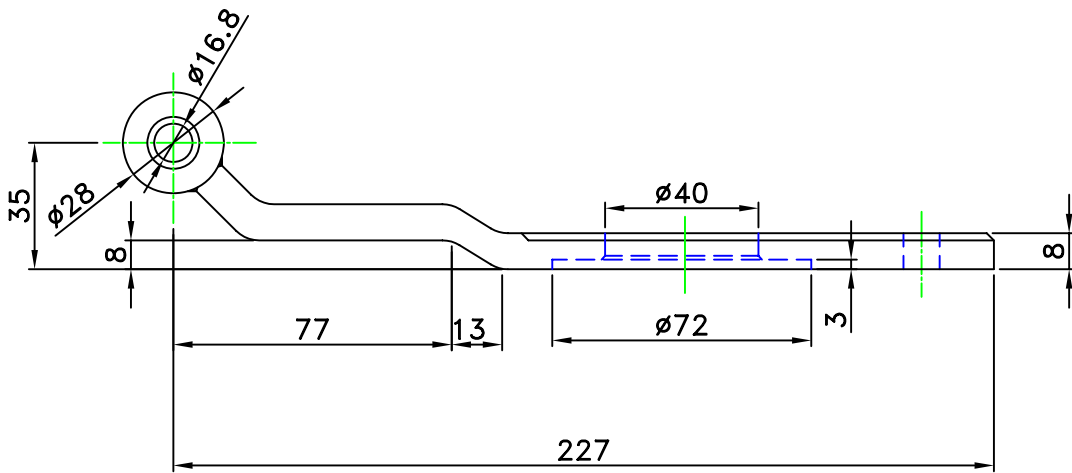


**CIMC**

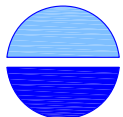


Authorized Distributor:  
**Pacific Marine & Industrial**  
[www.pacificmarine.net](http://www.pacificmarine.net)  
[info@pacificmarine.net](mailto:info@pacificmarine.net)





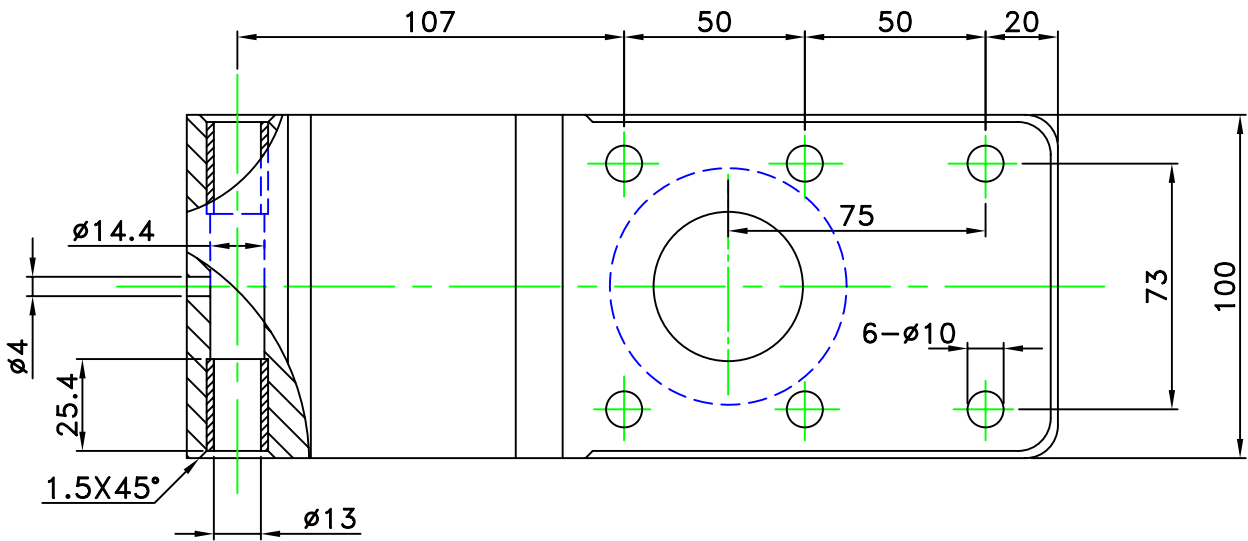
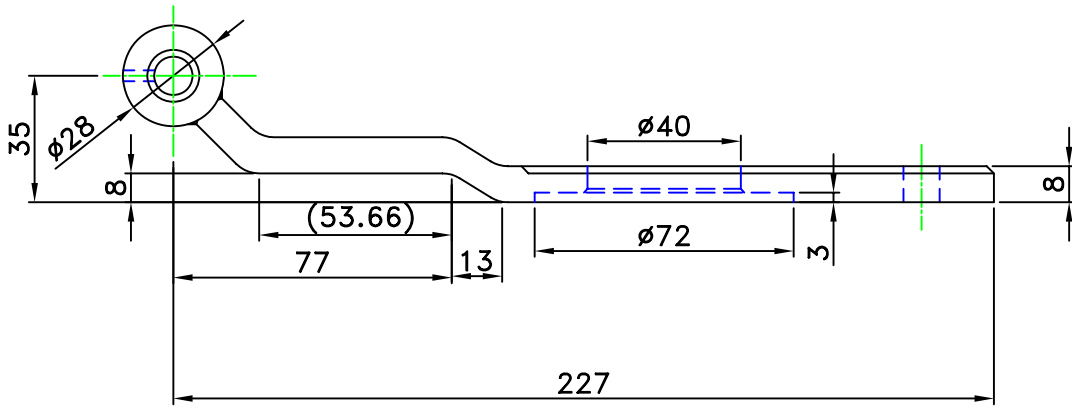
TITLE	Door Hinge 门铰链	WEIGHT	
SPEC	H=127mm , with hole	MATERIAL	SS41
PART NO.	CIMC-06-019	PAGE NO.	62



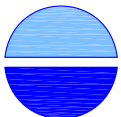
**CIMC**



Authorized Distributor:  
Pacific Marine & Industrial  
www.pacificmarine.net  
info@pacificmarine.net



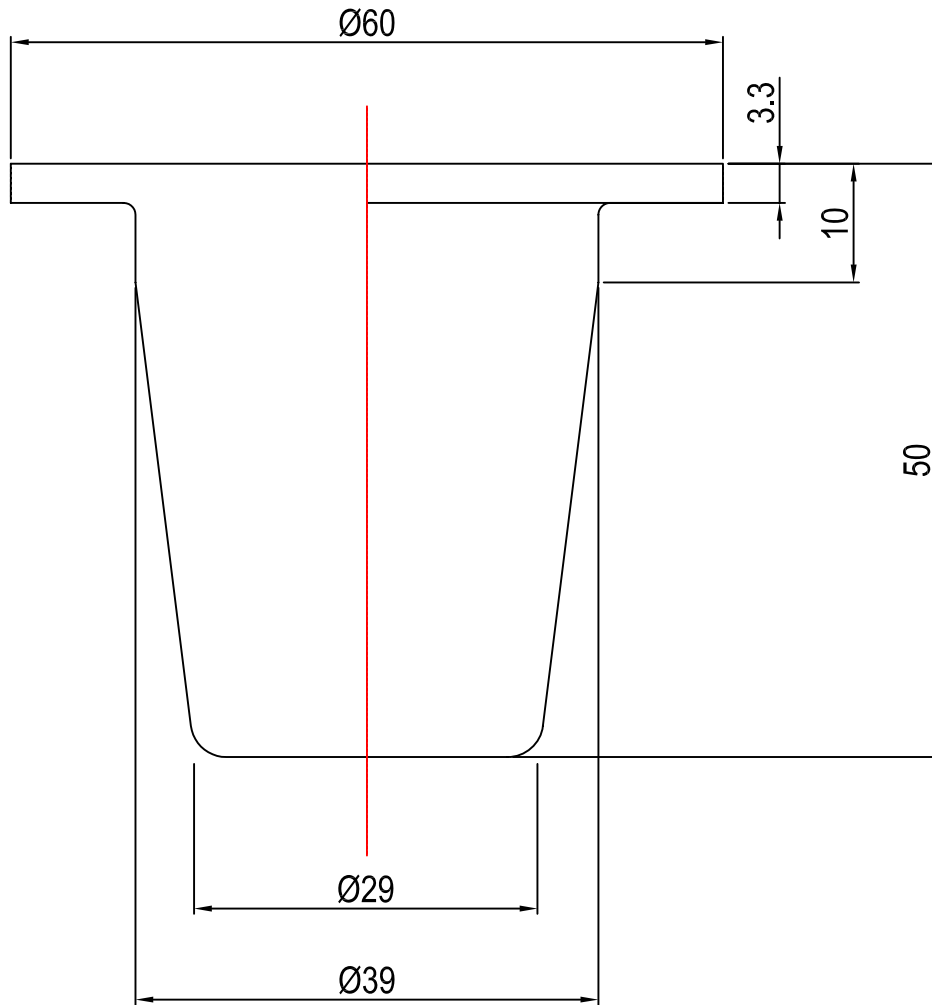
TITLE	Door Hinge 门铰链	WEIGHT	
SPEC	H=100mm , With hole	MATERIAL	SS41
PART NO.	CIMC-06-019-1	PAGE NO.	63



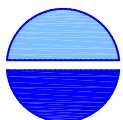
**CIMC**



Authorized Distributor:  
Pacific Marine & Industrial  
www.pacificmarine.net  
info@pacificmarine.net



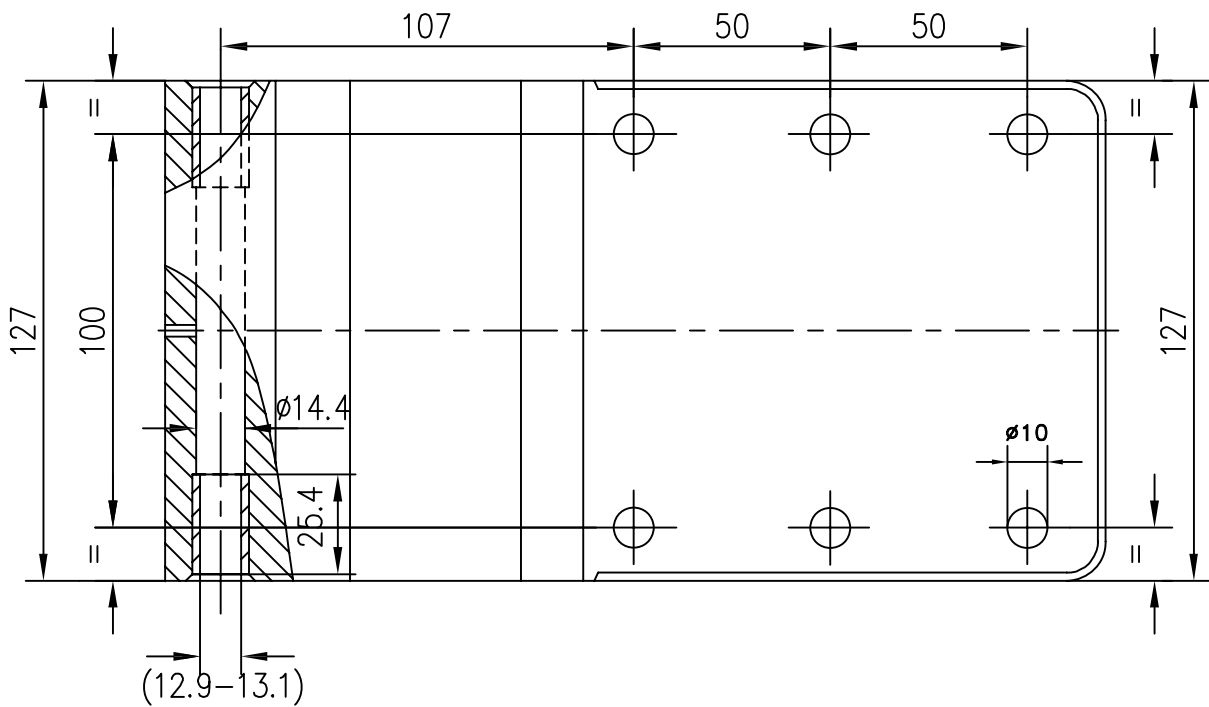
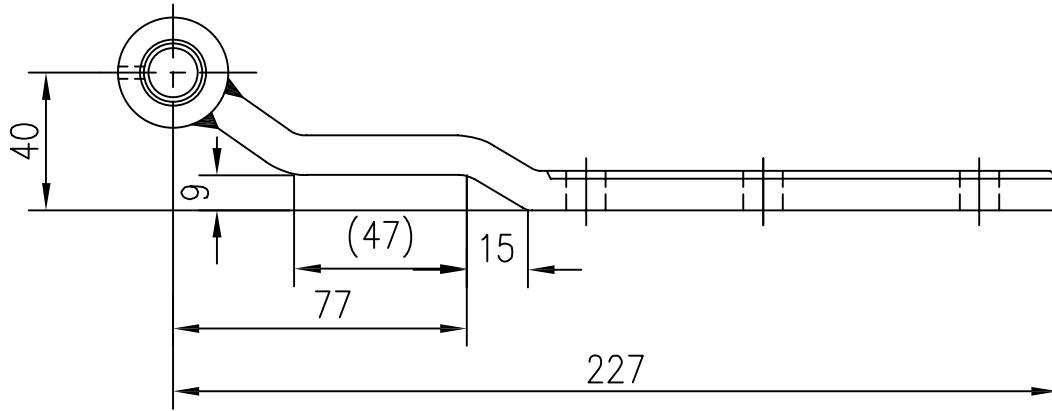
TITLE	Door bumper 防撞块	WEIGHT	
SPEC		MATERIAL	EPDM
PART NO.	CIMC-06-019-2	PAGE NO.	64



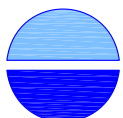
**CIMC**



Authorized Distributor:  
**Pacific Marine & Industrial**  
[www.pacificmarine.net](http://www.pacificmarine.net)  
[info@pacificmarine.net](mailto:info@pacificmarine.net)



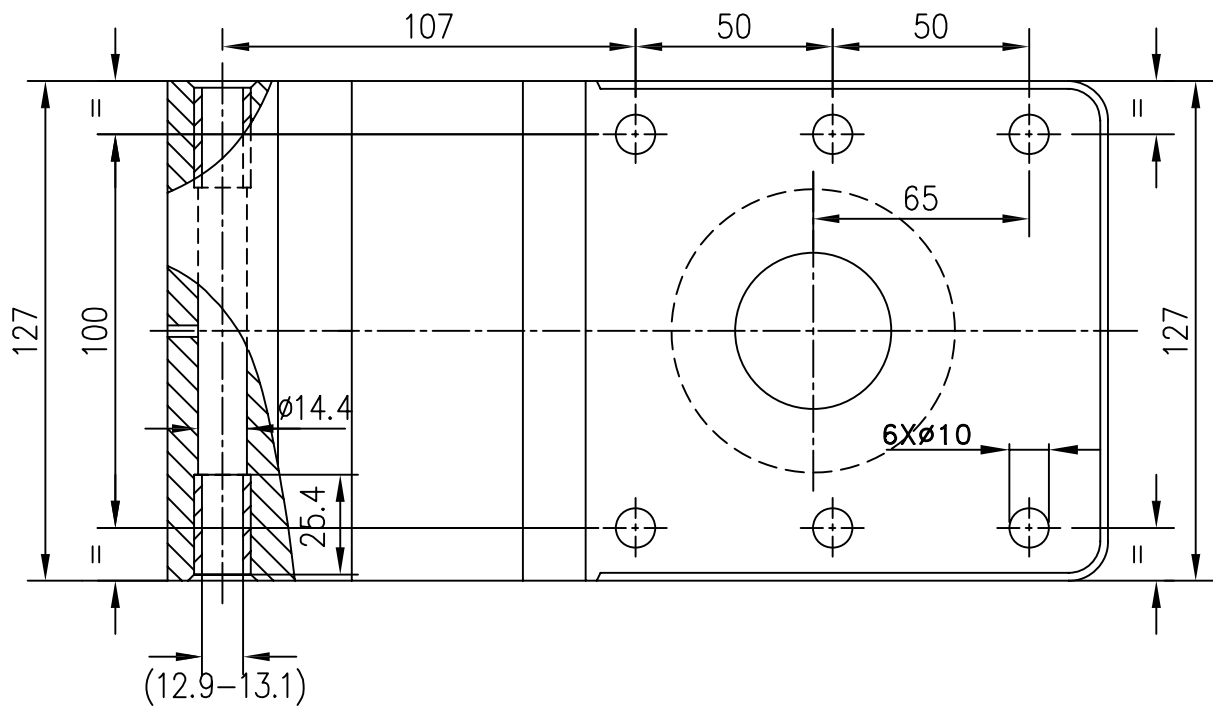
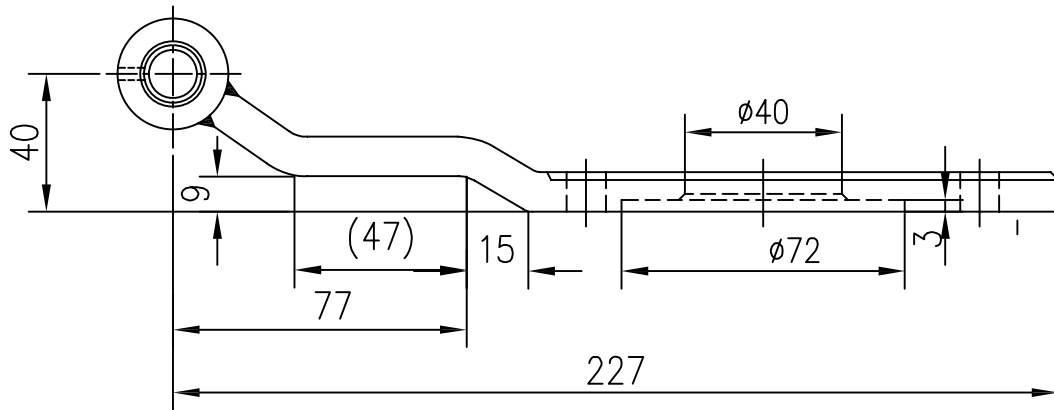
TITLE	Door Hinge 门铰链	WEIGHT	
SPEC	without hole	MATERIAL	SS41
PART NO.	CIMC-06-020	PAGE NO.	65



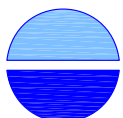
**CIMC**



Authorized Distributor:  
**Pacific Marine & Industrial**  
[www.pacificmarine.net](http://www.pacificmarine.net)  
[info@pacificmarine.net](mailto:info@pacificmarine.net)



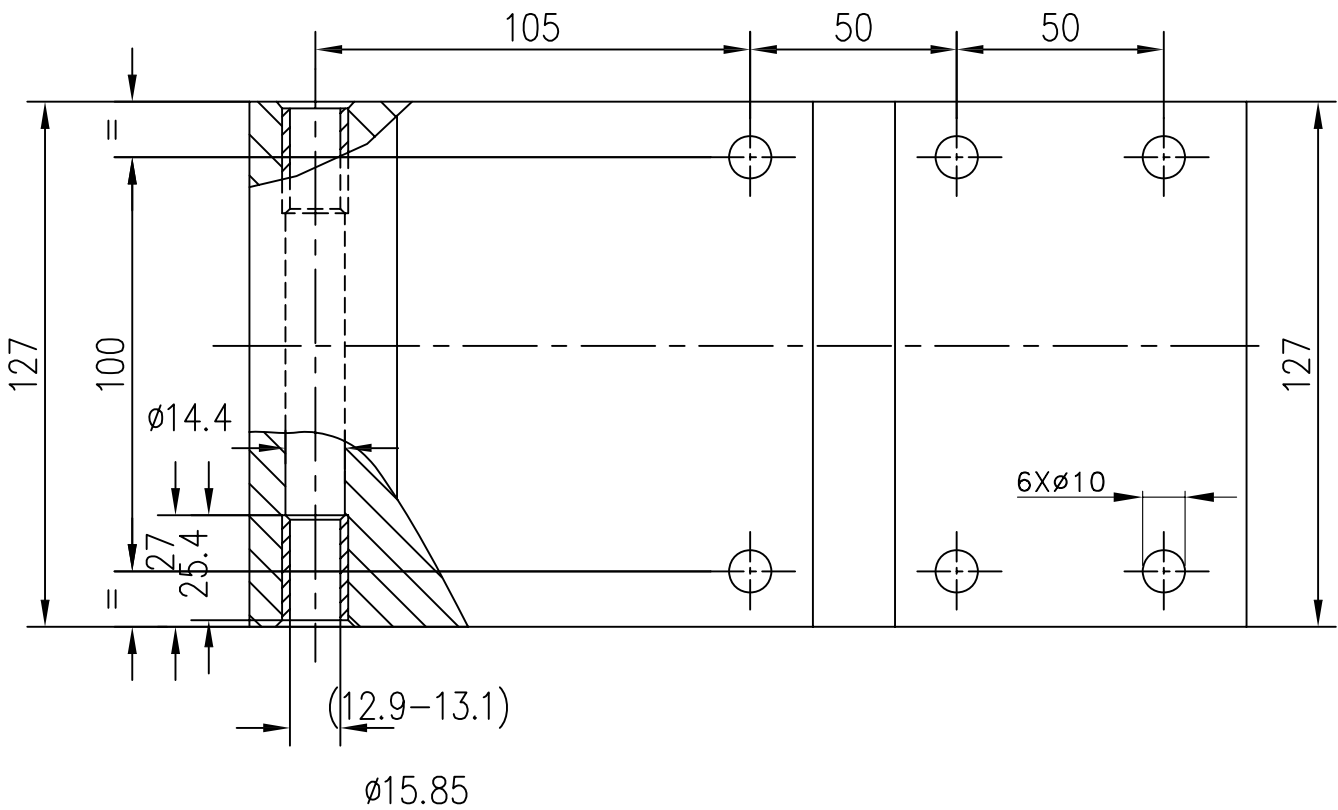
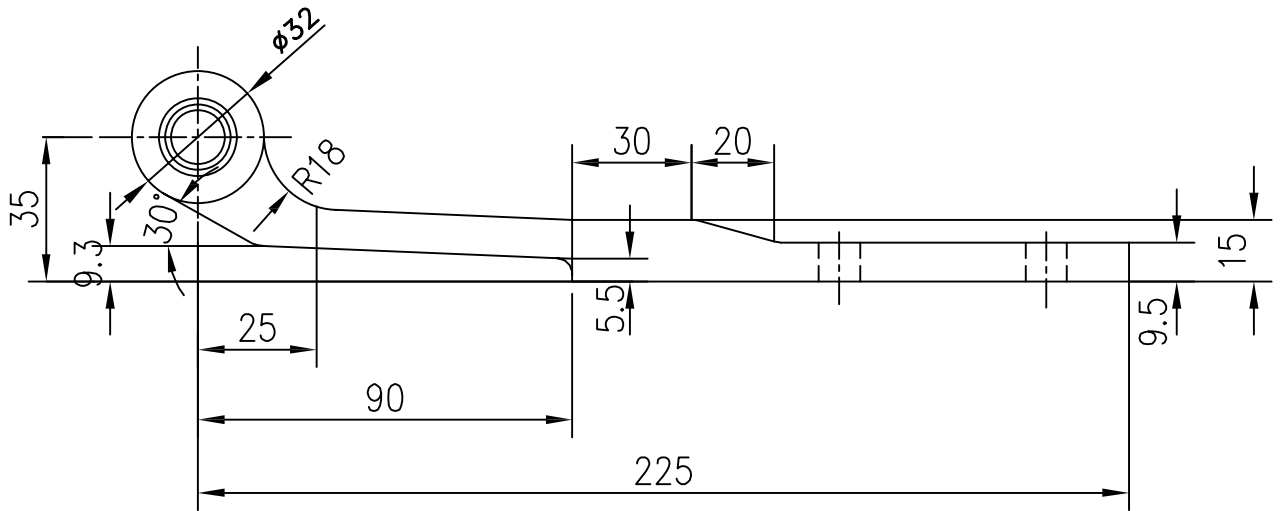
TITLE	Door Hinge 门铰链	WEIGHT	
SPEC	with hole	MATERIAL	SS41
PART NO.	CIMC-06-021	PAGE NO.	66



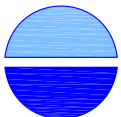
**CIMC**



Authorized Distributor:  
**Pacific Marine & Industrial**  
[www.pacificmarine.net](http://www.pacificmarine.net)  
[info@pacificmarine.net](mailto:info@pacificmarine.net)



TITLE	Door Hinge 门铰链	WEIGHT	
SPEC	H=127mm	MATERIAL	6061-T6
PART NO.	CIMC-06-022	PAGE NO.	67



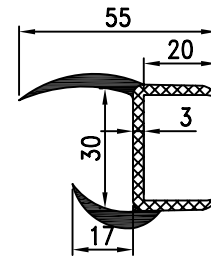
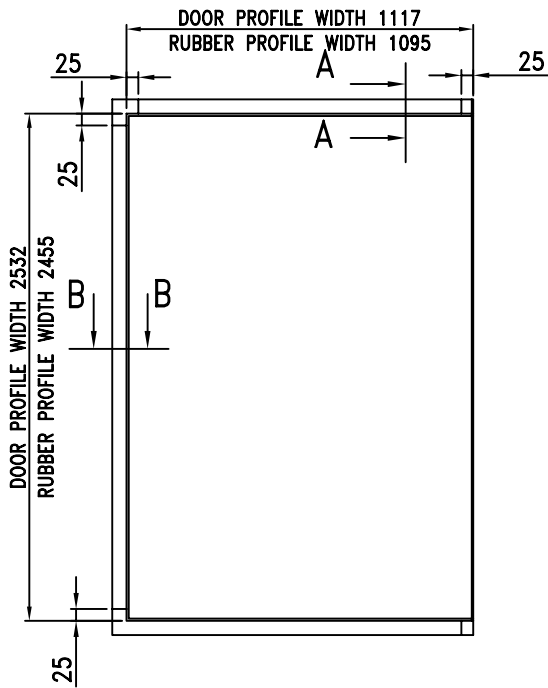
**CIMC**



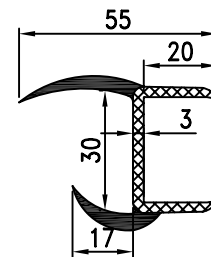
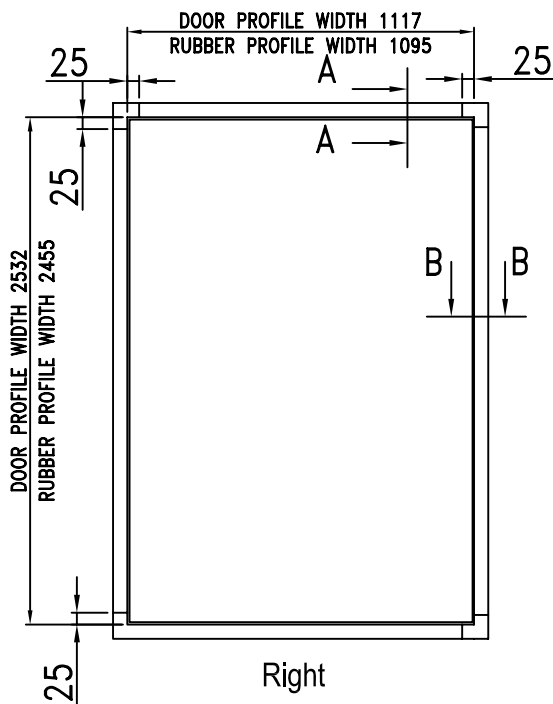
Authorized Distributor:  
Pacific Marine & Industrial  
www.pacificmarine.net  
info@pacificmarine.net



PART NO.	Spec.
CIMC-06-025	SET
CIMC-06-025-1	"H" Type

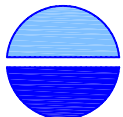


A-A  
CIMC-06-025



L=2.5M  
B-B  
CIMC-06-025-1

TITLE	Door Gasket 门封条	WEIGHT	
SPEC	"H" Type , L=2.5M	MATERIAL	PVC & EPDM
PART NO.	CIMC-06-025,CIMC-06-025-1	PAGE NO.	69

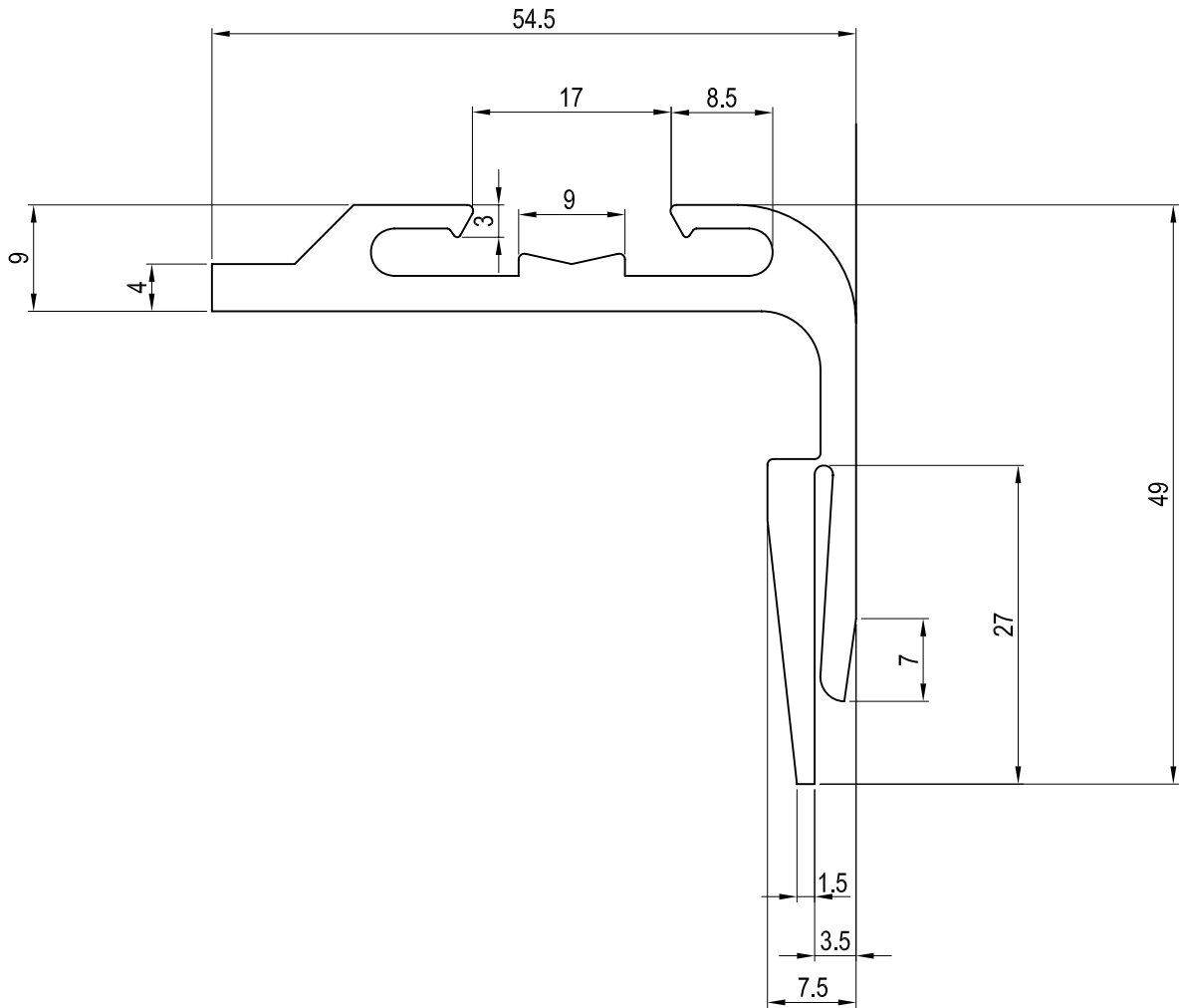


**CIMC**

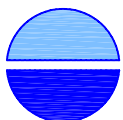


Authorized Distributor:  
Pacific Marine & Industrial  
www.pacificmarine.net  
info@pacificmarine.net

Type	Param.	Spec
1	CIMC-06-026	2600
2	CIMC-06-026-1	1200
3	CIMC-06-026-2	2400



TITLE	Door Frame Profile 门封保持架	WEIGHT	
SPEC		MATERIAL	PVC
PART NO.	CIMC-06-026	PAGE NO.	70

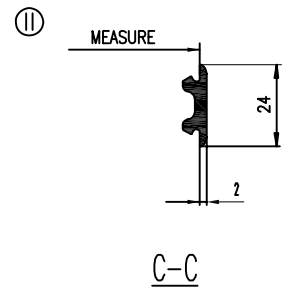
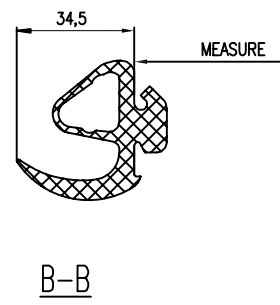
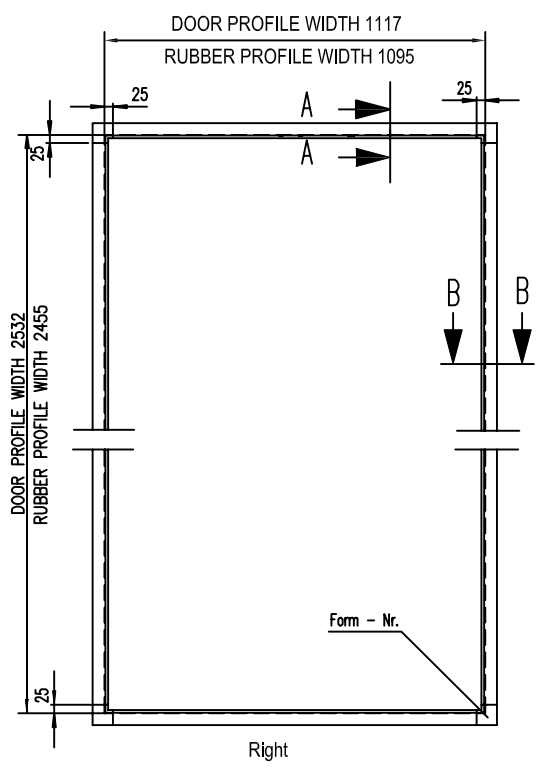
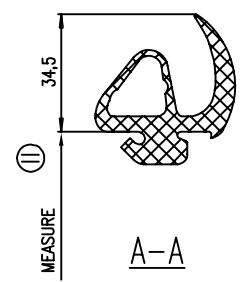
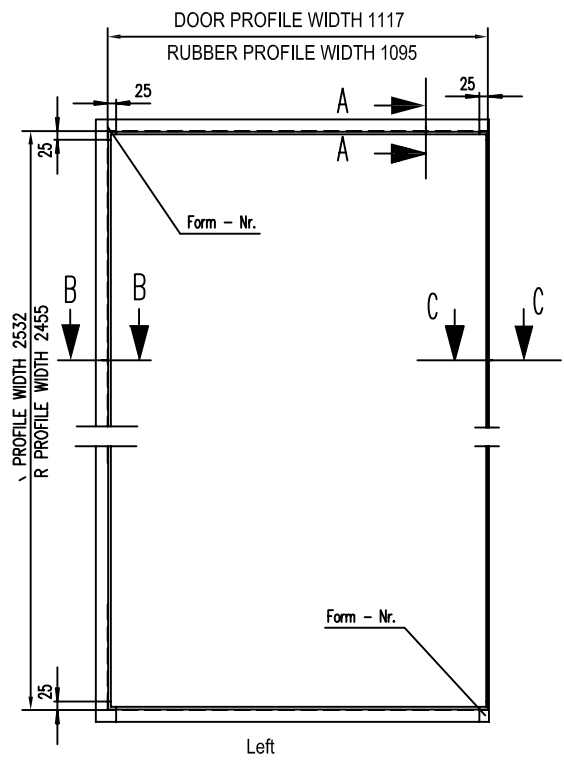


**CIMC**



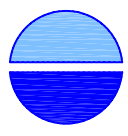
Authorized Distributor:  
**Pacific Marine & Industrial**  
[www.pacificmarine.net](http://www.pacificmarine.net)  
[info@pacificmarine.net](mailto:info@pacificmarine.net)

PART NO.	Spec.
0302HDL-2301	set
SECTION B-B	2500mm/pc



Ⓜ To be measure from this edge

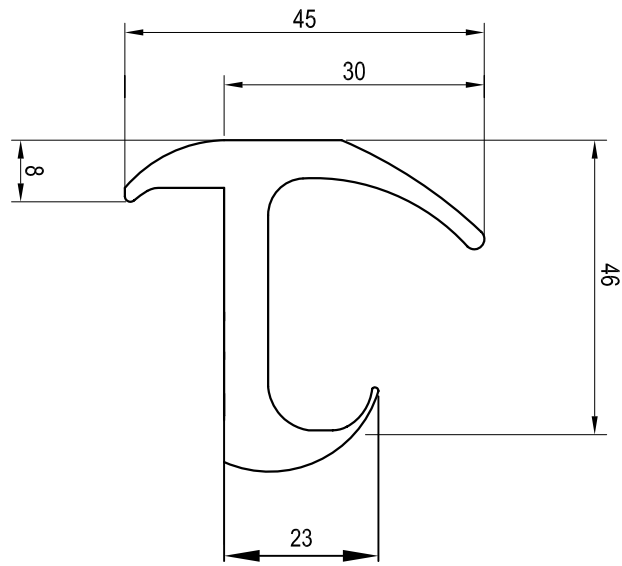
TITLE	Door Gasket 门封条	WEIGHT	
SPEC		MATERIAL	E.P.D.M
PART NO.	0302HDL-2301	PAGE NO.	71



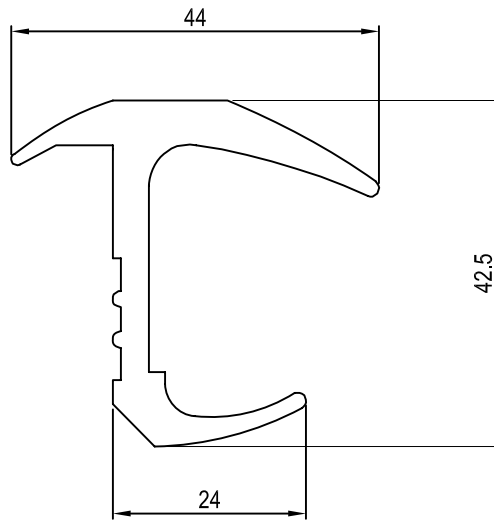
**CIMC**



Authorized Distributor:  
Pacific Marine & Industrial  
www.pacificmarine.net  
info@pacificmarine.net

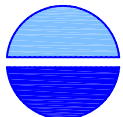


0301HD-06-6



HD-2

TITLE	Door Gasket 门封条	WEIGHT	
SPEC		MATERIAL	E.P.D.M
PART NO.	0301HD-06-6 & HD-2	PAGE NO.	72

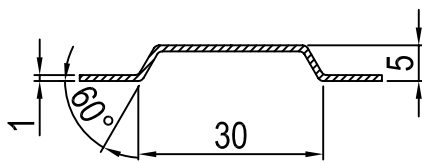
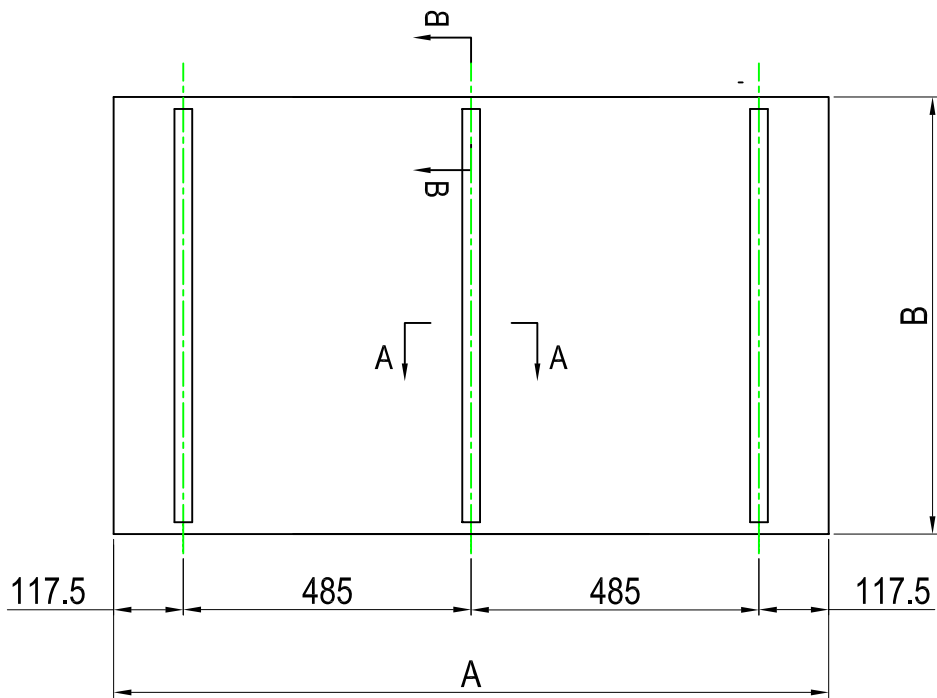


**CIMC**

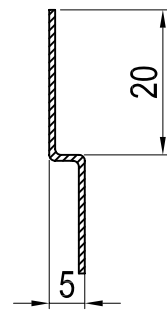


Authorized Distributor:  
**Pacific Marine & Industrial**  
[www.pacificmarine.net](http://www.pacificmarine.net)  
[info@pacificmarine.net](mailto:info@pacificmarine.net)

A	B	Type	Param.
1205	2490	1	CIMC-07-001-1
1205	2185	2	CIMC-07-001-2

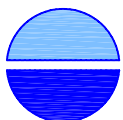


A - A



B - B

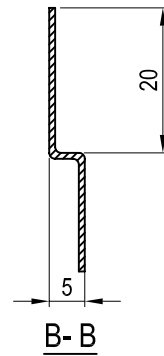
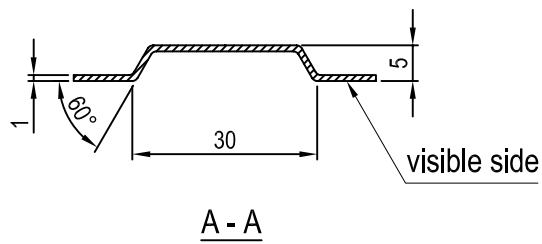
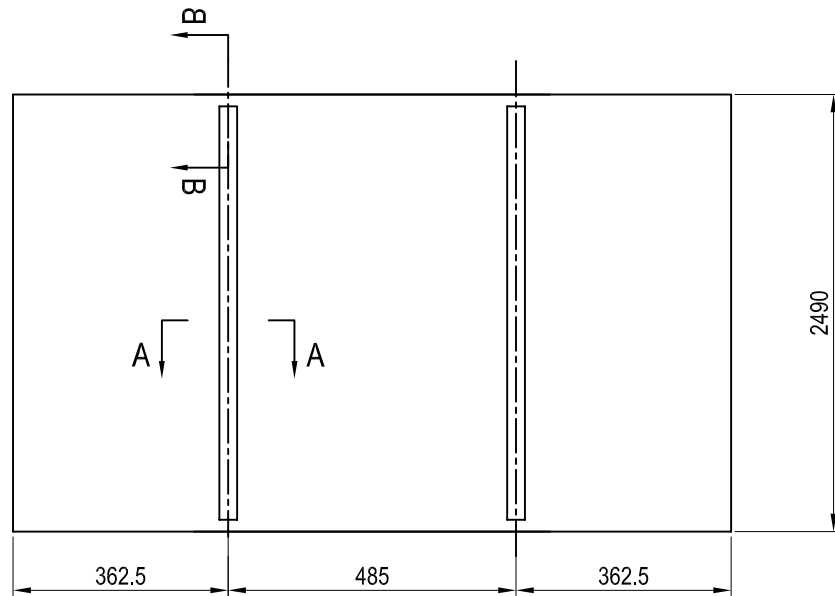
TITLE	Side Panel 外侧板	WEIGHT	
SPEC		MATERIAL	MGSS
PART NO.	CIMC-07-001	PAGE NO.	73



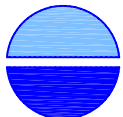
**CIMC**



Authorized Distributor:  
**Pacific Marine & Industrial**  
[www.pacificmarine.net](http://www.pacificmarine.net)  
[info@pacificmarine.net](mailto:info@pacificmarine.net)



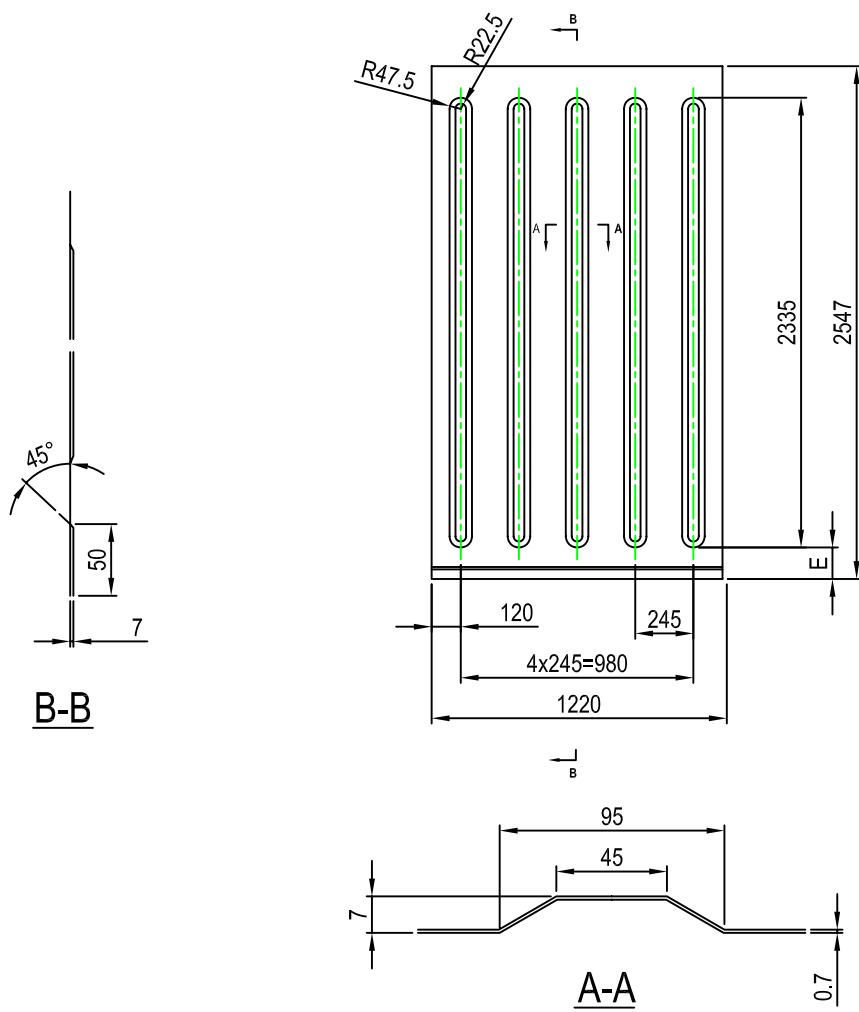
TITLE	Side Panel 外侧板	WEIGHT	22.597KGS
SPEC	1.0X1210X2490	MATERIAL	MGSS
PART NO.	CIMC-07-0013	PAGE NO.	74



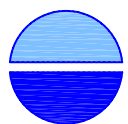
**CIMC**



Authorized Distributor:  
**Pacific Marine & Industrial**  
[www.pacificmarine.net](http://www.pacificmarine.net)  
[info@pacificmarine.net](mailto:info@pacificmarine.net)



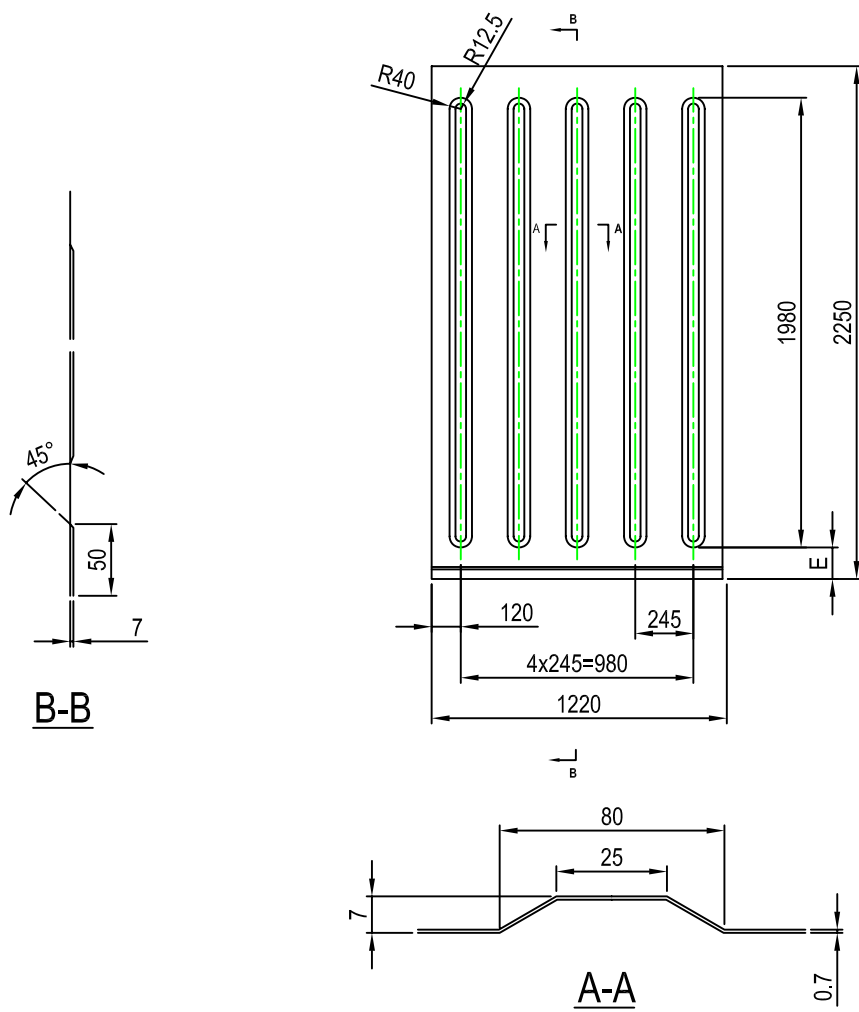
TITLE	Side Lining 内侧板	WEIGHT	17.250KG
SPEC		MATERIAL	SUS304
PART NO.	CIMC-07-002-1	PAGE NO.	75



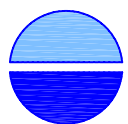
**CIMC**



Authorized Distributor:  
**Pacific Marine & Industrial**  
[www.pacificmarine.net](http://www.pacificmarine.net)  
[info@pacificmarine.net](mailto:info@pacificmarine.net)



TITLE	Side Lining 内侧板	WEIGHT	15.300KG
SPEC		MATERIAL	SUS304
PART NO.	CIMC-07-002-2	PAGE NO.	76

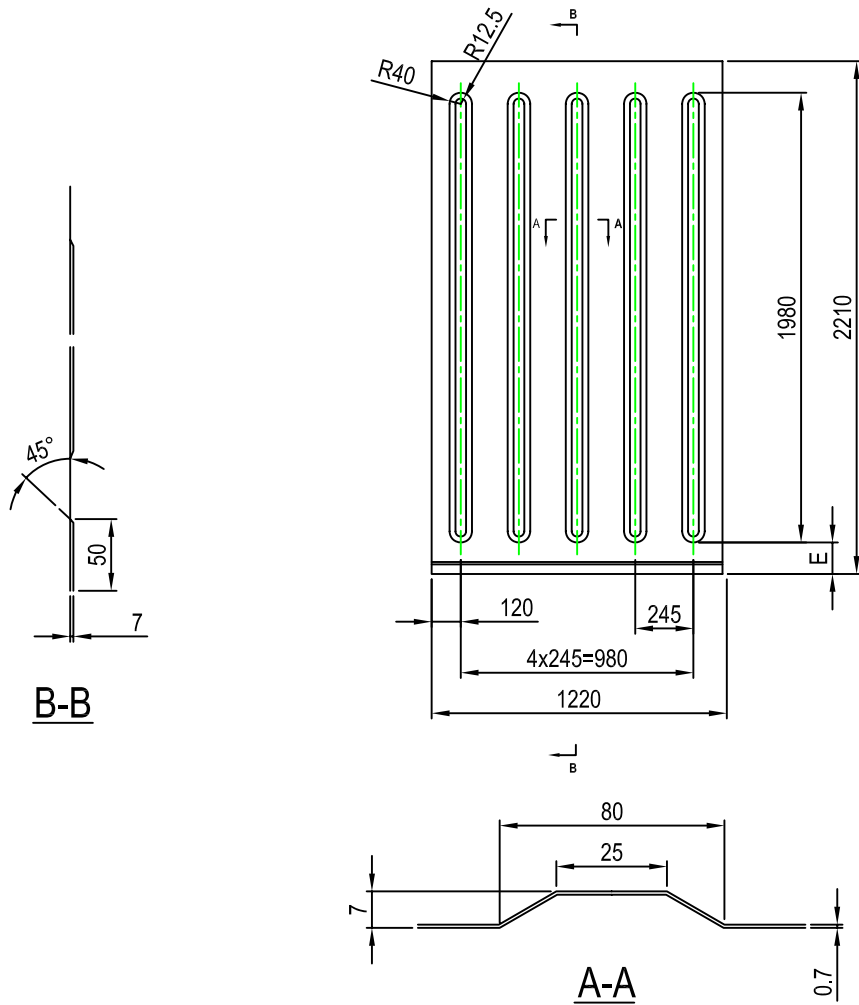


**CIMC**

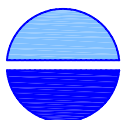


Authorized Distributor:  
**Pacific Marine & Industrial**  
[www.pacificmarine.net](http://www.pacificmarine.net)  
[info@pacificmarine.net](mailto:info@pacificmarine.net)





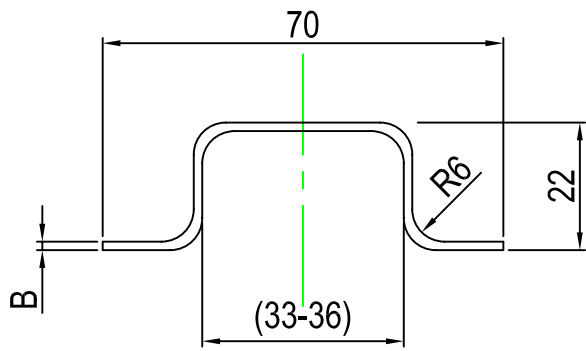
TITLE	Side Lining 内侧板	WEIGHT	
SPEC		MATERIAL	SUS304
PART NO.	CIMC-07-002-3	PAGE NO.	77



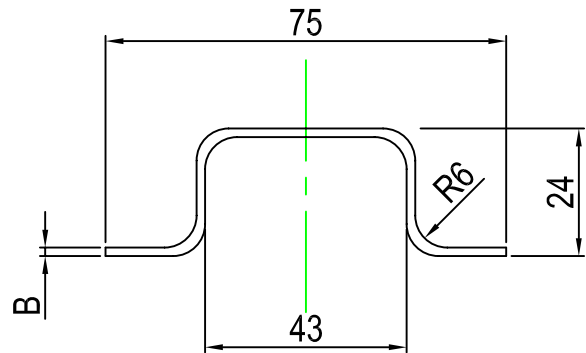
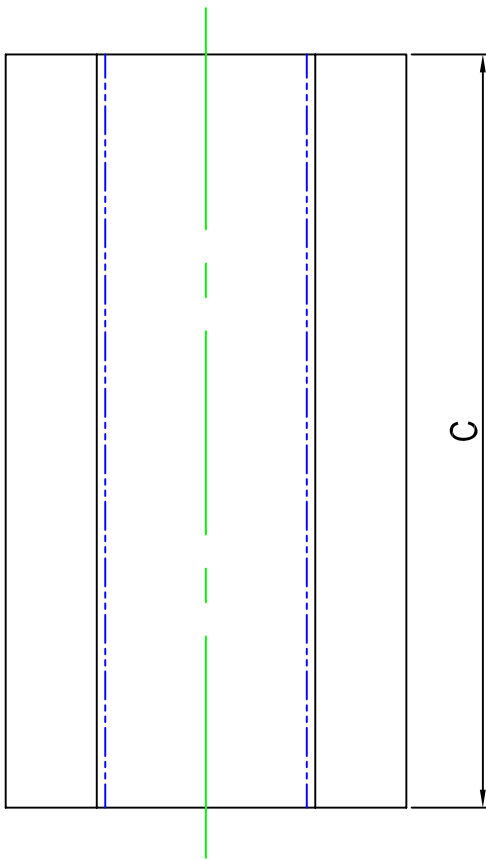
**CIMC**



Authorized Distributor:  
**Pacific Marine & Industrial**  
[www.pacificmarine.net](http://www.pacificmarine.net)  
[info@pacificmarine.net](mailto:info@pacificmarine.net)



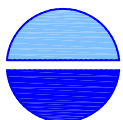
CIMC-07-003-1  
CIMC-07-003-2



CIMC-07-003-3

Type	Param	Spce
1	A	Corten
	B	3.0
	C	2532
2	A	MGSS
	B	0.8
	C	2532
3	A	Corten
	B	1.6
	C	2520

TITLE	Post 加强筋	WEIGHT	
SPEC		MATERIAL	A
PART NO.	CIMC-07-003	PAGE NO.	78

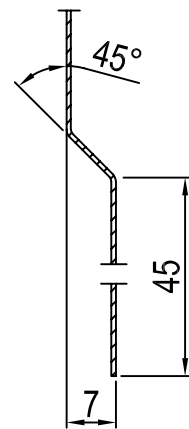
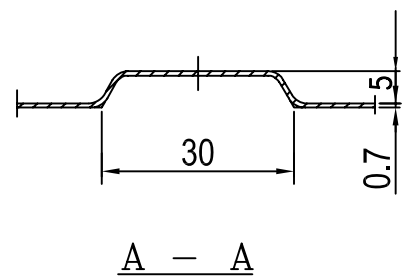
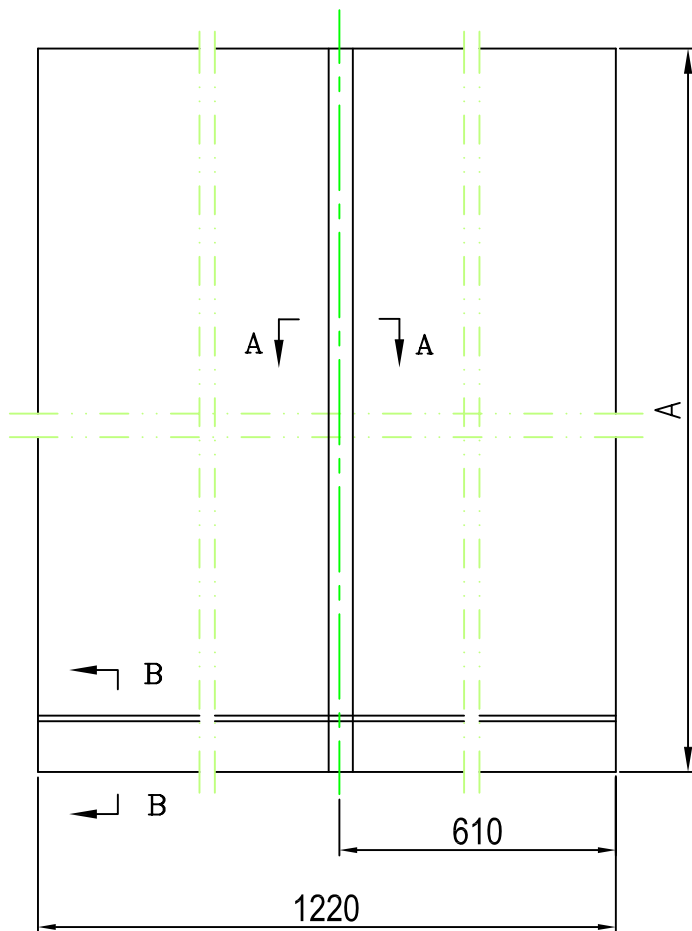


**CIMC**

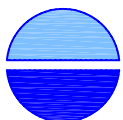


Authorized Distributor:  
Pacific Marine & Industrial  
www.pacificmarine.net  
info@pacificmarine.net

Type	Param	Spce
1	A	2520
2	A	2230



TITLE	Side Lining 内侧板	WEIGHT	16.140/14.283KG
SPEC		MATERIAL	SUS304
PART NO.	CIMC-07-004	PAGE NO.	79

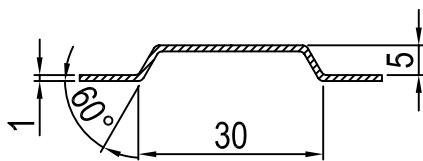
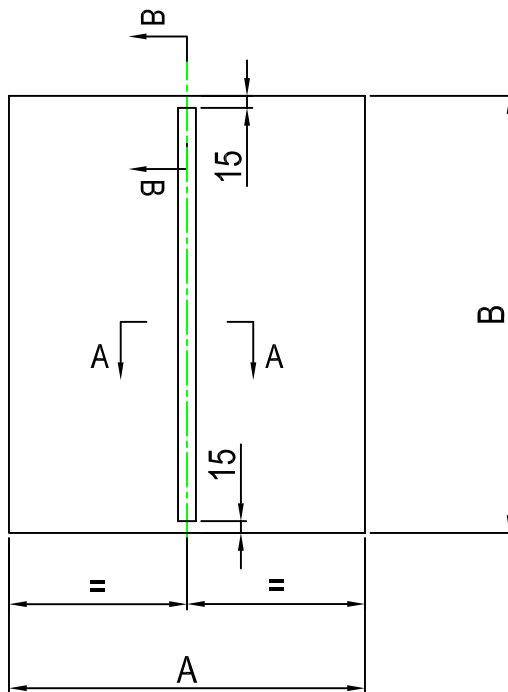


**CIMC**

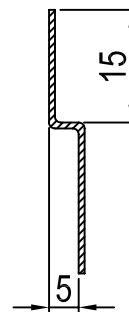


Authorized Distributor:  
**Pacific Marine & Industrial**  
[www.pacificmarine.net](http://www.pacificmarine.net)  
[info@pacificmarine.net](mailto:info@pacificmarine.net)

Type	Spec A	Spec B
1	1220	2354
2	985	2380
3	1220	2370

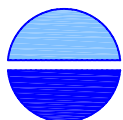


A - A



B - B

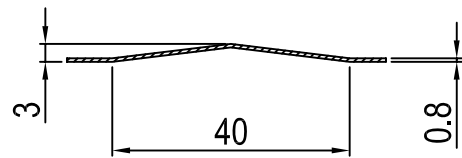
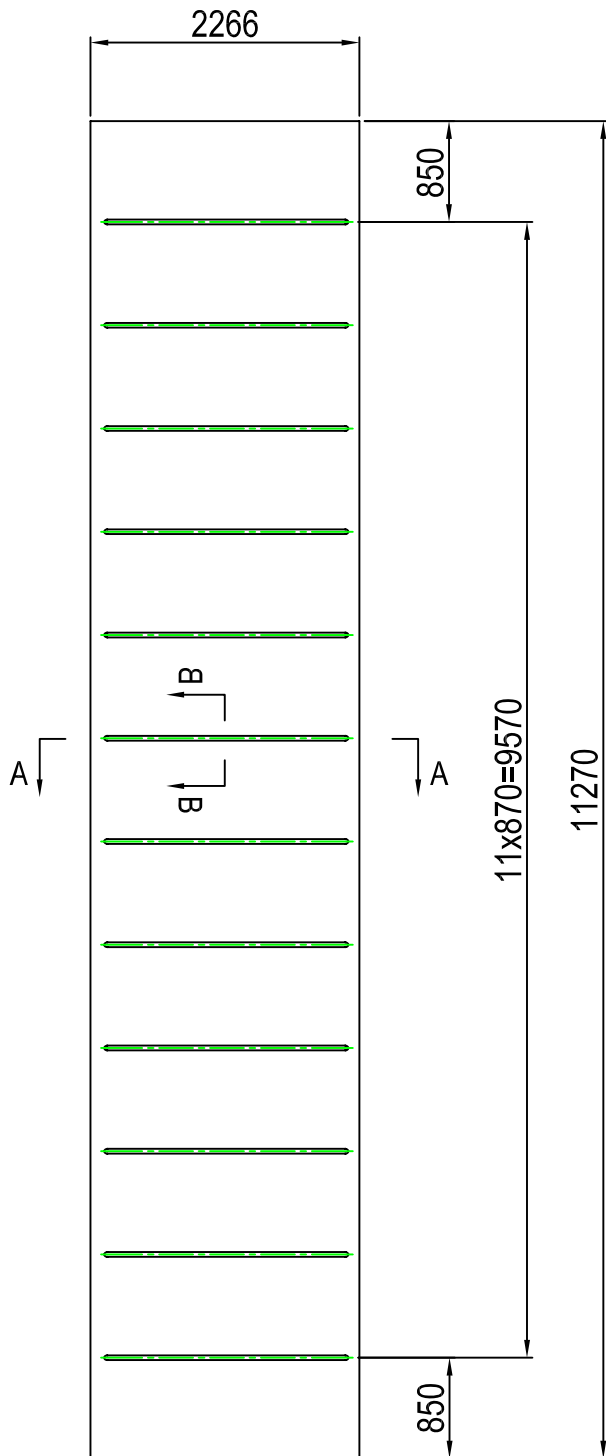
TITLE	Roof Panel 外顶板	WEIGHT	
SPEC		MATERIAL	MGSS
PART NO.	CIMC-08-001	PAGE NO.	80



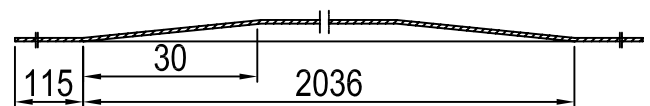
**CIMC**



Authorized Distributor:  
**Pacific Marine & Industrial**  
[www.pacificmarine.net](http://www.pacificmarine.net)  
[info@pacificmarine.net](mailto:info@pacificmarine.net)

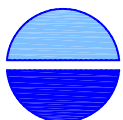


B - B



A - A

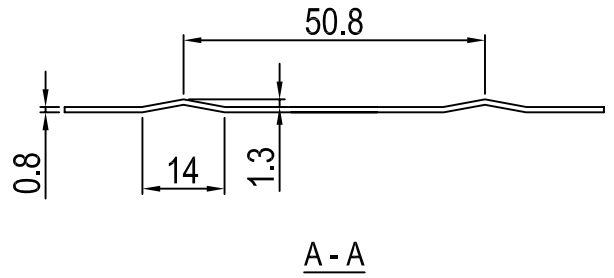
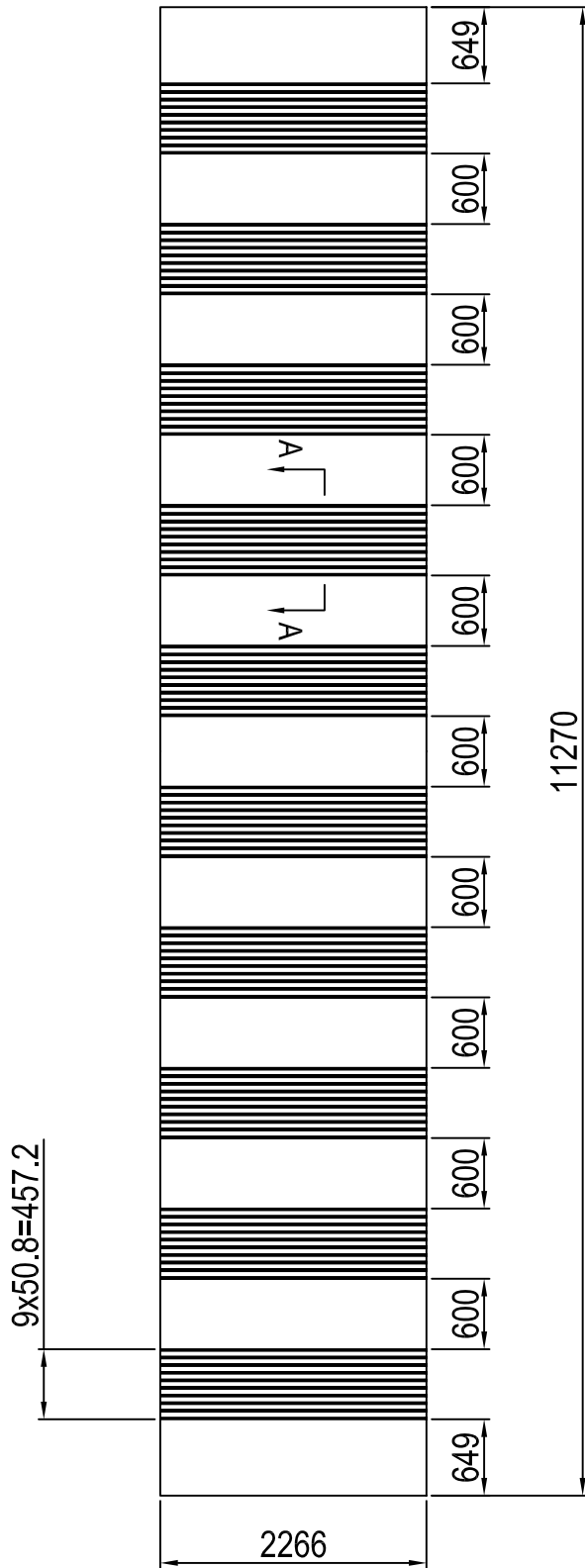
TITLE	Roof Lining 内顶板	WEIGHT	
SPEC	0.8X2266X11270	MATERIAL	5052-H46
PART NO.	CIMC-08-002	PAGE NO.	82



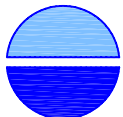
**CIMC**



Authorized Distributor:  
**Pacific Marine & Industrial**  
[www.pacificmarine.net](http://www.pacificmarine.net)  
[info@pacificmarine.net](mailto:info@pacificmarine.net)



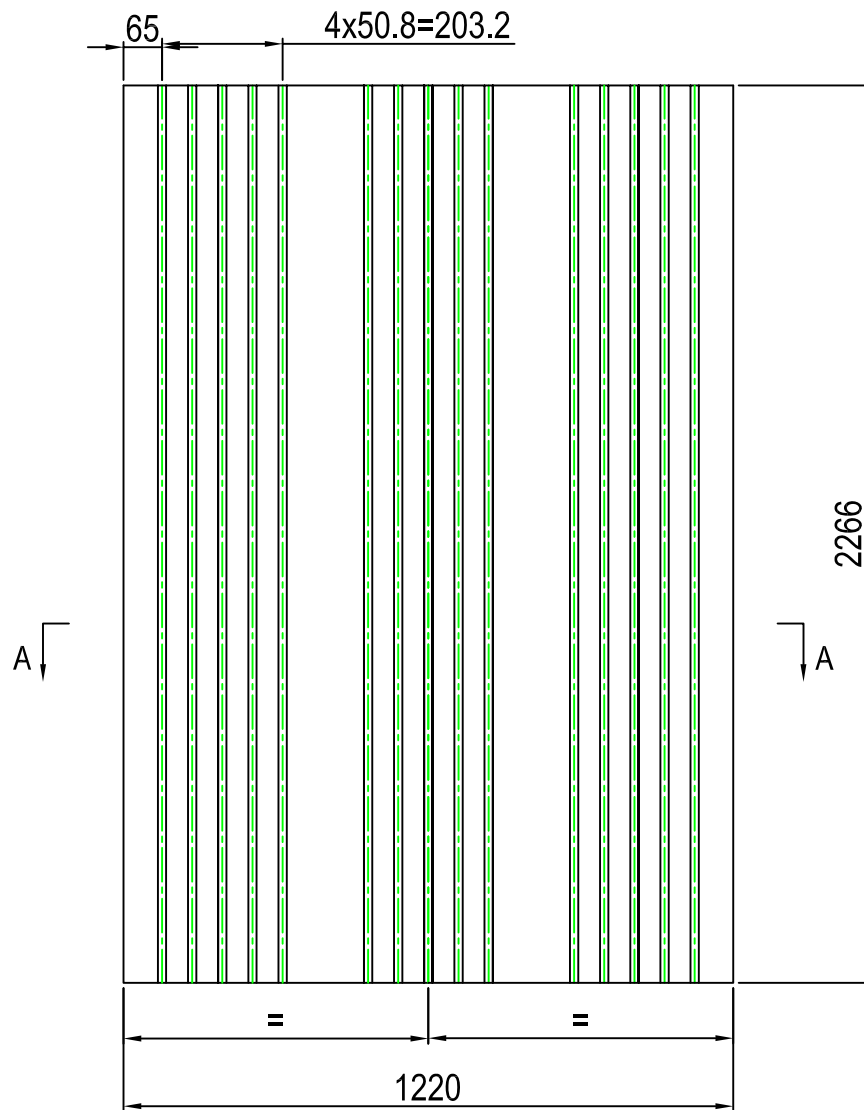
TITLE	Roof Lining 内顶板	WEIGHT	
SPEC	0.8X2266X11270	MATERIAL	5052-H46
PART NO.	CIMC-08-003	PAGE NO.	82



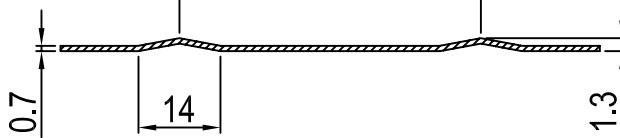
**CIMC**



Authorized Distributor:  
Pacific Marine & Industrial  
www.pacificmarine.net  
info@pacificmarine.net

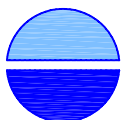


50.8



A - A

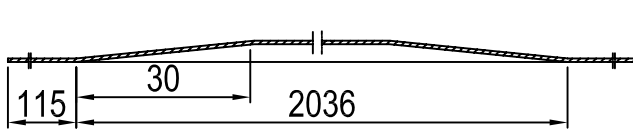
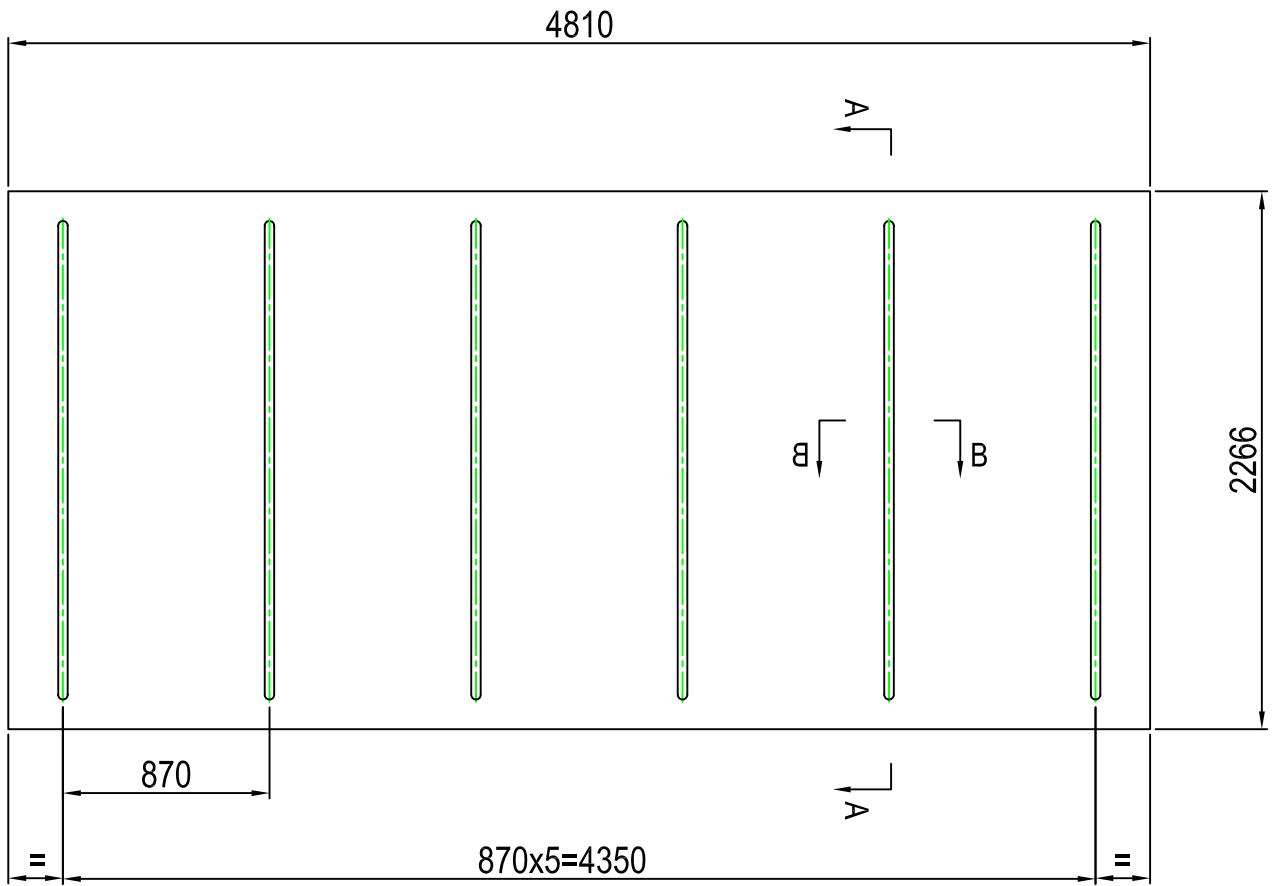
TITLE	Roof Lining 内顶板	WEIGHT	
SPEC	0.7X1220X2266	MATERIAL	SUS304
PART NO.	CIMC-08-004	PAGE NO.	83



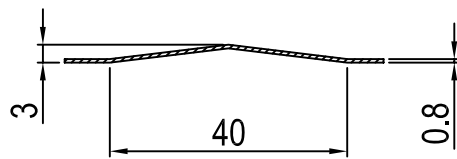
**CIMC**



Authorized Distributor:  
**Pacific Marine & Industrial**  
[www.pacificmarine.net](http://www.pacificmarine.net)  
[info@pacificmarine.net](mailto:info@pacificmarine.net)

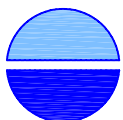


A - A



B - B

TITLE	Roof Lining 内顶板	WEIGHT	
SPEC	0.8X2266X4810	MATERIAL	5052-H46
PART NO.	CIMC-08-005	PAGE NO.	84

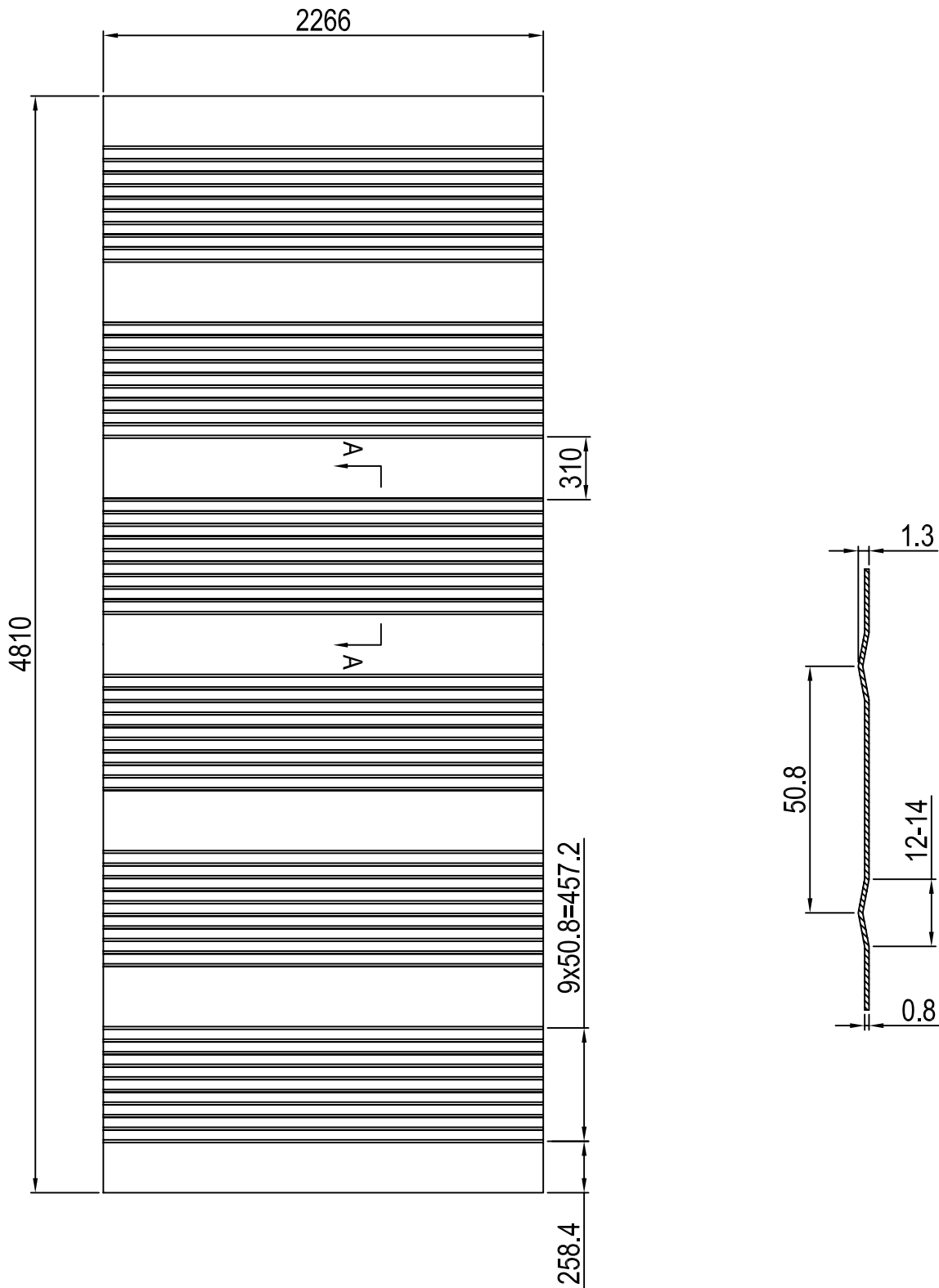


**CIMC**

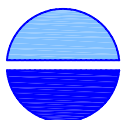


Authorized Distributor:  
 Pacific Marine & Industrial  
 www.pacificmarine.net  
 info@pacificmarine.net





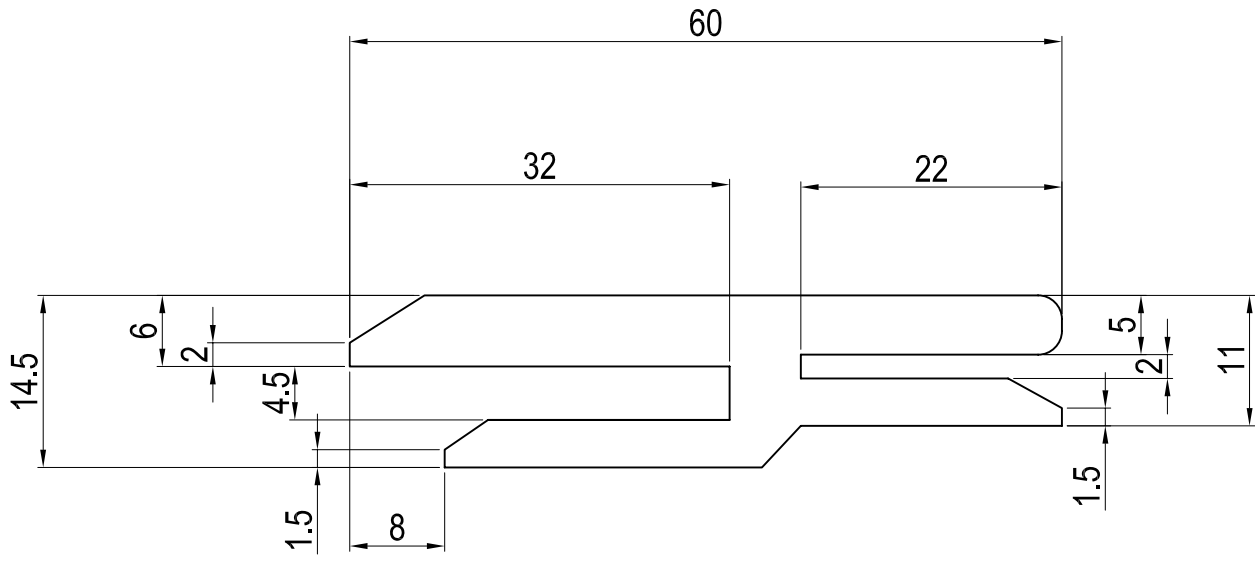
TITLE	Roof Lining 内顶板	WEIGHT	
SPEC	0.8X4810X2266	MATERIAL	5052-H46
PART NO.	CIMC-08-006	PAGE NO.	85



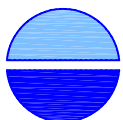
**CIMC**



Authorized Distributor:  
**Pacific Marine & Industrial**  
[www.pacificmarine.net](http://www.pacificmarine.net)  
[info@pacificmarine.net](mailto:info@pacificmarine.net)



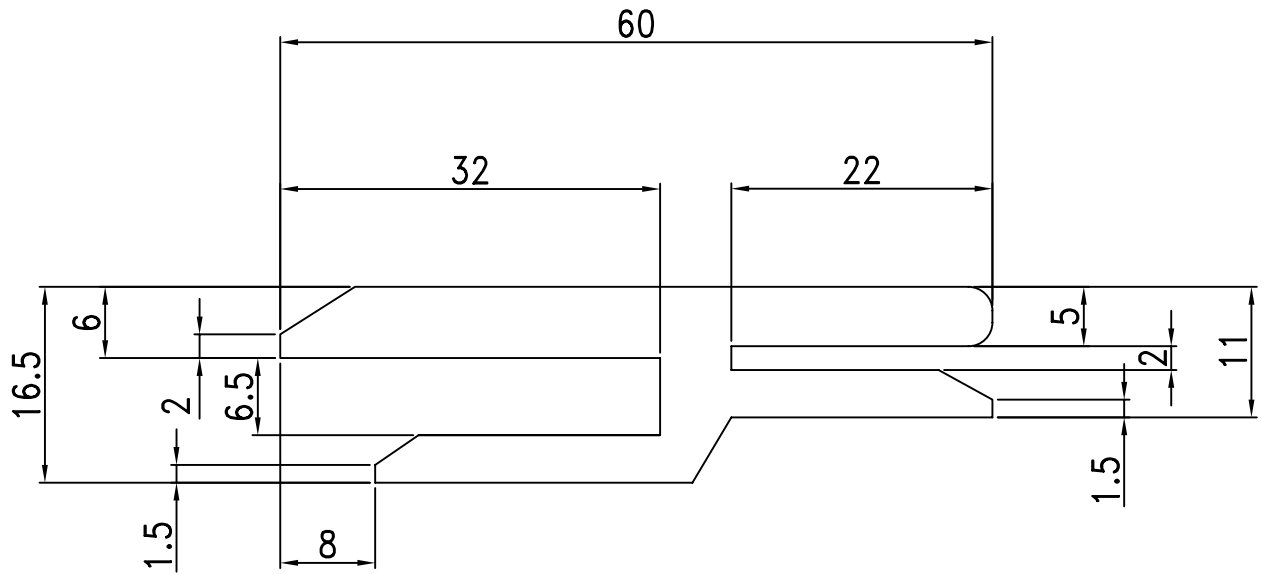
TITLE	Ledge 冷机PVC	WEIGHT	
SPEC	L = 1911mm	MATERIAL	PVC
PART NO.	CIMC-09-001	PAGE NO.	86



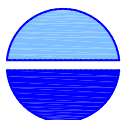
**CIMC**



Authorized Distributor:  
**Pacific Marine & Industrial**  
[www.pacificmarine.net](http://www.pacificmarine.net)  
[info@pacificmarine.net](mailto:info@pacificmarine.net)



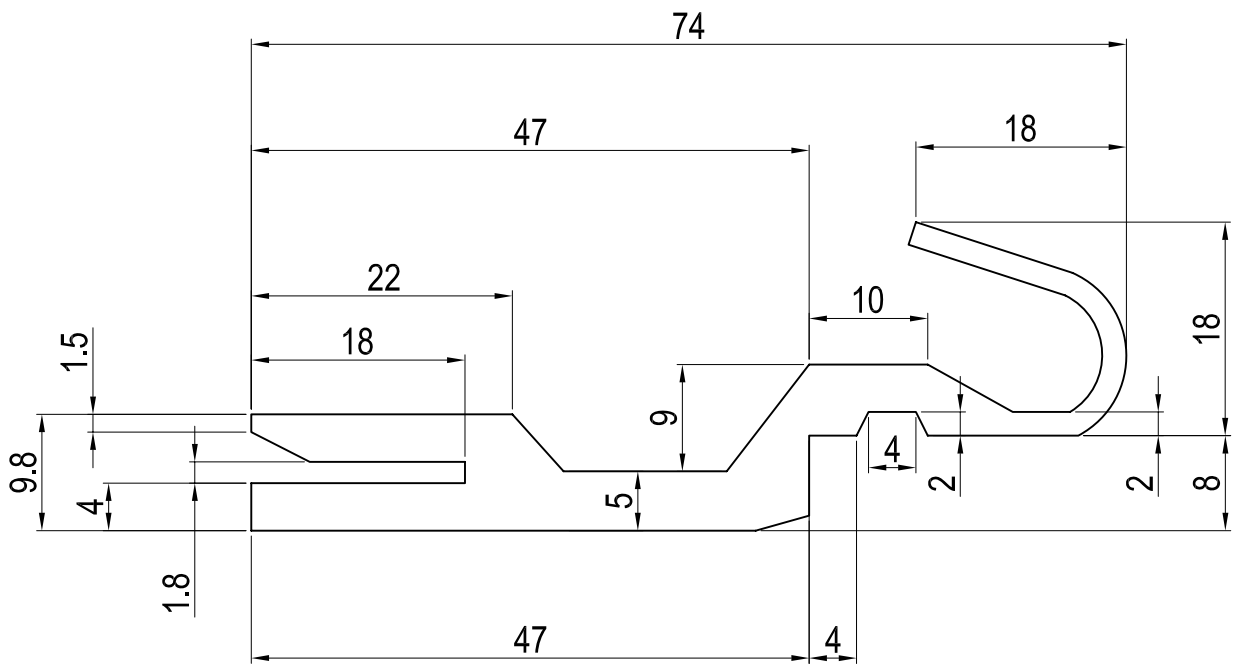
TITLE	Ledge 冷机PVC	WEIGHT	
SPEC	L=2121 mm	MATERIAL	PVC
PART NO.	CIMC-09-002	PAGE NO.	87



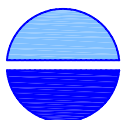
**CIMC**



Authorized Distributor:  
**Pacific Marine & Industrial**  
[www.pacificmarine.net](http://www.pacificmarine.net)  
[info@pacificmarine.net](mailto:info@pacificmarine.net)



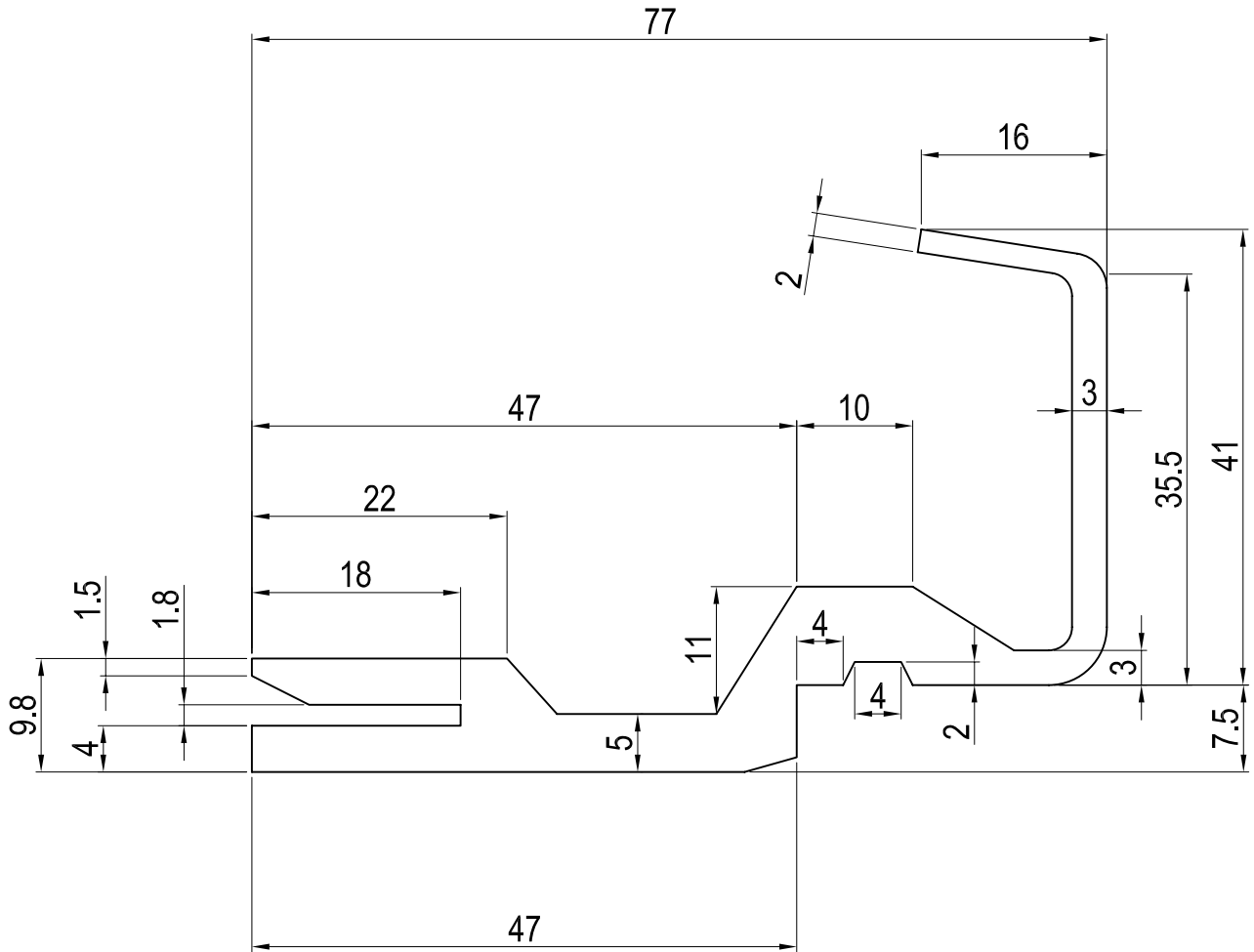
TITLE	Ledge 冷机PVC	WEIGHT	
SPEC	L=2580 mm	MATERIAL	PVC
PART NO.	CIMC-09-003	PAGE NO.	88



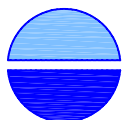
**CIMC**



Authorized Distributor:  
**Pacific Marine & Industrial**  
[www.pacificmarine.net](http://www.pacificmarine.net)  
[info@pacificmarine.net](mailto:info@pacificmarine.net)



TITLE	Ledge 冷机PVC	WEIGHT	
SPEC	L=2286 mm	MATERIAL	PVC
PART NO.	CIMC-09-004	PAGE NO.	89



**CIMC**

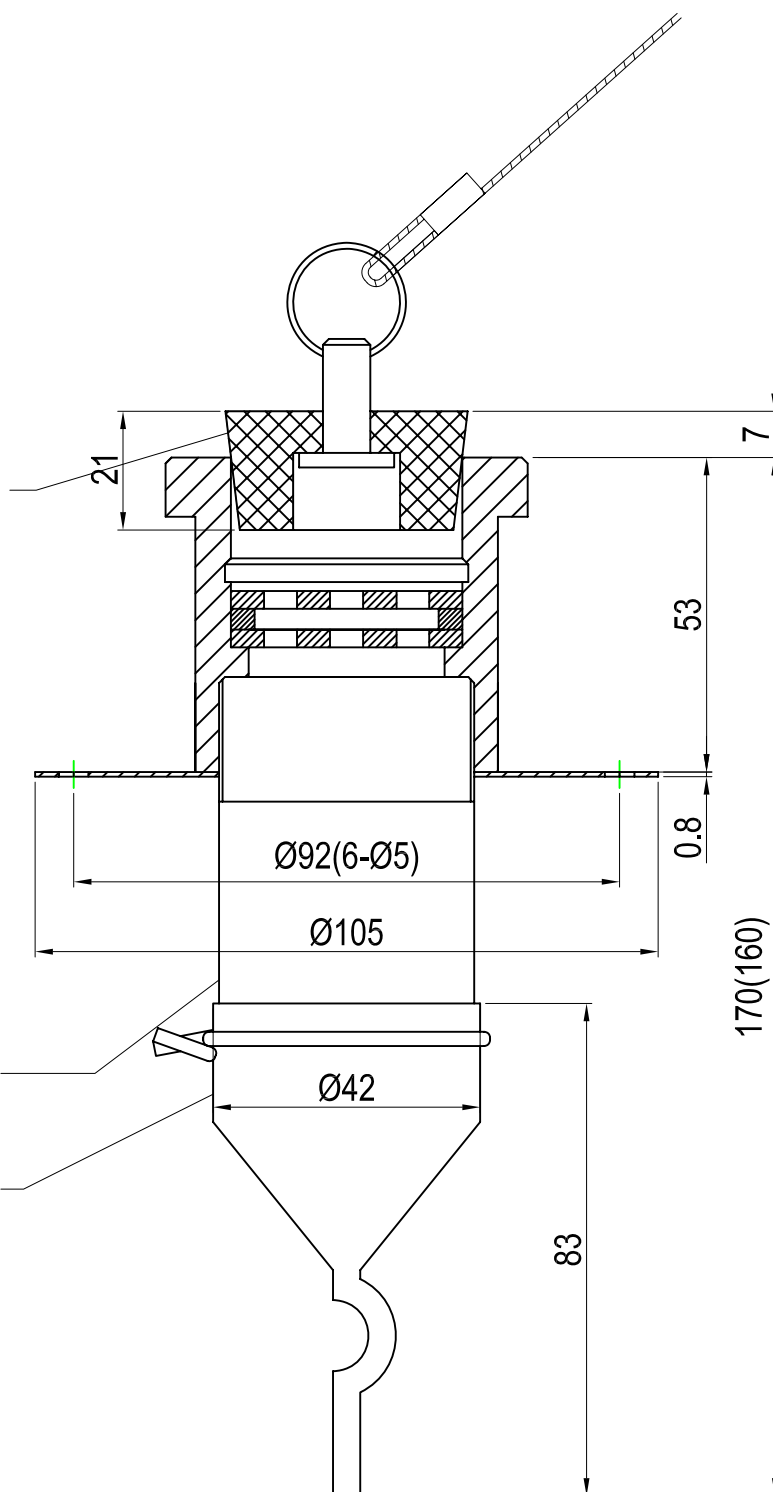


Authorized Distributor:  
**Pacific Marine & Industrial**  
[www.pacificmarine.net](http://www.pacificmarine.net)  
[info@pacificmarine.net](mailto:info@pacificmarine.net)

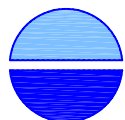
CIMC-09-006-7  
PVC Plug

CIMC-09-006-4  
PVC Pipenippel

CIMC-09-006-1  
Kazzo



TITLE	Kazzo drain 滴水器	WEIGHT	0.600KG
SPEC		MATERIAL	
PART NO.	CIMC-09-005/A	PAGE NO.	90

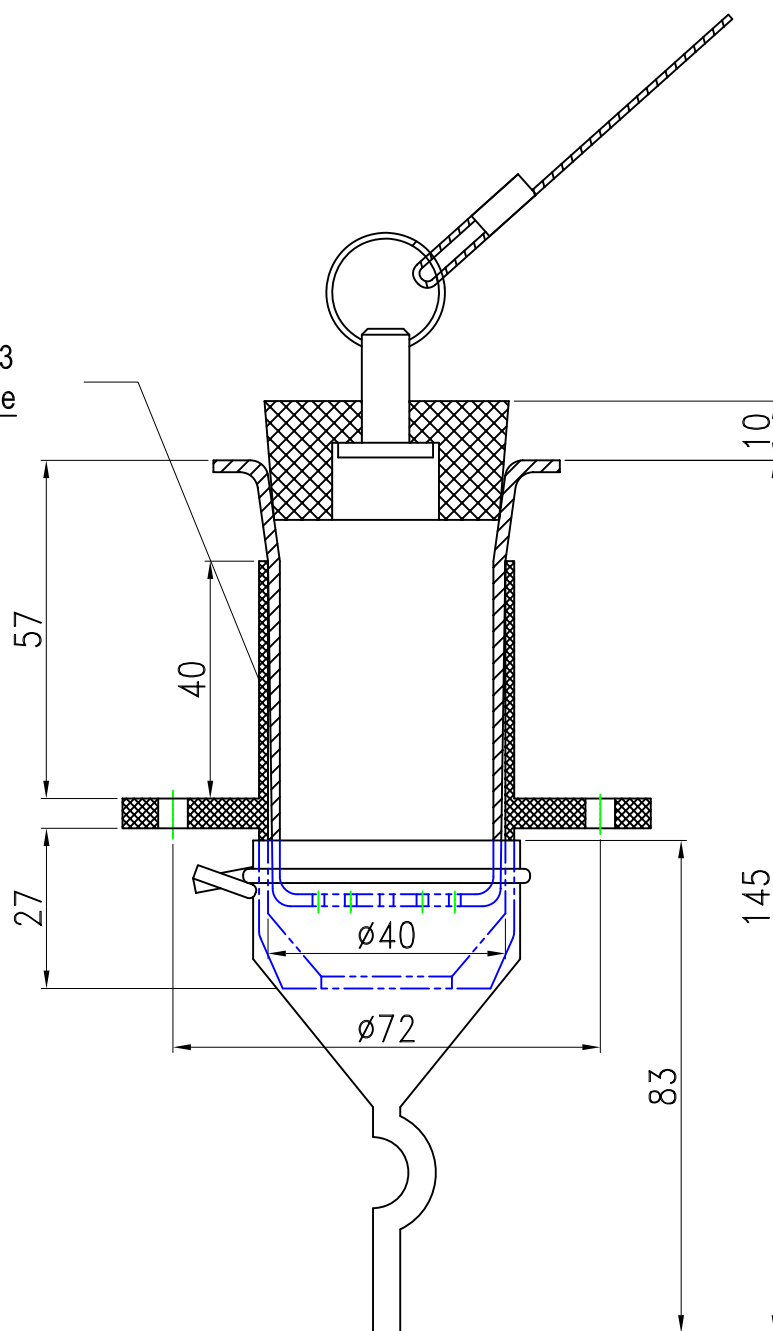


**CIMC**

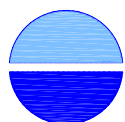


Authorized Distributor:  
Pacific Marine & Industrial  
www.pacificmarine.net  
info@pacificmarine.net

CIMC-09-006-3  
PVC Drain Pipe



TITLE	SCRC Drain 滴水器	WEIGHT	0.200KG
SPEC		MATERIAL	
PART NO.	CIMC-09-005/B1	PAGE NO.	91



**CIMC**



Authorized Distributor:  
Pacific Marine & Industrial  
www.pacificmarine.net  
info@pacificmarine.net

CIMC-09-006-6  
PVC Plugs

26

17

CIMC-09-006-5  
PVC Pipenippel

ø45

175

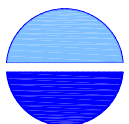
CIMC-09-006-2  
Kazzo

25

ø36

70

TITLE	Kazzo drain 滴水器	WEIGHT	0.400KG
SPEC		MATERIAL	
PART NO.	CIMC-09-005/B2	PAGE NO.	92

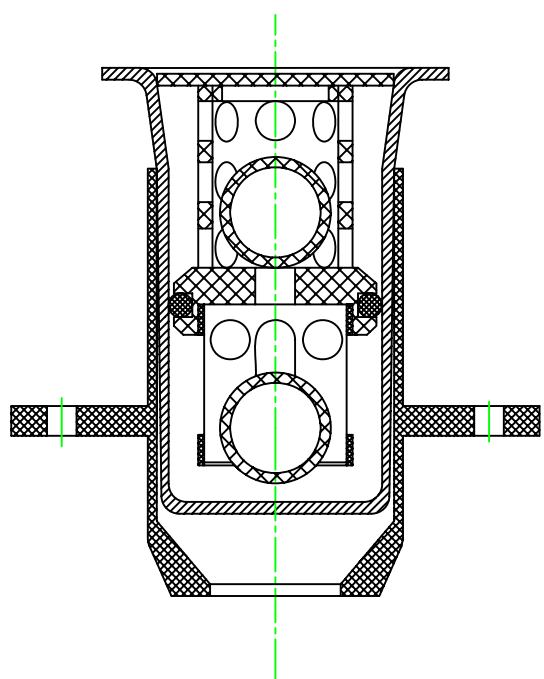


**CIMC**

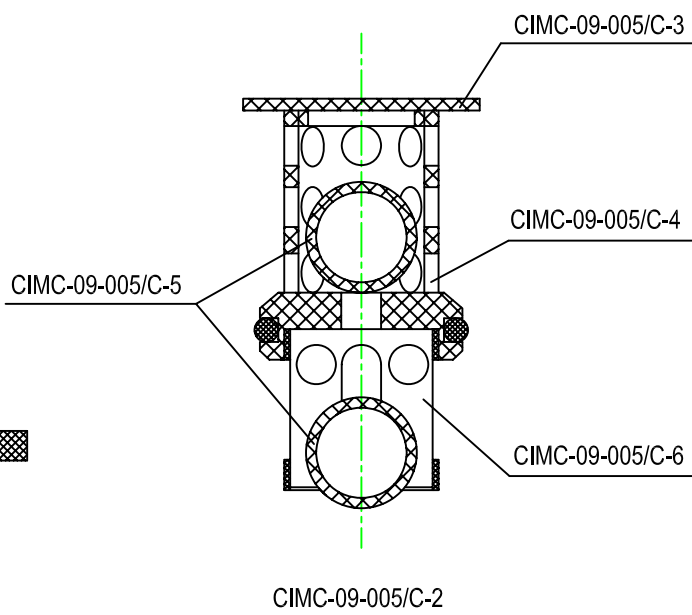
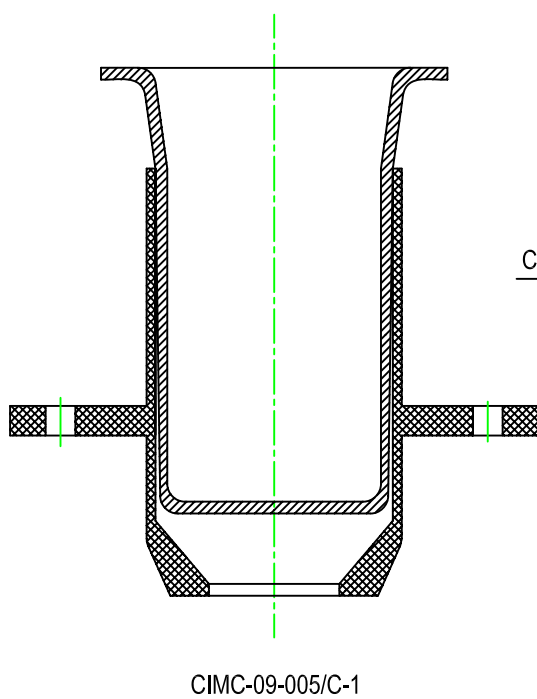


Authorized Distributor:  
Pacific Marine & Industrial  
www.pacificmarine.net  
info@pacificmarine.net

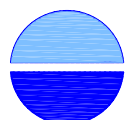




Part No.		Name	
1	CIMC-09-005/C	自动滴水器	Auto Drain
2	CIMC-09-005/C-1	铝筒	Alu tube
3	CIMC-09-005/C-2	自动滴水器中央部分	Auto Drain part
4	CIMC-09-005/C-3	自动滴水器盖	Cover
5	CIMC-09-005/C-4	自动滴水器管 (上)	Upper tube
6	CIMC-09-005/C-5	自动滴水器球	Ball
7	CIMC-09-005/C-6	自动滴水器管 (下)	Lower tube



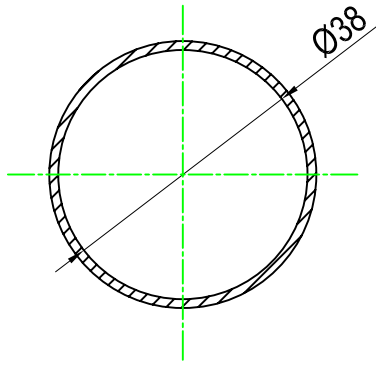
TITLE	Auto Drain 自动滴水器	WEIGHT	0.150KG
SPEC		MATERIAL	
PART NO.	CIMC-09-005/C	PAGE NO.	93



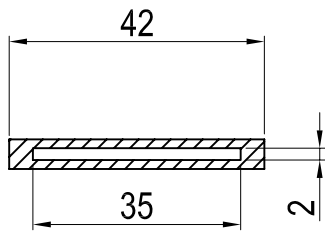
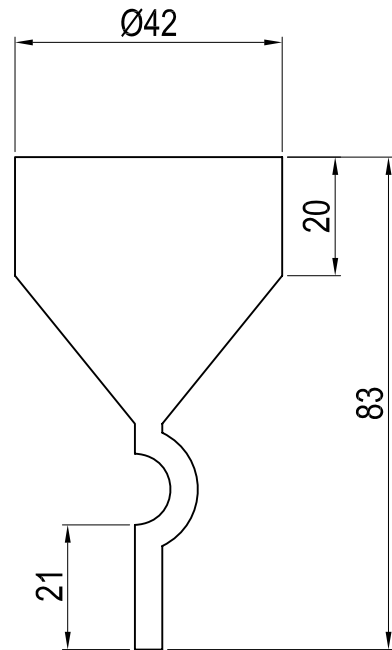
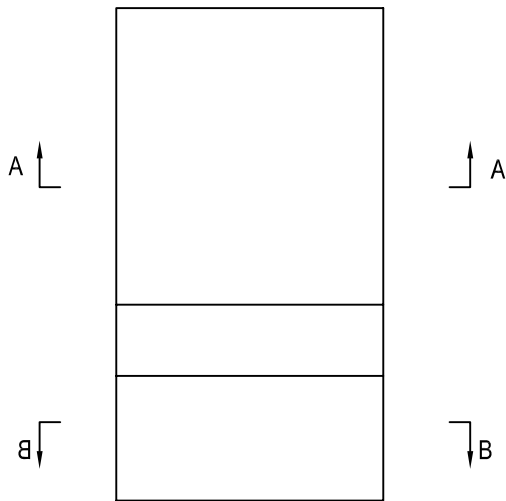
**CIMC**



Authorized Distributor:  
**Pacific Marine & Industrial**  
[www.pacificmarine.net](http://www.pacificmarine.net)  
[info@pacificmarine.net](mailto:info@pacificmarine.net)

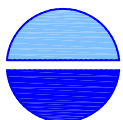


A-A



B-B

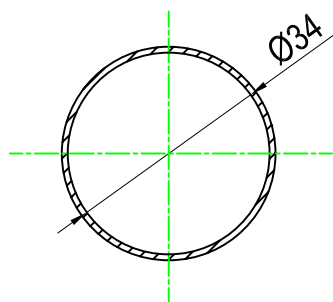
TITLE	Kazoo 滴水口	WEIGHT	0.030KG
SPEC	Ø 42	MATERIAL	EPDM
PART NO.	CIMC-09-006-1	PAGE NO.	93



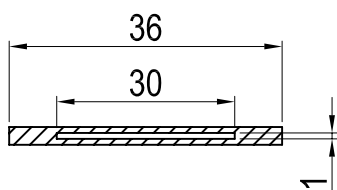
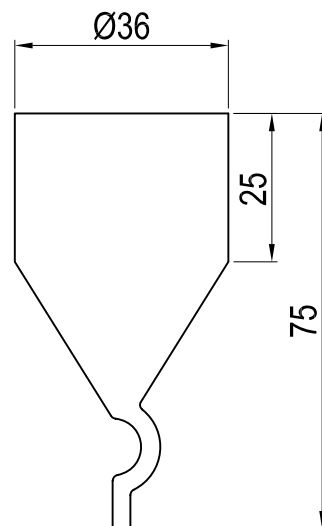
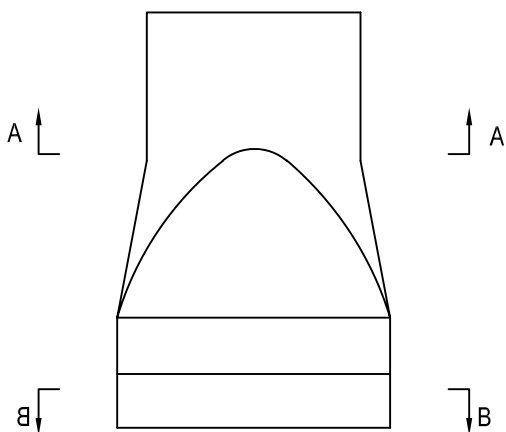
**CIMC**



Authorized Distributor:  
**Pacific Marine & Industrial**  
[www.pacificmarine.net](http://www.pacificmarine.net)  
[info@pacificmarine.net](mailto:info@pacificmarine.net)

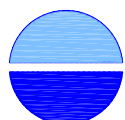


A-A



B-B

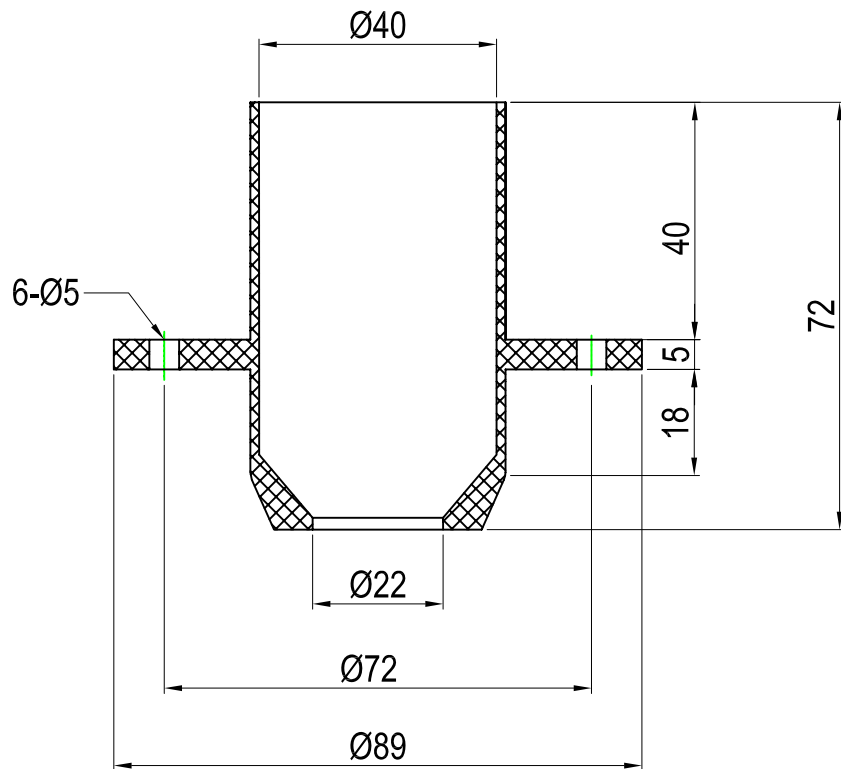
TITLE	Kazoo 滴水口	WEIGHT	0.021KG
SPEC	Ø 36	MATERIAL	EPDM
PART NO.	CIMC-09-006-2	PAGE NO.	95



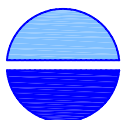
**CIMC**



Authorized Distributor:  
**Pacific Marine & Industrial**  
[www.pacificmarine.net](http://www.pacificmarine.net)  
[info@pacificmarine.net](mailto:info@pacificmarine.net)



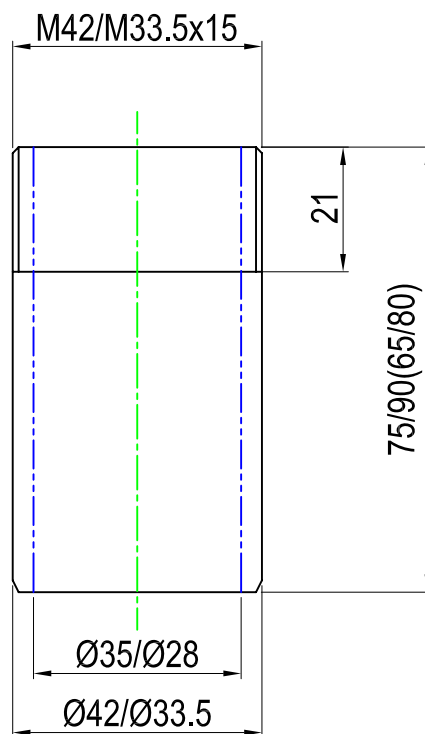
TITLE	PVC Water Flange PVC管	WEIGHT	0.045KG
SPEC		MATERIAL	PVC
PART NO.	CIMC-09-006-3	PAGE NO.	96



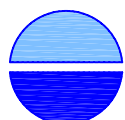
**CIMC**



Authorized Distributor:  
**Pacific Marine & Industrial**  
[www.pacificmarine.net](http://www.pacificmarine.net)  
[info@pacificmarine.net](mailto:info@pacificmarine.net)



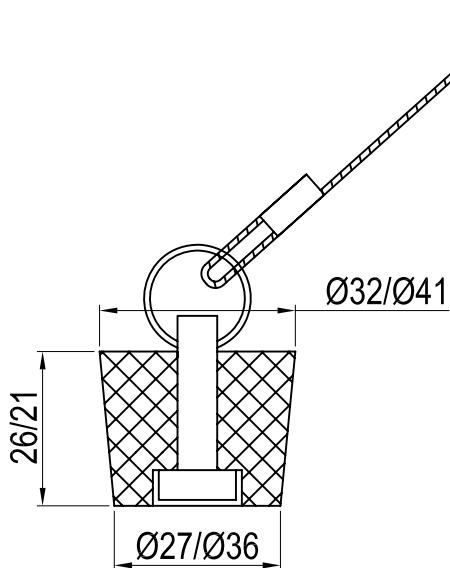
TITLE	PVC Pipenippel PVC管	WEIGHT	0.030KG
SPEC	for Kazoo Ø42	MATERIAL	PVC
PART NO.	CIMC-09-006-4/-5	PAGE NO.	97



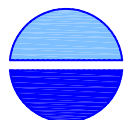
**CIMC**



Authorized Distributor:  
 Pacific Marine & Industrial  
[www.pacificmarine.net](http://www.pacificmarine.net)  
[info@pacificmarine.net](mailto:info@pacificmarine.net)



TITLE	PVC Plug f. drain 滴水器塞子	WEIGHT	0.040KG
SPEC		MATERIAL	EPDM
PART NO.	CIMC-09-006-6/-7	PAGE NO.	98



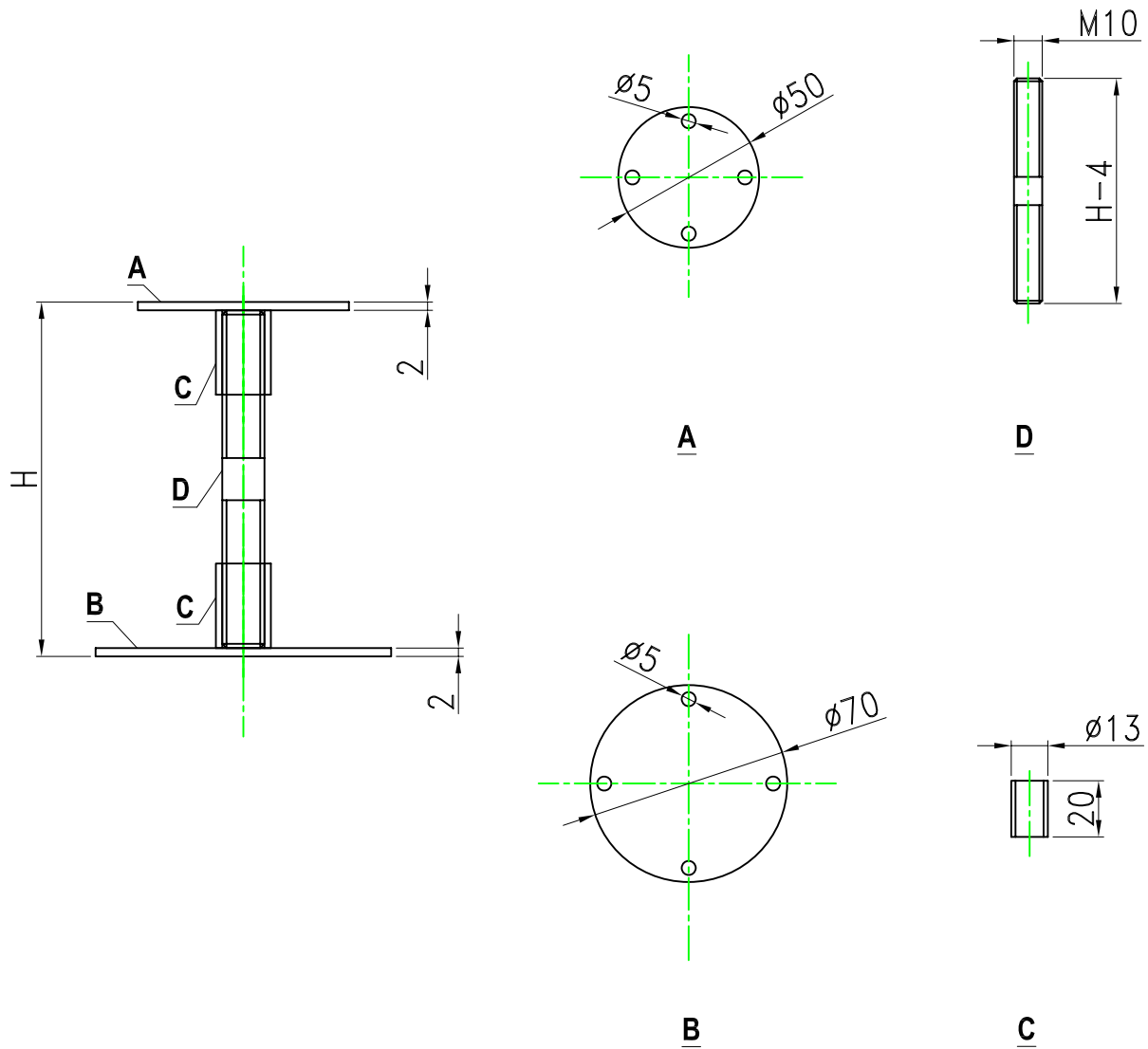
**CIMC**



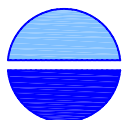
Authorized Distributor:  
**Pacific Marine & Industrial**  
[www.pacificmarine.net](http://www.pacificmarine.net)  
[info@pacificmarine.net](mailto:info@pacificmarine.net)

A	STAINLESS STEEL PLATE
B	STAINLESS STEEL PLATE
C	STAINLESS STEEL PIPE
D	NYLON ROD

PART NO.	SPECIFICATION
CIMC-09-007	H=84 & H=112mm
CIMC-09-007-1	H=110mm
CIMC-09-007-2	H=120mm



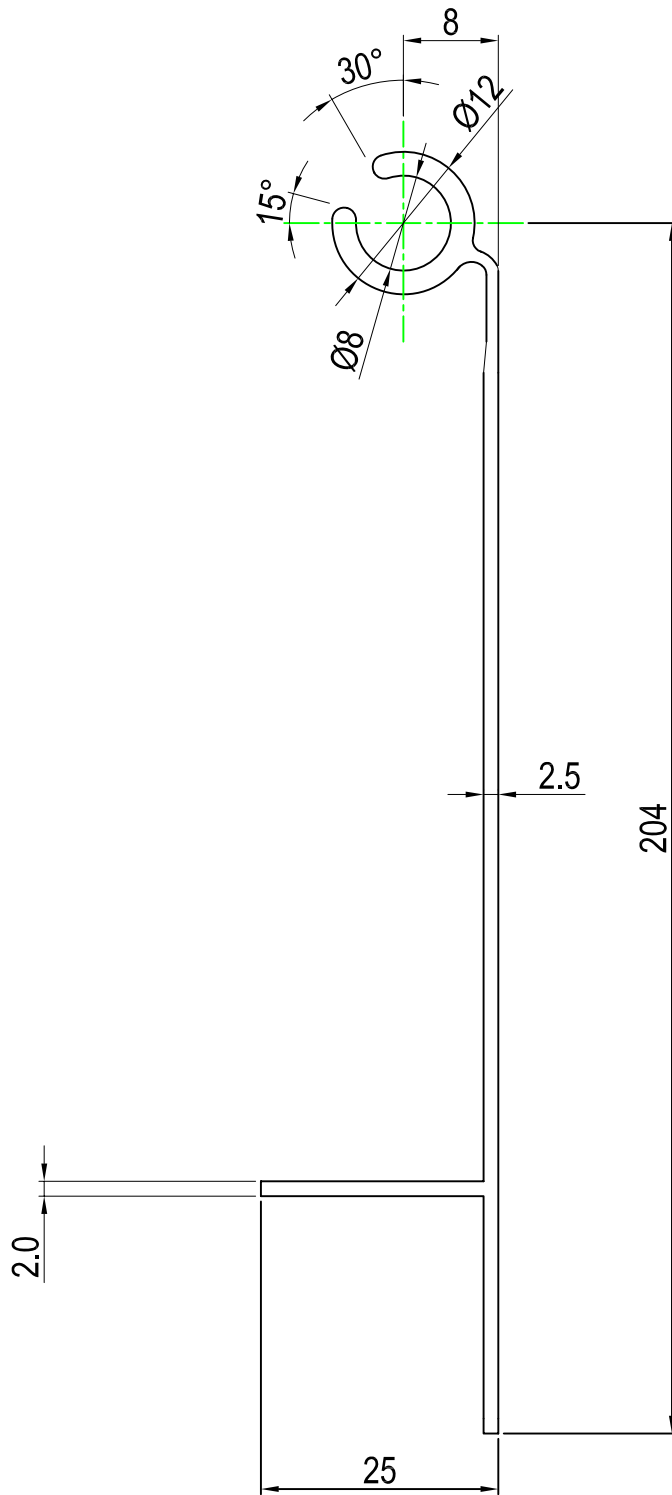
TITLE	Delamination 分层栓	WEIGHT	0.111kg
SPEC		MATERIAL	SUS304&PVC
PART NO.	CIMC-09-007	PAGE NO.	99



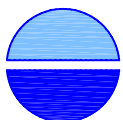
**CIMC**



Authorized Distributor:  
 Pacific Marine & Industrial  
 www.pacificmarine.net  
 info@pacificmarine.net



TITLE	Unit Side Door ( A ) 冷机门	WEIGHT	3.5KG
SPEC	L=1900mm	MATERIAL	6061-T6
PART NO.	CIMC-10-001	PAGE NO.	100

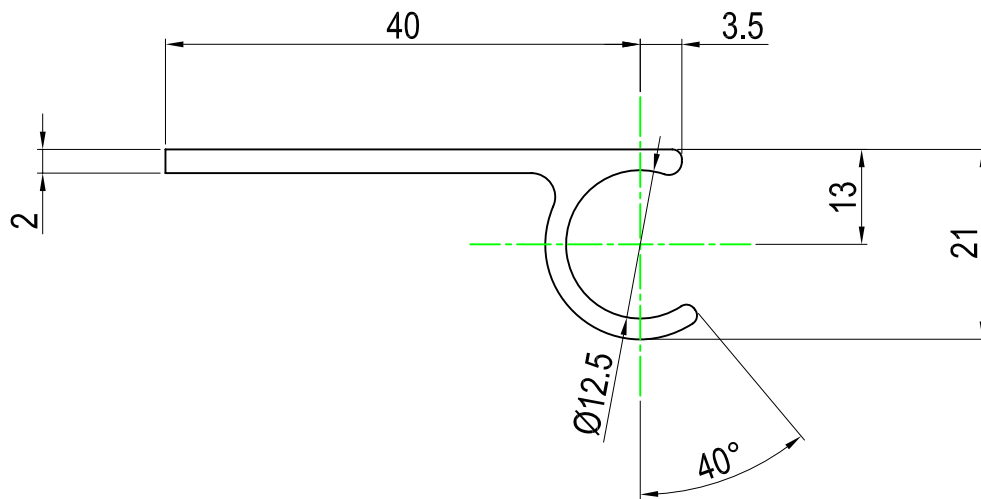


**CIMC**

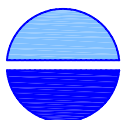


Authorized Distributor:  
**Pacific Marine & Industrial**  
[www.pacificmarine.net](http://www.pacificmarine.net)  
[info@pacificmarine.net](mailto:info@pacificmarine.net)





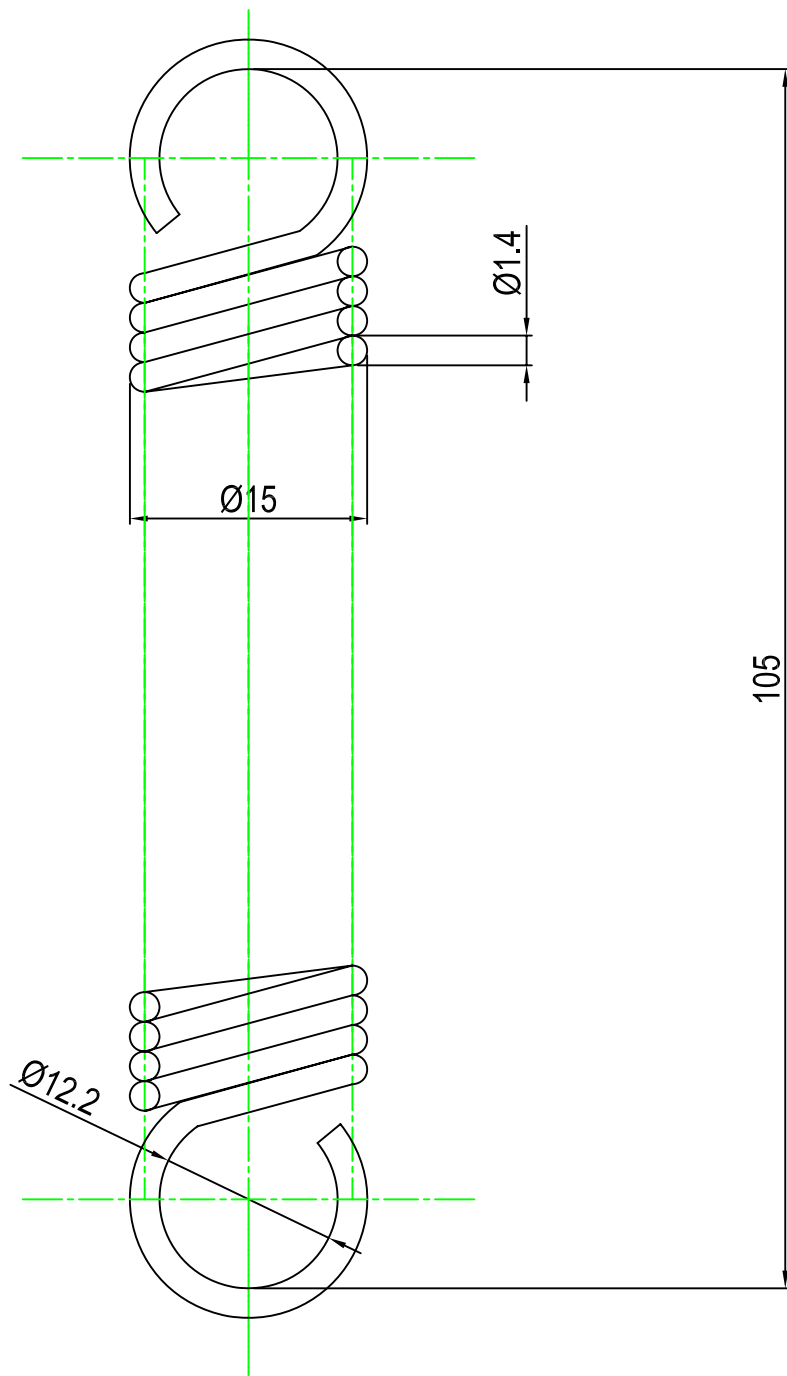
TITLE	Unit Side Door ( B ) 冷机门	WEIGHT	0.7kg
SPEC	L=1888mm	MATERIAL	6061-T6
PART NO.	CIMC-10-002	PAGE NO.	101



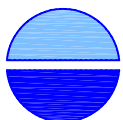
**CIMC**



Authorized Distributor:  
**Pacific Marine & Industrial**  
[www.pacificmarine.net](http://www.pacificmarine.net)  
[info@pacificmarine.net](mailto:info@pacificmarine.net)



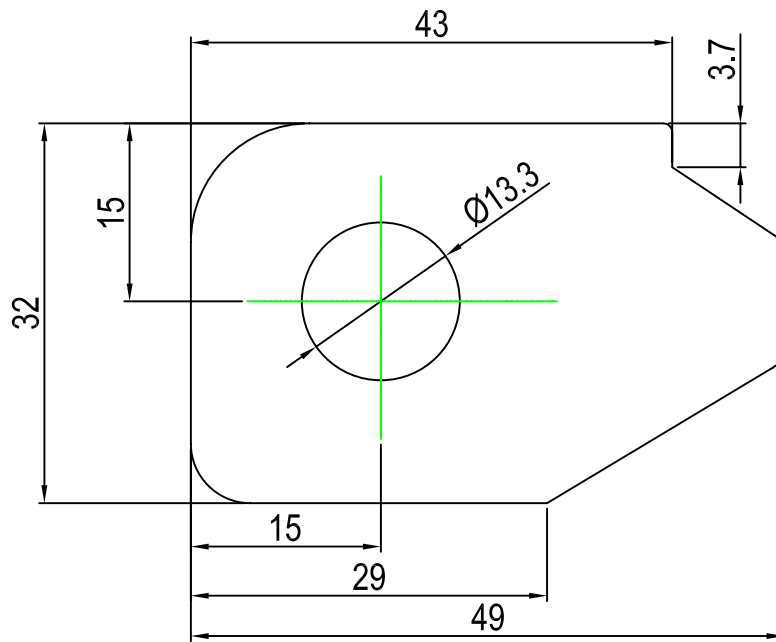
TITLE	Tension Spring 弹簧	WEIGHT	0.075KG
SPEC		MATERIAL	SUS304
PART NO.	CIMC-10-003	PAGE NO.	102



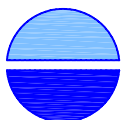
**CIMC**



Authorized Distributor:  
**Pacific Marine & Industrial**  
[www.pacificmarine.net](http://www.pacificmarine.net)  
[info@pacificmarine.net](mailto:info@pacificmarine.net)



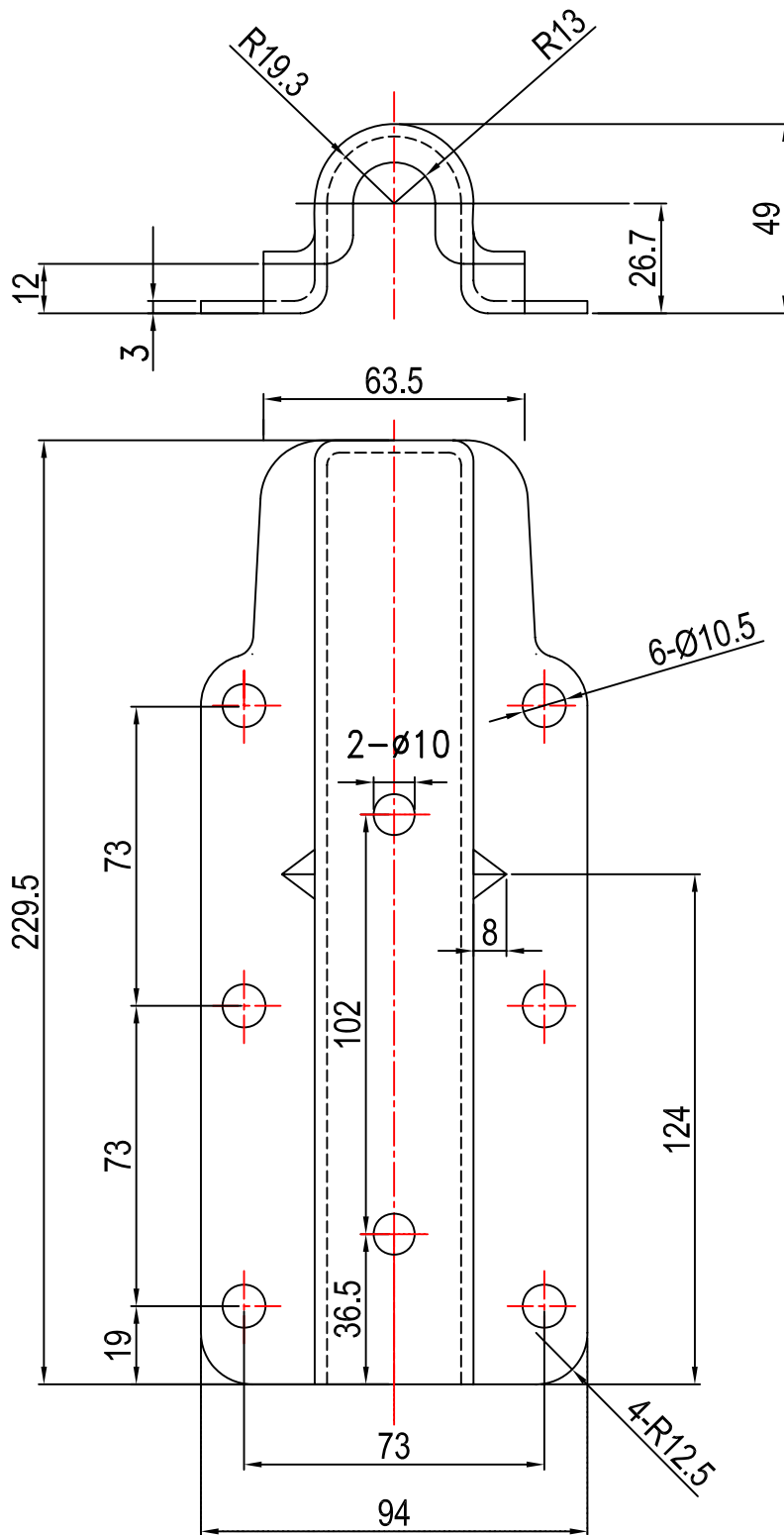
TITLE	Hinge Lug 门耳朵	WEIGHT	0.074KG
SPEC		MATERIAL	MGSS
PART NO.	CIMC-10-004	PAGE NO.	103



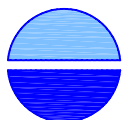
**CIMC**



Authorized Distributor:  
**Pacific Marine & Industrial**  
[www.pacificmarine.net](http://www.pacificmarine.net)  
[info@pacificmarine.net](mailto:info@pacificmarine.net)



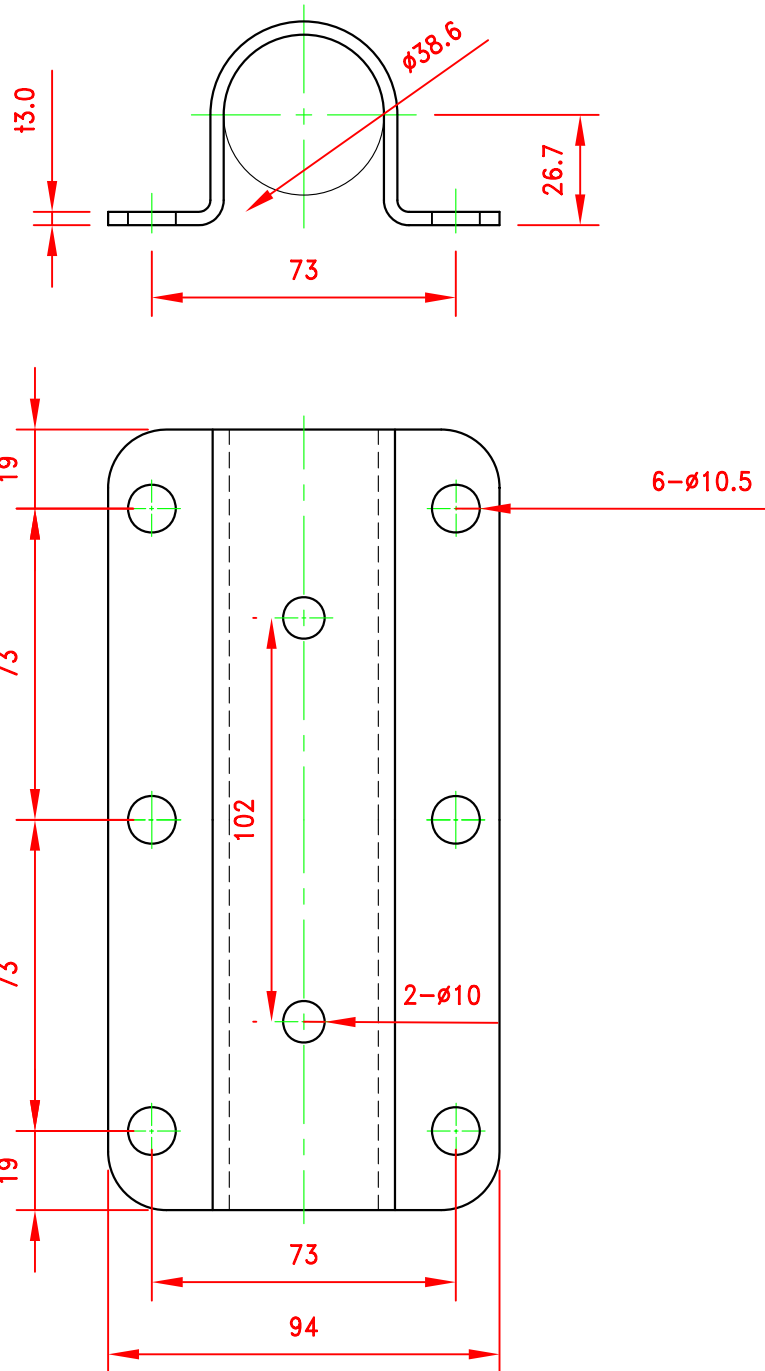
TITLE	Bearing Bracket Outer L 冷箱大托架外	WEIGHT	
SPEC		MATERIAL	SS41
PART NO.	CIMC-10-005	PAGE NO.	104



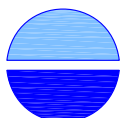
**CIMC**



Authorized Distributor:  
**Pacific Marine & Industrial**  
[www.pacificmarine.net](http://www.pacificmarine.net)  
[info@pacificmarine.net](mailto:info@pacificmarine.net)



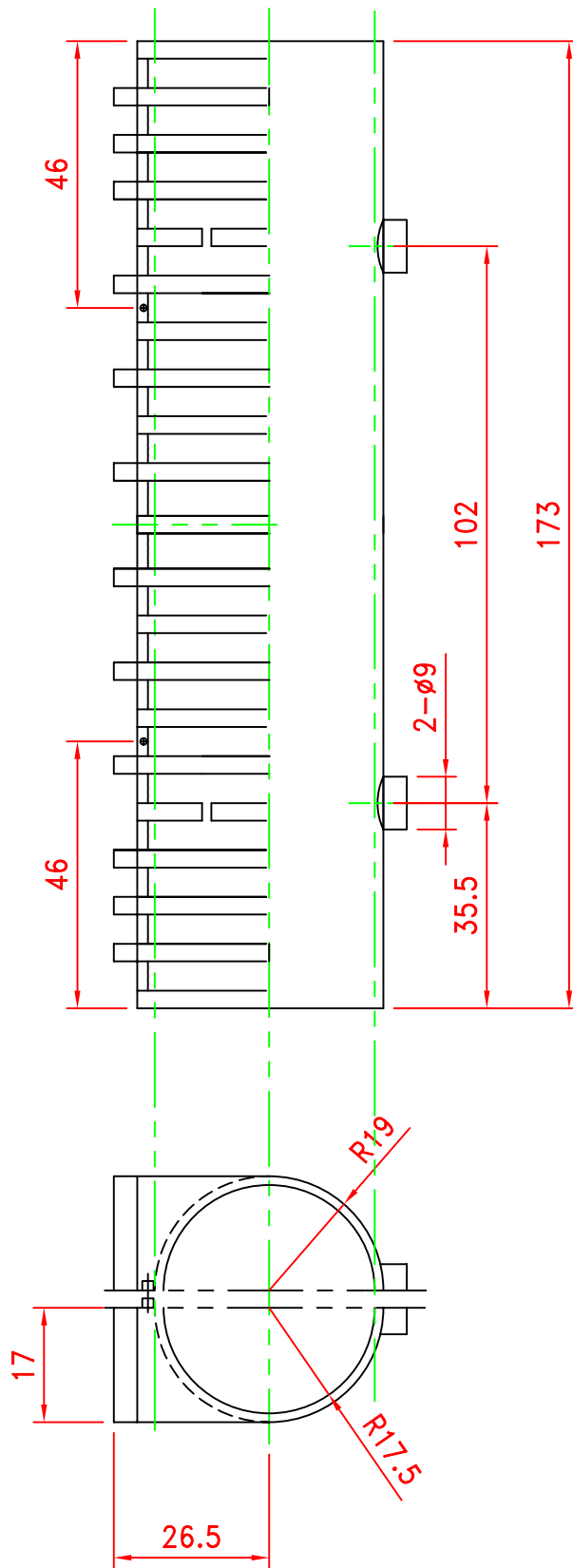
TITLE	Bearing Bracket Outer L 冷箱大托架外	WEIGHT	
MODEL		MATERIAL	
PART NO.	CIMC-10-005-1	UNIT	mm
		PAGE NO.	105



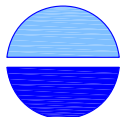
**CIMC**



Authorized Distributor:  
 Pacific Marine & Industrial  
 www.pacificmarine.net  
 info@pacificmarine.net



TITLE	冷箱大衬套 Large Split Bush For Reefer	WEIGHT	
MODEL		MATERIAL	
PART NO.	CIMC-10-006	UNIT	mm
		PAGE NO.	106

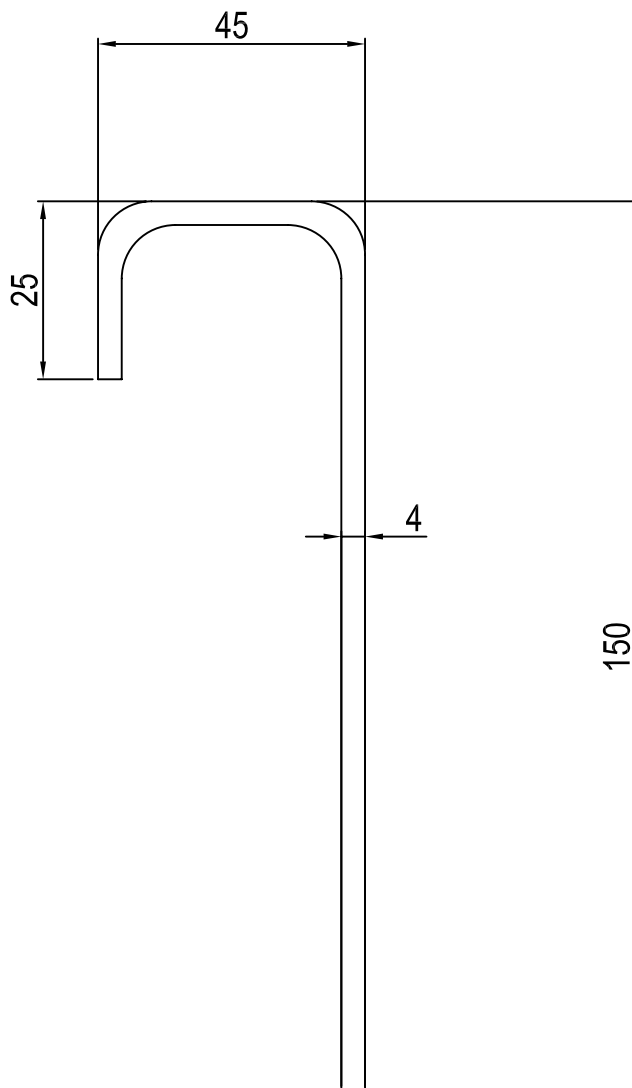


**CIMC**

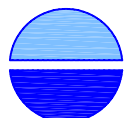


Authorized Distributor:  
 Pacific Marine & Industrial  
[www.pacificmarine.net](http://www.pacificmarine.net)  
[info@pacificmarine.net](mailto:info@pacificmarine.net)

Type	Param	Spec
1	L	5700
2	L	11834



TITLE	Top Side Rail 顶侧梁	WEIGHT	
SPEC		MATERIAL	CORTEN
PART NO.	CIMC-11-001	PAGE NO.	107

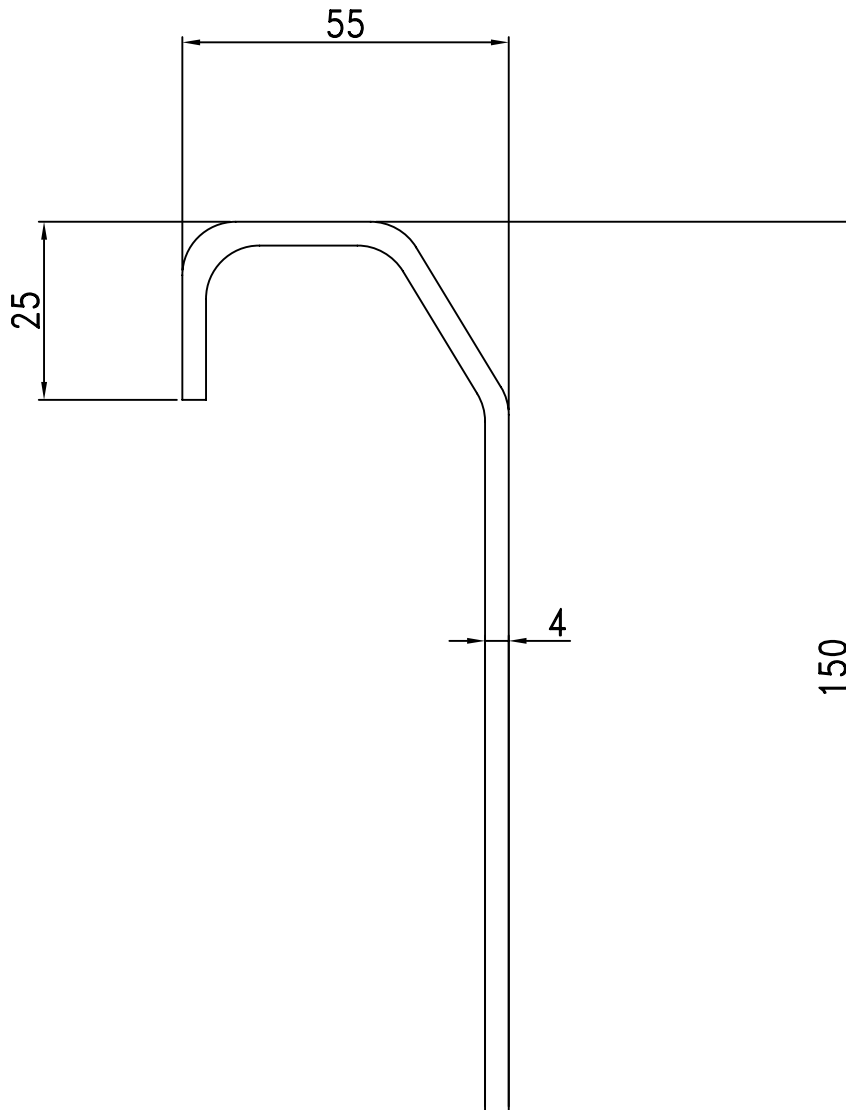


**CIMC**

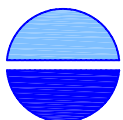


Authorized Distributor:  
**Pacific Marine & Industrial**  
[www.pacificmarine.net](http://www.pacificmarine.net)  
[info@pacificmarine.net](mailto:info@pacificmarine.net)

Type	Param	Spec
1	L	5700
2	L	11834



TITLE	Top Side Rail 顶侧梁	WEIGHT	
SPEC		MATERIAL	CORTEN
PART NO.	CIMC-11-002	PAGE NO.	108

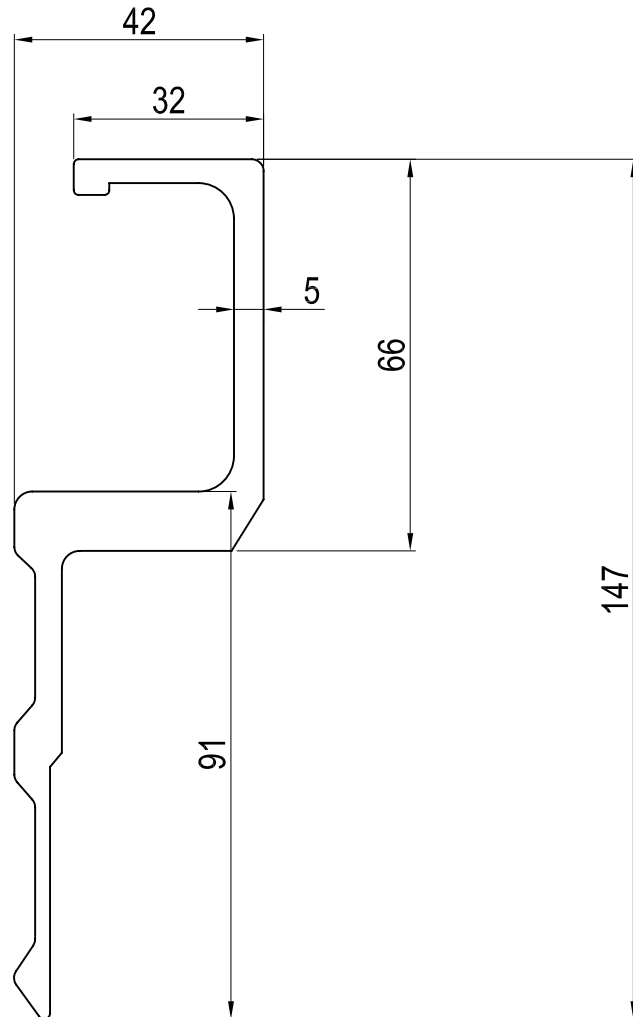


**CIMC**

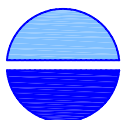


Authorized Distributor:  
**Pacific Marine & Industrial**  
[www.pacificmarine.net](http://www.pacificmarine.net)  
[info@pacificmarine.net](mailto:info@pacificmarine.net)





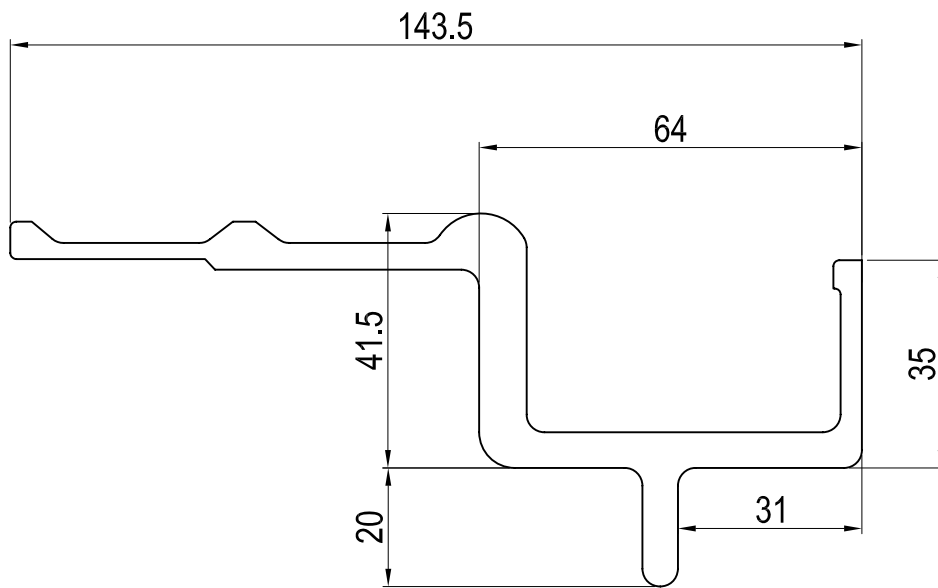
TITLE	Top Side Rail 顶侧梁	WEIGHT	19.5kgs
SPEC	L=5702mm	MATERIAL	6061-T6
PART NO.	CIMC-11-004	PAGE NO.	109



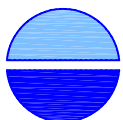
**CIMC**



Authorized Distributor:  
**Pacific Marine & Industrial**  
[www.pacificmarine.net](http://www.pacificmarine.net)  
[info@pacificmarine.net](mailto:info@pacificmarine.net)



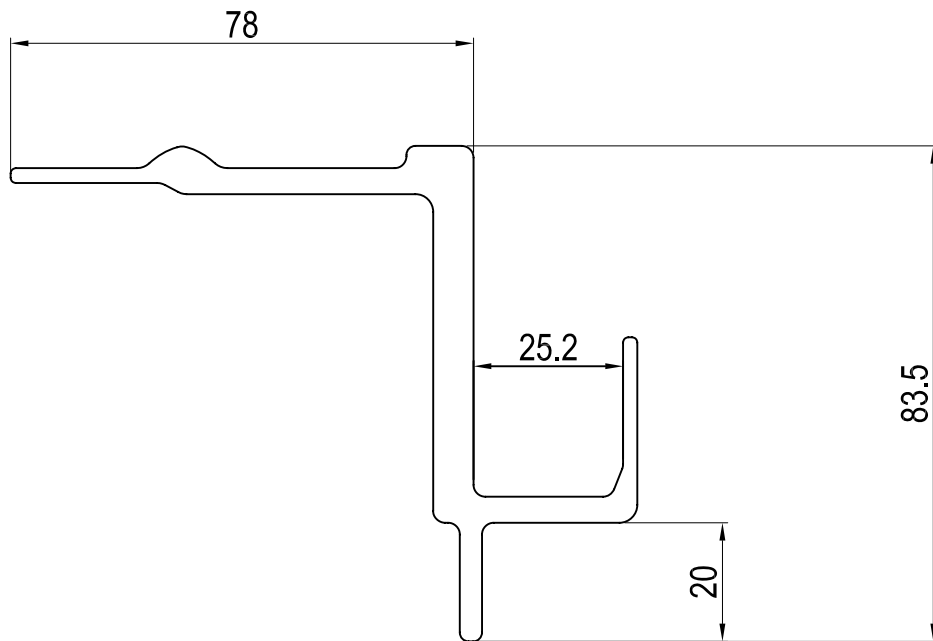
TITLE	Top Side Rail 顶侧梁	WEIGHT	20.2991kgs
SPEC	L=5702 mm	MATERIAL	6061-T6
PART NO.	CIMC-11-007	PAGE NO.	110



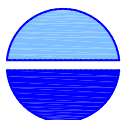
**CIMC**



Authorized Distributor:  
**Pacific Marine & Industrial**  
[www.pacificmarine.net](http://www.pacificmarine.net)  
[info@pacificmarine.net](mailto:info@pacificmarine.net)



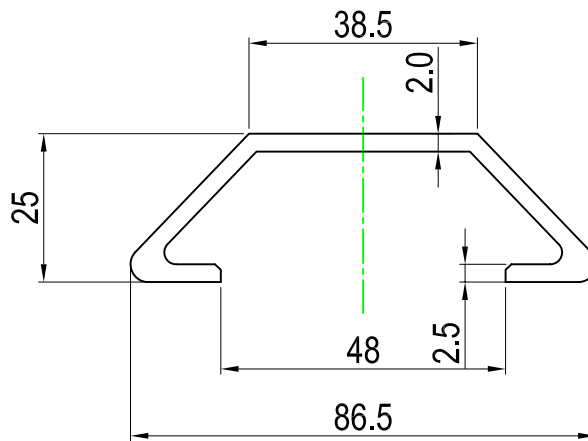
TITLE	Top Side Rail 顶侧梁	WEIGHT	16.821
SPEC	L=5702mm, H=83.5	MATERIAL	6061-T6
PART NO.	CIMC-11-008	PAGE NO.	111



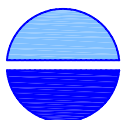
**CIMC**



Authorized Distributor:  
**Pacific Marine & Industrial**  
[www.pacificmarine.net](http://www.pacificmarine.net)  
[info@pacificmarine.net](mailto:info@pacificmarine.net)



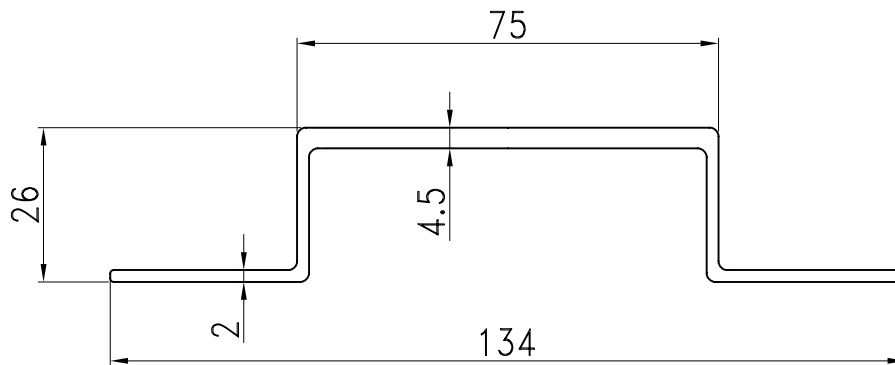
TITLE	Roof Bow 内顶梁	WEIGHT	2.068kgs
SPEC	L=2345mm	MATERIAL	6061-T6
PART NO.	CIMC-11-009	PAGE NO.	112



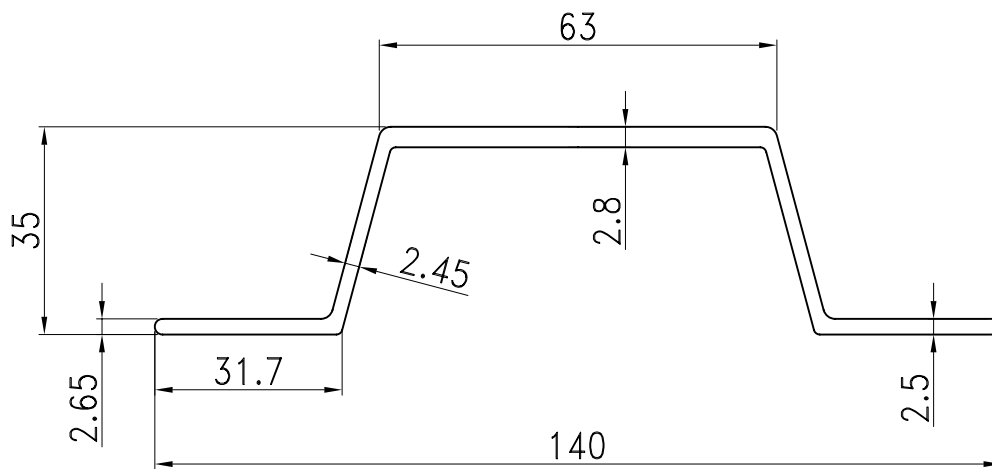
**CIMC**



Authorized Distributor:  
**Pacific Marine & Industrial**  
[www.pacificmarine.net](http://www.pacificmarine.net)  
[info@pacificmarine.net](mailto:info@pacificmarine.net)

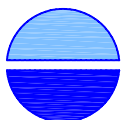


CIMC-11-010-1 Side Post Inner



CIMC-11-010-2 Side Post Outer

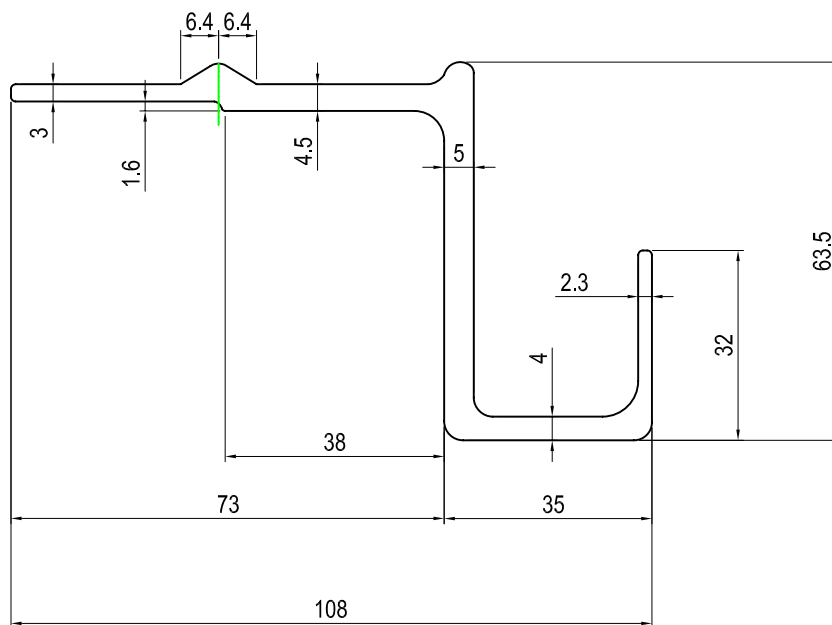
TITLE	Side Post Inner / Outer 内、外角柱	WEIGHT	
SPEC	L=2780mm	MATERIAL	6061-T6
PART NO.	CIMC-11-010	PAGE NO.	113



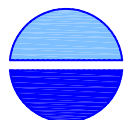
**CIMC**



Authorized Distributor:  
Pacific Marine & Industrial  
www.pacificmarine.net  
info@pacificmarine.net



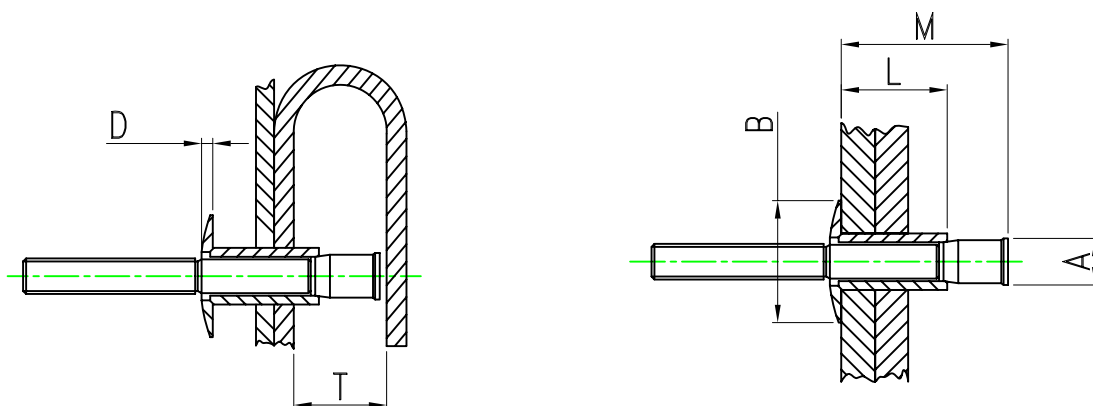
TITLE	Top Side Rail 顶侧梁	WEIGHT	11.518kgs
SPEC	L=5702 mm	MATERIAL	6061-T6
PART NO.	CIMC-11-012	PAGE NO.	114



**CIMC**

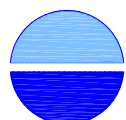


Authorized Distributor:  
**Pacific Marine & Industrial**  
[www.pacificmarine.net](http://www.pacificmarine.net)  
[info@pacificmarine.net](mailto:info@pacificmarine.net)



Code No.	Spec	Inches				Millimetres			
		A	B	D	T	A	B	D	T
CIMC-12-001A	2711-0613	0.1895	0.395	0.073	0.410	4.81	10.03	1.85	10.41
		0.1870	0.375	0.067		4.75	9.52	1.70	
CIMC-12-001B	2711-0617	0.1895	0.395	0.073	0.530	4.81	10.03	1.85	13.46
		0.1870	0.375	0.067		4.75	9.52	1.70	
CIMC-12-001C	2711-0817	0.2560	0.525	0.104	0.480	6.50	13.33	2.64	12.19
		0.2540	0.505	0.096		6.45	12.83	2.44	
CIMC-12-001D	2711-0824	0.2560	0.525	0.104	0.710	6.50	13.33	2.64	18.03
		0.2540	0.505	0.096		6.45	12.83	2.44	
		L		M		L		M	
CIMC-12-001A	2711-0613	0.411		0.716		10.44		18.19	
		0.401				10.19			
CIMC-12-001B	2711-0617	0.536		0.962		13.61		24.44	
		0.526				13.36			
CIMC-12-001C	2711-0817	0.556		0.933		14.12		23.70	
		0.544				13.82			
CIMC-12-001D	2711-0824	0.756		1.366		19.20		34.70	
		0.744				18.90			

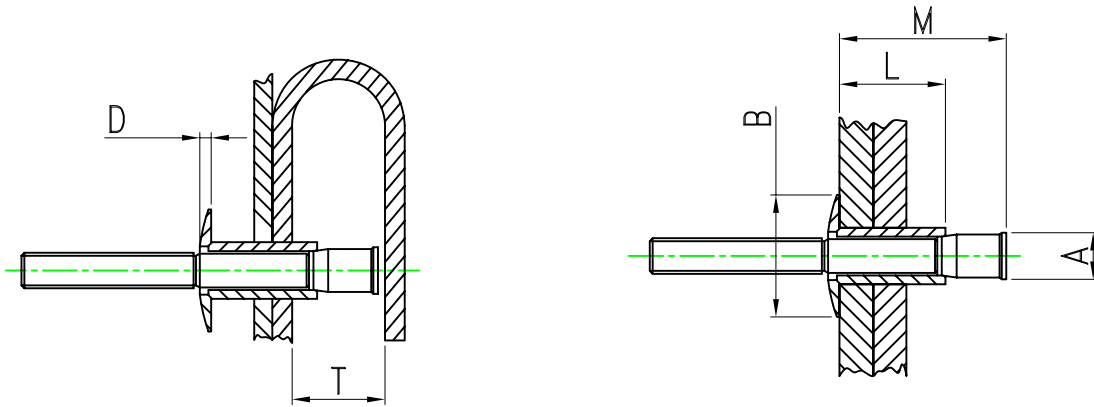
TITLE	Monobolt 防水铆钉	WEIGHT	
SPEC		MATERIAL	Stainless Steel
PART NO.	CIMC-12-001	PAGE NO.	115



**CIMC**

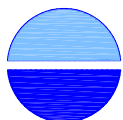


Authorized Distributor:  
**Pacific Marine & Industrial**  
[www.pacificmarine.net](http://www.pacificmarine.net)  
[info@pacificmarine.net](mailto:info@pacificmarine.net)



Code No.	Spec	Inches				Millimetres			
		A	B	D	T	A	B	D	T
CIMC-12-002A	2774-0613	0.1895	0.395	0.073	0.410	4.81	10.03	1.85	10.41
		0.1870	0.375	0.067		4.75	9.52	1.70	
CIMC-12-002B	2774-0617	0.1895	0.395	0.073	0.510	4.81	10.03	1.85	12.95
		0.1870	0.375	0.067		4.75	9.52	1.70	
CIMC-12-002C	2774-0817	0.2560	0.525	0.104	0.510	6.50	13.33	2.64	12.95
		0.2540	0.505	0.096		6.45	12.83	2.44	
CIMC-12-002D	2774-0824	0.2560	0.525	0.104	0.710	6.50	13.33	2.64	18.03
		0.2540	0.505	0.096		6.45	12.83	2.44	
		L		M		L		M	
CIMC-12-002A	2774-0613	0.411		0.721		10.44		18.31	
		0.401				10.19			
CIMC-12-002B	2774-0617	0.536		0.946		13.61		24.03	
		0.526				13.36			
CIMC-12-002C	2774-0817	0.556		0.965		14.12		24.51	
		0.544				13.82			
CIMC-12-002D	2774-0824	0.756		1.366		19.20		34.70	
		0.744				18.90			

TITLE	Monobolt 防水铆钉	WEIGHT	
SPEC		MATERIAL	Aluminium
PART NO.	CIMC-12-002	PAGE NO.	116



**CIMC**



Authorized Distributor:  
**Pacific Marine & Industrial**  
[www.pacificmarine.net](http://www.pacificmarine.net)  
[info@pacificmarine.net](mailto:info@pacificmarine.net)



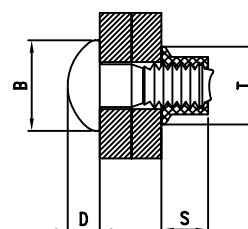
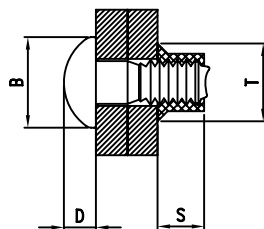
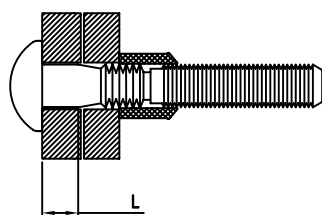
L = Length ( Underhead to end of shank )

B = Head Diameter

D = Head Thickness

S = Length ( Back of workpiece to pin break )

T = Diameter of Placed Collar

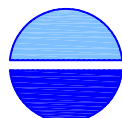


**FULL COLLAR**

**FLANGED COLLAR**

Code No.	Reference No.	L	B	D	Full Collar		Flanged Collar	
					S max.	T max.	S max.	T max.
		nom.	max.	max.				
CIMC-13-001	2801-0804	4.75	13.3	4.1	12.2	10.8		
CIMC-13-002	2801-0806	7.92						
CIMC-13-003	2801-0808	11.10						
CIMC-13-004	2839-08	Full Collar for the Ø6.4 Alu Hockbolt						
CIMC-13-005	2801-1004	3.18	16.7	5.4	15.5	13.4		
CIMC-13-006	2801-1006	6.35						
CIMC-13-007	2801-1008	9.53						
CIMC-13-008	2837-10	Full Collar for the Ø8 Alu Hockbolt						
CIMC-13-009	2801-1204	3.18	20.00	6.5	18.5	15.8	18.5	19.8
CIMC-13-010	2801-1206	6.35						
CIMC-13-011	2801-1208	9.53						
CIMC-13-012	2801-1210	12.70						
CIMC-13-013	2801-1212	15.88						
CIMC-13-014	2801-1214	19.05						
CIMC-13-015	2801-1216	22.23						
CIMC-13-016	2801-1218	25.40						
CIMC-13-017	2801-1220	28.58						
CIMC-13-018	2801-1222	31.75						
CIMC-13-019	2801-1222	31.75						
CIMC-13-020	2801-1224	34.93						
CIMC-13-021	2801-1226	38.10						
CIMC-13-022	2805-12(2837-12)	Full Collar for the Ø10 Alu Hockbolt						
CIMC-13-023	2809-12	Flanged Collar for the Ø10 Alu Hockbolt						

TITLE	Alu Hockbolt & Collar 环槽铆钉	WEIGHT	
SPEC		MATERIAL	Aluminium Alloy
PART NO.	CIMC-13	PAGE NO.	117

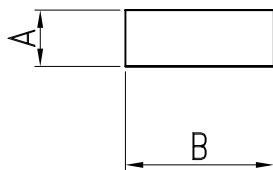


**CIMC**

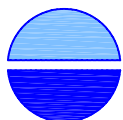


Authorized Distributor:  
Pacific Marine & Industrial  
www.pacificmarine.net  
info@pacificmarine.net

Type	A	B	L	WEIGHT
CIMC-14-001-1	9.5	25	3000	0.70kg/m
CIMC-14-002-1	9.5	51	3000	1.33kg/m
CIMC-14-003-1	9.5	89	3000	2.31kg/m
CIMC-14-004-1	9.5	100	3000	2.60kg/m
CIMC-14-005-1	9.5	127	3000	3.30kg/m
CIMC-14-006-1	10	125	3000	3.40kg/m
CIMC-14-007-1	13	89	3000	3.42kg/m
CIMC-14-008-1	6.0	130	2400	3.42kg/m



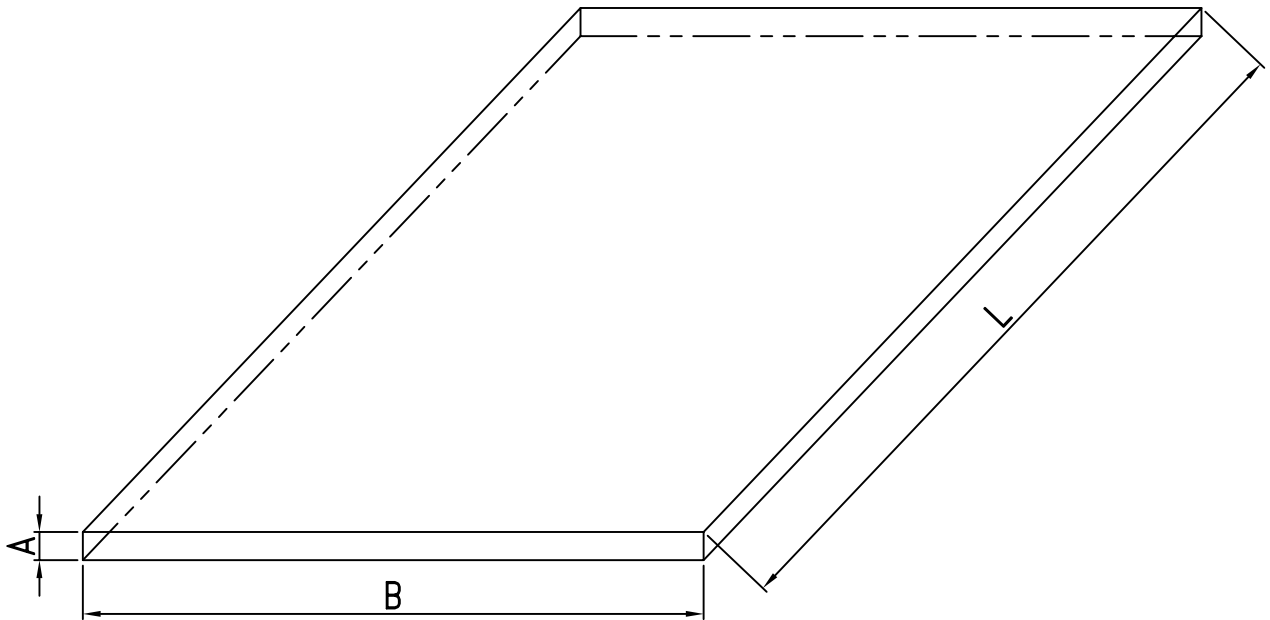
TITLE	AL plate selfcolor 铝绑料	WEIGHT	
SPEC		MATERIAL	6061-T6
PART NO.	CIMC-14	PAGE NO.	118



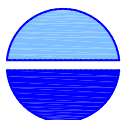
**CIMC**



Authorized Distributor:  
**Pacific Marine & Industrial**  
[www.pacificmarine.net](http://www.pacificmarine.net)  
[info@pacificmarine.net](mailto:info@pacificmarine.net)



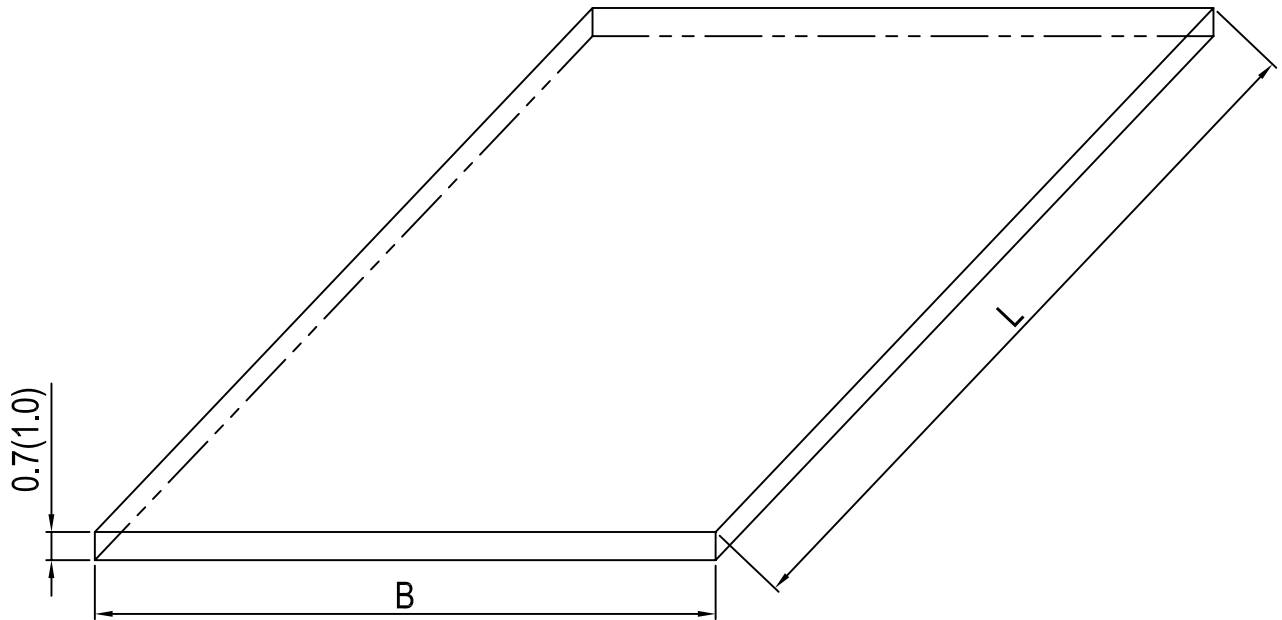
TITLE	Alum.plate(primercoating) 预涂铝板	WEIGHT	
SPEC	AXBXL	MATERIAL	6061-T6
PART NO.		PAGE NO.	119



**CIMC**

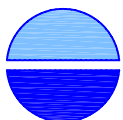


Authorized Distributor:  
**Pacific Marine & Industrial**  
[www.pacificmarine.net](http://www.pacificmarine.net)  
[info@pacificmarine.net](mailto:info@pacificmarine.net)



Part NO	SPEC
SUS-T0.7-1	0.7X1240X2550
SUS-T0.7-2	0.7X1129X2547
SUS-T1.0-2	1.0X1219X2750
SUS-T1.0-4	1.0X1000X3000

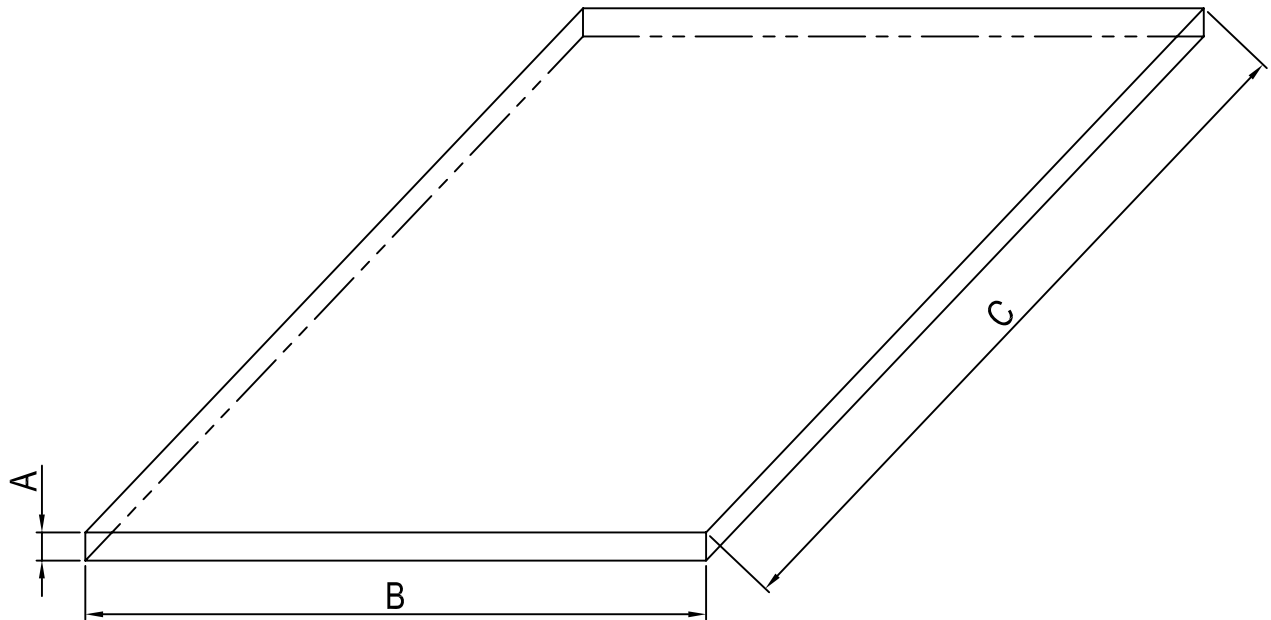
TITLE	Flat Plate SUS304 不锈钢平板	WEIGHT	
SPEC	AxBxL	MATERIAL	SUS304
PART NO.		PAGE NO.	120



**CIMC**

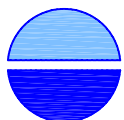


Authorized Distributor:  
**Pacific Marine & Industrial**  
[www.pacificmarine.net](http://www.pacificmarine.net)  
[info@pacificmarine.net](mailto:info@pacificmarine.net)



Part No.	SPEC
MGSS-T1.0-1	1.0X1205X2490
MGSS-T1.0-2	1.0X1219X2438
MGSS-T1.2-1	1.2X1232X2490
MGSS-T1.2-2	1.2X1232X2550
MGSS-T1.2-3	1.2X1219X2438
MGSS-T1.6-1	1.6X1219X2438
MGSS-T2.0-1	2.0X1219X2438
MGSS-T4.0-1	4.0X1219X2438

TITLE	MGSS Plate 不锈钢平板	WEIGHT	
SPEC	AxBxL	MATERIAL	MGSS
PART NO.		PAGE NO.	121



**CIMC**



Authorized Distributor:  
**Pacific Marine & Industrial**  
[www.pacificmarine.net](http://www.pacificmarine.net)  
[info@pacificmarine.net](mailto:info@pacificmarine.net)