



PACIFIC MARINE & INDUSTRIAL

MANUFACTURING ♦ DISTRIBUTION ♦ SERVICE

FERRY PASSENGER SEATS

QUICK CATALOG



VIP SLEEPER SEAT



NORFOLK SEAT



SAN FRANCISCO SEAT



AUSTIN SEAT



ALBERTA SEAT



CHARLOTTE SEAT



SEATTLE SEAT



ATLANTA SEAT



CHICAGO SEAT

Quality Pacific Manufacturing, Inc., P.O. Box 70520 Richmond, CA, USA 94807



510-233-2310



www.pacificmarine.net



info@pacificmarine.net



PACIFIC MARINE & INDUSTRIAL MANUFACTURING ♦ DISTRIBUTION ♦ SERVICE

FERRY PASSENGER SEATS

QUICK CATALOG



PORTLAND SEAT



MONTREAL SEAT



PHOENIX SEAT



MIAMI SEAT



HOUSTON SEAT



BOSTON SEAT



TORONTO SEAT



NASHVILLE SEAT



ANCHORAGE SEAT

Quality Pacific Manufacturing, Inc., P.O. Box 70520 Richmond, CA, USA 94807



510-233-2310



www.pacificmarine.net



info@pacificmarine.net



PACIFIC MARINE & INDUSTRIAL

MANUFACTURING ♦ DISTRIBUTION ♦ SERVICE

FERRY PASSENGER SEATS

QUICK CATALOG



**NAUTIC PRO
OPERATORS SEAT**



**NAUTIC STAR
CREW SEAT**



COMMANDERS CHAIR



CLAM SEAT



PILOT CHAIR



**HIGH SPEEDCRAFT
CHAIR**



MARINE BEDS



MARINE LOCKERS



MARINE DESKS

Quality Pacific Manufacturing, Inc., P.O. Box 70520 Richmond, CA, USA 94807



510-233-2310



www.pacificmarine.net



info@pacificmarine.net



PACIFIC MARINE & INDUSTRIAL

MANUFACTURING ♦ DISTRIBUTION ♦ SERVICE

FERRY PASSENGER SEATS

VIP SLEEPER SEAT



FEATURES

- ✦ Interior Seat
- ✦ 560mm Width Between Arm Rests
- ✦ 120mm Arm Rest Width
- ✦ Full Reclining 150°
- ✦ Bolt Down Mounted

OPTIONS

- ✦ Tray Table in Arm Rest
- ✦ Video in Arm Rest
- ✦ Reading Light

Part Numbers

Full Recline 150° : VIP Sleeper

Upholster Materials

- ✦ Treated Fabric
- ✦ PVC Synthetic Leather
- ✦ Leather

Materials of Construction

- ✦ Light Weight Aluminum Seat
- ✦ Screws and Nuts Are 304 Stainless Steel

Quality Pacific Manufacturing, Inc., P.O. Box 70520 Richmond, CA, USA 94807



510-233-2310



www.pacificmarine.net



info@pacificmarine.net



PACIFIC MARINE & INDUSTRIAL

MANUFACTURING ♦ DISTRIBUTION ♦ SERVICE

FERRY PASSENGER SEATS

NORFOLK SEAT



FEATURES

- ✦ Interior Seat
- ✦ Class Society Certified
- ✦ HSC & USCG Certified
- ✦ 470mm Width Between Arm Rests
- ✦ 40mm Arm Rest Width (Standard)
- ✦ Reclining Version: 106° to 124°
- ✦ Full Reclining Version: 150°

OPTIONS

- ✦ Life Jacket Bag Under Seat
- ✦ Seat Track or Bolt Down Mounted
- ✦ Curved, Flat or Fold Up Arm Rests
- ✦ Open or Closed Type Arm Rests
- ✦ Head Rest Cover
- ✦ Magazine Pouch
- ✦ Arm Rest Pad
- ✦ Other Options per Options Catalog

Part Numbers

Fixed Back : Norfolk-FB
Reclining Back : Norfolk-RB
Full Recline 150° : Norfolk-FR

Upholster Materials

- ✦ Treated Fabric
- ✦ PVC Synthetic Leather
- ✦ Leather

Materials of Construction

- ✦ Light Weight Aluminum Seat Frame, Beam, Legs, Track and Arm-Rests
- ✦ Screws and Nuts Are 304 Stainless Steel

Quality Pacific Manufacturing, Inc., P.O. Box 70520 Richmond, CA, USA 94807

☎ 510-233-2310 🌐 www.pacificmarine.net ✉ info@pacificmarine.net



PACIFIC MARINE & INDUSTRIAL

MANUFACTURING ◊ DISTRIBUTION ◊ SERVICE

FERRY PASSENGER SEATS

SAN FRANCISCO SEAT



FEATURES

- ✦ Interior Seat
- ✦ Class Society Certified
- ✦ USCG Certified
- ✦ 460mm Width Between Arm Rests
- ✦ Reclining Version: 106° to 124°
- ✦ Full Reclining Version: 150°

OPTIONS

- ✦ Life Jacket Bag Under Seat
- ✦ Seat Track or Bolt Down Mounted
- ✦ Curved, Flat or Fold Up Arm Rests
- ✦ Open or Closed Type Arm Rests
- ✦ Head Rest Cover
- ✦ Magazine Pouch
- ✦ Arm Rest Pad
- ✦ Other Options per Options Catalog

Part Numbers

Fixed Back : San Francisco-FB
Reclining Back : San Francisco-RB
Full Recline 150° : San Francisco-FR

Upholster Materials

- ✦ Treated Fabric
- ✦ PVC Synthetic Leather
- ✦ Leather

Materials of Construction

- ✦ Light Weight Aluminum Seat Frame, Beam, Legs, Track and Arm-Rests
- ✦ Screws and Nuts Are 304 Stainless Steel

Quality Pacific Manufacturing, Inc., P.O. Box 70520 Richmond, CA, USA 94807



510-233-2310



www.pacificmarine.net



info@pacificmarine.net



PACIFIC MARINE & INDUSTRIAL

MANUFACTURING ♦ DISTRIBUTION ♦ SERVICE

FERRY PASSENGER SEATS

SEATTLE SEAT



FEATURES

- ✦ Interior Seat
- ✦ Class Society Certified
- ✦ HSC & USCG Certified
- ✦ 490mm Width Between Arm Rests
- ✦ 40mm Arm Rest Width (Standard)
- ✦ Reclining Version: 106° to 124°
- ✦ Full Reclining Version: 150°

OPTIONS

- ✦ Life Jacket Bag Under Seat
- ✦ Seat Track or Bolt Down Mounted
- ✦ Curved, Flat or Fold Up Arm Rests
- ✦ Open or Closed Type Arm Rests
- ✦ Head Rest Cover
- ✦ Magazine Pouch
- ✦ Arm Rest Pad
- ✦ Other Options per Options Catalog

Part Numbers

Fixed Back : Seattle-FB
Reclining Back : Seattle-RB
Full Recline 150° : Seattle-FR

Upholster Materials

- ✦ Treated Fabric
- ✦ PVC Synthetic Leather
- ✦ Leather

Materials of Construction

- ✦ Light Weight Aluminum Seat Frame, Beam, Legs, Track and Arm-Rests
- ✦ Screws and Nuts Are 304 Stainless Steel

Quality Pacific Manufacturing, Inc., P.O. Box 70520 Richmond, CA, USA 94807



510-233-2310



www.pacificmarine.net



info@pacificmarine.net



PACIFIC MARINE & INDUSTRIAL

MANUFACTURING ♦ DISTRIBUTION ♦ SERVICE

FERRY PASSENGER SEATS

CHARLOTTE SEAT



FEATURES

- ✦ Interior Seat
- ✦ Class Society Certified
- ✦ USCG Certified
- ✦ 470mm Width Between Arm Rests
- ✦ 40mm Arm Rest Width (Standard)
- ✦ Reclining Version: 106° to 124°
- ✦ Full Reclining Version: 150°

OPTIONS

- ✦ Life Jacket Bag Under Seat
- ✦ Seat Track or Bolt Down Mounted
- ✦ Curved, Flat or Fold Up Arm Rests
- ✦ Open or Closed Type Arm Rests
- ✦ Head Rest Cover
- ✦ Magazine Pouch
- ✦ Arm Rest Pad
- ✦ Other Options per Options Catalog

Part Numbers

Fixed Back : Charlotte-FB
Reclining Back : Charlotte-RB
Full Recline 150° : Charlotte-FR

Upholster Materials

- ✦ Treated Fabric
- ✦ PVC Synthetic Leather
- ✦ Leather

Materials of Construction

- ✦ Light Weight Aluminum Seat Frame, Beam, Legs, Track and Arm-Rests
- ✦ Screws and Nuts Are 304 Stainless Steel

Quality Pacific Manufacturing, Inc., P.O. Box 70520 Richmond, CA, USA 94807



510-233-2310



www.pacificmarine.net



info@pacificmarine.net



PACIFIC MARINE & INDUSTRIAL

MANUFACTURING ♦ DISTRIBUTION ♦ SERVICE

FERRY PASSENGER SEATS

ALBERTA SEAT



FEATURES

- ✦ Interior Seat
- ✦ Class Society Certified
- ✦ USCG Certified
- ✦ 500mm Width Between Arm Rests
- ✦ 80mm Arm Rest Width (Standard)
- ✦ Reclining Version: 106° to 124°
- ✦ Full Reclining Version: 150°

OPTIONS

- ✦ Life Jacket Bag Under Seat
- ✦ Seat Track or Bolt Down Mounted
- ✦ Head Rest Cover
- ✦ Magazine Pouch
- ✦ Arm Rest Pad
- ✦ Other Options per Options Catalog

Part Numbers

Fixed Back : Alberta-FB
Reclining Back : Alberta-RB
Full Recline 150° : Alberta-FR

Upholster Materials

- ✦ Treated Fabric
- ✦ PVC Synthetic Leather
- ✦ Leather

Materials of Construction

- ✦ Light Weight Aluminum Seat Frame, Beam, Legs, Track and Arm-Rests
- ✦ Screws and Nuts Are 304 Stainless Steel

Quality Pacific Manufacturing, Inc., P.O. Box 70520 Richmond, CA, USA 94807



510-233-2310



www.pacificmarine.net



info@pacificmarine.net



PACIFIC MARINE & INDUSTRIAL

MANUFACTURING ♦ DISTRIBUTION ♦ SERVICE

FERRY PASSENGER SEATS

AUSTIN SEAT



Shown with Life Jacket bag

FEATURES

- ✦ Interior Seat
- ✦ Class Society Certified
- ✦ USCG Certified
- ✦ 500mm Width Between Arm Rests
- ✦ 80mm Arm Rest Width (Standard)
- ✦ Reclining Version: 106° to 124°
- ✦ Full Reclining Version: 150°

OPTIONS

- ✦ Life Jacket Bag Under Seat
- ✦ Seat Track or Bolt Down Mounted
- ✦ Head Rest Cover
- ✦ Magazine Pouch
- ✦ Arm Rest Pad
- ✦ Other Options per Options Catalog

Part Numbers

Fixed Back : Austin-FB
Reclining Back : Austin-RB
Full Recline 150° : Austin-FR

Upholster Materials

- ✦ Treated Fabric
- ✦ PVC Synthetic Leather
- ✦ Leather

Materials of Construction

- ✦ Light Weight Aluminum Seat Frame, Beam, Legs, Track and Arm-Rests
- ✦ Screws and Nuts Are 304 Stainless Steel

Quality Pacific Manufacturing, Inc., P.O. Box 70520 Richmond, CA, USA 94807



510-233-2310



www.pacificmarine.net



info@pacificmarine.net



PACIFIC MARINE & INDUSTRIAL

MANUFACTURING ◊ DISTRIBUTION ◊ SERVICE

FERRY PASSENGER SEATS

ATLANTA SEAT



FEATURES

- ✦ Interior Seat
- ✦ Class Society Certified
- ✦ HSC & USCG Certified
- ✦ 490mm Width Between Arm Rests
- ✦ 40mm Arm Rest Width (Standard)
- ✦ Reclining Version: 106° to 124°
- ✦ Full Reclining Version: 150°

OPTIONS

- ✦ Life Jacket Bag Under Seat
- ✦ Seat Track or Bolt Down Mounted
- ✦ Curved, Flat or Fold Up Arm Rests
- ✦ Open or Closed Type Arm Rests
- ✦ Head Rest Cover
- ✦ Magazine Pouch
- ✦ Arm Rest Pad
- ✦ Other Options per Options Catalog

Part Numbers

Fixed Back : Atlanta-FB
Reclining Back : Atlanta-RB
Full Recline 150° : Atlanta-FR

Upholster Materials

- ✦ Treated Fabric
- ✦ PVC Synthetic Leather
- ✦ Leather

Materials of Construction

- ✦ Light Weight Aluminum Seat Frame, Beam, Legs, Track and Arm-Rests
- ✦ Screws and Nuts Are 304 Stainless Steel

Quality Pacific Manufacturing, Inc., P.O. Box 70520 Richmond, CA, USA 94807



510-233-2310



www.pacificmarine.net



info@pacificmarine.net



PACIFIC MARINE & INDUSTRIAL

MANUFACTURING ♦ DISTRIBUTION ♦ SERVICE

FERRY PASSENGER SEATS

PORTLAND SEAT



FEATURES

- ✦ Interior Seat
- ✦ Class Society Certified
- ✦ HSC & USCG Certified
- ✦ 470mm Width Between Arm Rests
- ✦ 40mm Arm Rest Width (Standard)
- ✦ Reclining Version: 106° to 124°
- ✦ Full Reclining Version: 150°

OPTIONS

- ✦ Life Jacket Bag Under Seat
- ✦ Seat Track or Bolt Down Mounted
- ✦ Curved, Flat or Fold Up Arm Rests
- ✦ Open or Closed Type Arm Rests
- ✦ Head Rest Cover
- ✦ Magazine Pouch
- ✦ Arm Rest Pad
- ✦ Other Options per Options Catalog

Part Numbers

Fixed Back : Portland-FB
Reclining Back : Portland-RB
Full Recline 150° : Portland-FR

Upholster Materials

- ✦ Treated Fabric
- ✦ PVC Synthetic Leather
- ✦ Leather

Materials of Construction

- ✦ Light Weight Aluminum Seat Frame, Beam, Legs, Track and Arm-Rests
- ✦ Screws and Nuts Are 304 Stainless Steel

Quality Pacific Manufacturing, Inc., P.O. Box 70520 Richmond, CA, USA 94807

☎ 510-233-2310 🌐 www.pacificmarine.net ✉ info@pacificmarine.net



PACIFIC MARINE & INDUSTRIAL

MANUFACTURING ♦ DISTRIBUTION ♦ SERVICE

FERRY PASSENGER SEATS

CHICAGO SEAT



Shown with Life Jacket box

FEATURES

- ✦ Interior Seat
- ✦ Class Society Certified
- ✦ HSC & USCG Certified
- ✦ 470mm Width Between Arm Rests
- ✦ 40mm Arm Rest Width (Standard)
- ✦ Reclining Version: 106° to 124°
- ✦ Full Reclining Version: 150°

OPTIONS

- ✦ Life Jacket Bag Under Seat
- ✦ Seat Track or Bolt Down Mounted
- ✦ Curved, Flat or Fold Up Arm Rests
- ✦ Open or Closed Type Arm Rests
- ✦ Head Rest Cover
- ✦ Magazine Pouch
- ✦ Arm Rest Pad
- ✦ Other Options per Options Catalog

Part Numbers

Fixed Back : Chicago-FB
Reclining Back : Chicago-RB
Full Recline 150° : Chicago-FR

Upholster Materials

- ✦ Treated Fabric
- ✦ PVC Synthetic Leather
- ✦ Leather

Materials of Construction

- ✦ Light Weight Aluminum Seat Frame, Beam, Legs, Track and Arm-Rests
- ✦ Screws and Nuts Are 304 Stainless Steel

Quality Pacific Manufacturing, Inc., P.O. Box 70520 Richmond, CA, USA 94807



510-233-2310



www.pacificmarine.net



info@pacificmarine.net



PACIFIC MARINE & INDUSTRIAL

MANUFACTURING ♦ DISTRIBUTION ♦ SERVICE

FERRY PASSENGER SEATS

MONTREAL SEAT



FEATURES

- ✦ Interior Seat
- ✦ Fold Up Seat
- ✦ 470mm Width Between Arm Rests
- ✦ 40mm Arm Rest Width

OPTIONS

- ✦ Any Number of Seats Per Row
- ✦ Seat Track or Bolt Down Mounted
- ✦ Curved, Flat or Fold Up Arm Rests
- ✦ Other Options per Options Catalog

Part Numbers

Montreal

Upholster Materials

- ✦ Treated Fabric
- ✦ PVC Synthetic Leather
- ✦ Leather

Materials of Construction

- ✦ Light Weight Aluminum Seat Frame, Beam, Legs, Track and Arm-Rests
- ✦ Screws and Nuts Are 304 Stainless Steel

Quality Pacific Manufacturing, Inc., P.O. Box 70520 Richmond, CA, USA 94807



510-233-2310



www.pacificmarine.net



info@pacificmarine.net



PACIFIC MARINE & INDUSTRIAL

MANUFACTURING ♦ DISTRIBUTION ♦ SERVICE

FERRY PASSENGER SEATS

PHOENIX SEAT



FEATURES

- ✦ Interior Seat
- ✦ Fixed Back
- ✦ Storage Under Seat

OPTIONS

- ✦ Length as Desired
- ✦ Choice of Upholster Material
- ✦ Choice of Colors
- ✦ Life Jacket Box or Drawer Under Seat
- ✦ With or Without Lumbar Support

Part Numbers

Phoenix-1-XXXX

Phoenix-2-XXXX

XXXX is the Length in mm
1 is Single & 2 is Double

Upholster Materials

- ✦ Treated Fabric
- ✦ PVC Synthetic Leather
- ✦ Leather

Materials of Construction

- ✦ Aluminum Seat Frame
- ✦ Aluminum Storage Box Under Seat
- ✦ Screws & Nuts Are 304 SS

Quality Pacific Manufacturing, Inc., P.O. Box 70520 Richmond, CA, USA 94807



510-233-2310



www.pacificmarine.net



info@pacificmarine.net



PACIFIC MARINE & INDUSTRIAL

MANUFACTURING ♦ DISTRIBUTION ♦ SERVICE

FERRY PASSENGER SEATS

MIAMI SEAT



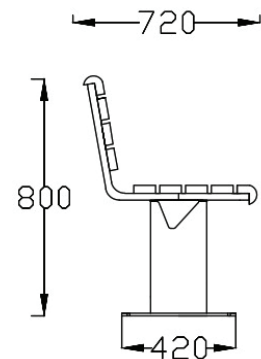
Shown without Arm Rests

FEATURES

- ✦ Rugged Exterior Seat
- ✦ Fixed Back

OPTIONS

- ✦ Length as Desired
- ✦ Choice of Color
- ✦ With or Without Arm Rests



Part Numbers

Miami-XXXX
XXXX is length in mm

Materials of Construction

- ✦ Aluminum Seat Slats
- ✦ Aluminum Seat Frame, Beam, Legs, Track and Arm-Rest
- ✦ Screws and Nuts Are 304 Stainless Steel

Quality Pacific Manufacturing, Inc., P.O. Box 70520 Richmond, CA, USA 94807



510-233-2310



www.pacificmarine.net



info@pacificmarine.net



PACIFIC MARINE & INDUSTRIAL

MANUFACTURING ◊ DISTRIBUTION ◊ SERVICE

FERRY PASSENGER SEATS

HOUSTON SEAT



FEATURES

- ✦ Rugged Exterior Seat
- ✦ Fixed Back
- ✦ 500mm Width Between Arms Rests
- ✦ 40mm Arm Rest (Standard)

OPTIONS

- ✦ Unlimited Number of Seats Per Row
- ✦ Flat, Curved, Fold Up or No Arm Rests
- ✦ Track or Bolt Down Mounted
- ✦ Life Jacket Bag, Tray or Box Under Seat
- ✦ Other Options per Options Catalog

Part Numbers

Houston-StainlessSteel
Houston-Aluminum

Materials of Construction

- ✦ Stainless Steel or Aluminum Seat
- ✦ Aluminum Seat Frame, Beam, Legs, Track and Arm-Rest
- ✦ Screws and Nuts Are 304 Stainless Steel

Quality Pacific Manufacturing, Inc., P.O. Box 70520 Richmond, CA, USA 94807



510-233-2310



www.pacificmarine.net



info@pacificmarine.net



PACIFIC MARINE & INDUSTRIAL

MANUFACTURING ♦ DISTRIBUTION ♦ SERVICE

FERRY PASSENGER SEATS

BOSTON SEAT



BPG-S Version

FEATURES

- ✦ Rugged Exterior Seat
- ✦ Fixed Back
- ✦ 470mm Width Between Arms Rests
- ✦ 40mm Arm Rest Width (Standard)
- ✦ Seat Back Has Built In Handle

OPTIONS

- ✦ Life Jacket Bag Under Seat
- ✦ 4 Seat Choices
- ✦ Unlimited Number of Seats Per Row
- ✦ Flat, Curved, Fold Up or No Arm Rests
- ✦ Track or Bolt Down Mounted
- ✦ Other Options per Options Catalog



BPG-R Version



BFG-R Version



BFR-R Version

Part Numbers

Blue Plastic with Grey Square Frame	: Boston - BPG-S
Blue Plastic Grey Round Frame	: Boston- BPG-R
Blue Fabric Grey Round Frame	: Boston- BFG-R
Blue Fabric Red Round Frame	: Boston - BFR-R

Materials of Construction

- ✦ Blue and Grey ABS Plastic Seat
- ✦ Aluminum Seat Frame, Beam, Legs, Track and Arm-Rest
- ✦ Screws and Nuts Are 304 Stainless Steel

Quality Pacific Manufacturing, Inc., P.O. Box 70520 Richmond, CA, USA 94807



510-233-2310



www.pacificmarine.net



info@pacificmarine.net



PACIFIC MARINE & INDUSTRIAL

MANUFACTURING ♦ DISTRIBUTION ♦ SERVICE

FERRY PASSENGER SEATS

TORONTO SEAT



BPG-R Version



BPG-S Version



BFG-R Version



BFR-R Version

FEATURES

- ✦ Exterior Seat
- ✦ 440mm Wide
- ✦ Seat Top Handle
- ✦ Economy Steel Base
- ✦ Bolt Down

OPTIONS

- ✦ 4 Seat Choices
- ✦ Unlimited Number of Seats Per Row

Part Numbers

Blue Plastic Grey Round Frame : Toronto - BPG-R
Blue Plastic with Grey Square Frame : Toronto - BPG-S
Blue Fabric Grey Round Frame : Toronto - BFG-R
Blue Fabric Red Round Frame : Toronto - BFR-R

Materials of Construction

- ✦ ABS Plastic
- ✦ Steel Base
- ✦ Marine Rated Fabric

Quality Pacific Manufacturing, Inc., P.O. Box 70520 Richmond, CA, USA 94807



510-233-2310



www.pacificmarine.net



info@pacificmarine.net



PACIFIC MARINE & INDUSTRIAL

MANUFACTURING ♦ DISTRIBUTION ♦ SERVICE

FERRY PASSENGER SEATS

NASHVILLE SEAT



FEATURES

- ✦ Rugged Exterior Seat
- ✦ Fixed Back
- ✦ 520mm Width Between Arms Rests

OPTIONS

- ✦ Unlimited Number of Seats Per Row
- ✦ Flat, Curved, Fold Up or No Arm Rests
- ✦ Track or Bolt Down Mounted
- ✦ Life Jacket Bag Under Seat
- ✦ Other Options per Options Catalog

Part Numbers

Nashville

Choice of Color

- ✦ Wood Grain Color
- ✦ Solid Color

Materials of Construction

- ✦ Stainless Steel Powder Coated Seat
- ✦ Aluminum Seat Frame, Beam, Legs, Track and Arm-Rest
- ✦ Screws and Nuts Are 304 Stainless Steel

Quality Pacific Manufacturing, Inc., P.O. Box 70520 Richmond, CA, USA 94807

☎ 510-233-2310

🌐 www.pacificmarine.net

✉ info@pacificmarine.net



PACIFIC MARINE & INDUSTRIAL MANUFACTURING ♦ DISTRIBUTION ♦ SERVICE

FERRY PASSENGER SEATS

ANCHORAGE SEAT



Shown with Life Jacket Drawer Option

FEATURES

- ✦ Rugged Exterior Seat
- ✦ Fixed Back
- ✦ Storage Under Seat

OPTIONS

- ✦ Length As Desired
- ✦ Hinged Top or Under Seat Drawer
- ✦ Single or Double Seat
- ✦ Modifications Possible
- ✦ Painted or Powder Coated

Part Numbers

Anchorage-1-XXXX

Anchorage-2-XXXX

XXXX is length in mm

Choice of Color

- ✦ Solid Color
- ✦ Natural Aluminium
- ✦ Hot Dipped Galvanized Steel

Materials of Construction

- ✦ Aluminium or Steel

Quality Pacific Manufacturing, Inc., P.O. Box 70520 Richmond, CA, USA 94807

☎ 510-233-2310

🌐 www.pacificmarine.net

✉ info@pacificmarine.net



PACIFIC MARINE & INDUSTRIAL

MANUFACTURING ◊ DISTRIBUTION ◊ SERVICE

FERRY PASSENGER SEATS

SANTA FE SEAT



FEATURES

- ✦ Exterior or Interior Seat
- ✦ Fixed Back
- ✦ Class Society Certified
- ✦ USCG Certified
- ✦ 470mm Width Between Arm Rests
- ✦ 40mm Arm Rest Width (Standard)

OPTIONS

- ✦ Seat Track or Bolt Down Mounted
- ✦ Arm Rest Pad
- ✦ Other Options per Options Catalog

Part Numbers

Santa Fe

Upholster Materials

- ✦ Treated Fabric Mesh

Materials of Construction

- ✦ Light Weight Aluminum Seat Frame, Beam, Legs, Track and Arm-Rests
- ✦ Screws and Nuts Are 304 Stainless Steel

Quality Pacific Manufacturing, Inc., P.O. Box 70520 Richmond, CA, USA 94807

📞 510-233-2310

🌐 www.pacificmarine.net

✉ info@pacificmarine.net



PACIFIC MARINE & INDUSTRIAL

MANUFACTURING ♦ DISTRIBUTION ♦ SERVICE

FERRY PASSENGER SEATS

NAUTIC PRO OPERATORS SEAT



FEATURES

- ✦ Vessel Operators Seat
- ✦ High Comfort-Backrest
- ✦ Foldable Armrests
- ✦ Seat Angle Adjustment
- ✦ Adjustable Backrest
- ✦ Seat Rotates 360°
- ✦ Foldable Footrest

OPTIONS

- ✦ Electrical Height Adjustment
- ✦ Seat Heater
- ✦ Seatbelt
- ✦ Logo

Part Numbers

Nautic Pro

Upholster Materials

- ✦ Treated Fabric
- ✦ PVC Synthetic Leather
- ✦ Leather

Quality Pacific Manufacturing, Inc., P.O. Box 70520 Richmond, CA, USA 94807



510-233-2310



www.pacificmarine.net



info@pacificmarine.net



PACIFIC MARINE & INDUSTRIAL

MANUFACTURING ♦ DISTRIBUTION ♦ SERVICE

FERRY PASSENGER SEATS

NAUTIC STAR CREW SEAT



FEATURES

- ✦ Seat Rows as Needed
- ✦ Mechanical Suspension
- ✦ Weight Adjustment
- ✦ Adjustable Headrest
- ✦ Foldable Armrests
- ✦ Adjustable Backrest

OPTIONS

- ✦ Rotating
- ✦ Seatbelt
- ✦ 4 Point Harness
- ✦ Footrests
- ✦ Other Box Sizes Available on Request
- ✦ Logo

Part Numbers

Nautic Star Crew

Upholster Materials

- ✦ Treated Fabric
- ✦ PVC Synthetic Leather
- ✦ Leather

Quality Pacific Manufacturing, Inc., P.O. Box 70520 Richmond, CA, USA 94807



510-233-2310



www.pacificmarine.net



info@pacificmarine.net



PACIFIC MARINE & INDUSTRIAL

MANUFACTURING ♦ DISTRIBUTION ♦ SERVICE

FERRY PASSENGER SEATS

MARINE PILOT'S SEAT



FEATURES

- ✦ Non Rotating
- ✦ Wide and Stable Base
- ✦ Height Adjustment
- ✦ Multifunctional Comfort Armrests
- ✦ Backrest Height Adjustment
- ✦ Backrest Angle Adjustment
- ✦ Seat Angle Adjustment
- ✦ Foldable Footrest
- ✦ Height Adjustable Footrest

OPTIONS

- ✦ Rotating (Height Differs from the Standard Model)
- ✦ Floor Mounting Hardware

Part Numbers

Pilot's Chair

Upholster Materials

- ✦ Black Vinyl (Standard)
- ✦ Customization Possible

Quality Pacific Manufacturing, Inc., P.O. Box 70520 Richmond, CA, USA 94807



510-233-2310



www.pacificmarine.net



info@pacificmarine.net



PACIFIC MARINE & INDUSTRIAL

MANUFACTURING ♦ DISTRIBUTION ♦ SERVICE

FERRY PASSENGER SEATS

WALL MOUNTED CLAM SEAT



FEATURES

- ✦ Wall Mounted Folding Seat
- ✦ Upholstered Backrest
- ✦ Tension Spring Supported Folding Mechanism
- ✦ Upholstered and Foldable Seat Pan
- ✦ Underside of Seat Pan with Black Plastic Cover
- ✦ Metal Parts Phosphated And Powder-coated, Standard Black
- ✦ Connecting Pieces Galvanized
- ✦ Upholstery-material: Grey Fabric

OPTIONS

- ✦ Size Modifications
- ✦ Add Upholstered Headrest
- ✦ Seatbelt with Retractor
- ✦ Special Upholstery-material

Part Numbers

Clam Chair

Upholster Materials

- ✦ Grey Fabric (Custom if Desired)

Quality Pacific Manufacturing, Inc., P.O. Box 70520 Richmond, CA, USA 94807

📞 510-233-2310 🌐 www.pacificmarine.net ✉ info@pacificmarine.net



PACIFIC MARINE & INDUSTRIAL MANUFACTURING ♦ DISTRIBUTION ♦ SERVICE

FERRY PASSENGER SEATS

FERRY SEAT OPTIONS



RECLINING OR
FIXED BACK



LEATHER
UPHOLSTERY



SYNTHETIC LEATHER
UPHOLSTERY



FABRIC
UPHOLSTERY



TWO TONE
UPHOLSTERY



CURVED OPEN
ARMREST



FLAT OPEN
ARMREST



CURVED OR FLAT
CLOSED ARMREST



FOLD UP
ARMREST



FLAT DOUBLE
CLOSED ARMREST



CURVED DOUBLE
CLOSED ARMREST



NO ARMREST OR
ROW ENDS ONLY



DOUBLE INTERIOR
ARMREST



ARMREST
COMFORT PAD



USB POWER
IN ARM REST

Quality Pacific Manufacturing, Inc., P.O. Box 70520 Richmond, CA, USA 94807



510-233-2310



www.pacificmarine.net



info@pacificmarine.net



PACIFIC MARINE & INDUSTRIAL

MANUFACTURING ♦ DISTRIBUTION ♦ SERVICE

FERRY PASSENGER SEATS

FERRY SEAT OPTIONS



TRAY TABLE ABS
5KG WEIGHT LIMIT



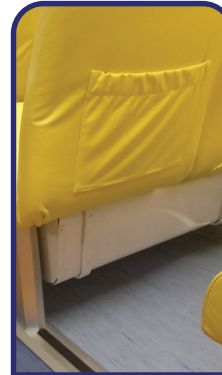
TRAY TABLE PE
20KG WEIGHT LIMIT



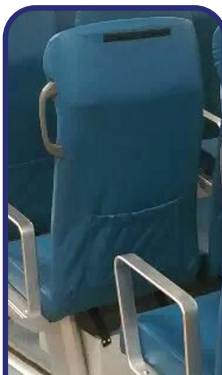
RECLINING SEAT
TRAY TABLE



MAGAZINE NET



MAGAZINE
POUCH



HAND GRIP
SIDE MOUNTED



BALL HAND GRIP
TOP MOUNTED



SEAT BACK
CUP HOLDER



SEAT BACK HOOK



SEAT BELT



LEG REST



FOOT REST



HEAD REST
COVER FULL



HEAD REST COVER
PARTIAL



LOGO

Quality Pacific Manufacturing, Inc., P.O. Box 70520 Richmond, CA, USA 94807



510-233-2310



www.pacificmarine.net



info@pacificmarine.net



PACIFIC MARINE & INDUSTRIAL MANUFACTURING ♦ DISTRIBUTION ♦ SERVICE

FERRY PASSENGER SEATS

LIFE JACKET OPTIONS



LIFE JACKET BAG UNDER SEAT
320MM X 320MM X 200MM (STD.)



LIFE JACKET TRAY UNDER SEAT



LIFE JACKET TRAY UNDER SEAT
REVERSE VIEW



LIFE JACKET BOX



CERTIFIED LIFE JACKETS
300 X 300 X 140MM



LIFE JACKET LIGHTS



LIFE JACKET
WHISTLES

Quality Pacific Manufacturing, Inc., P.O. Box 70520 Richmond, CA, USA 94807



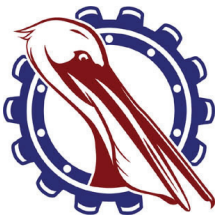
510-233-2310



www.pacificmarine.net



info@pacificmarine.net



PACIFIC MARINE & INDUSTRIAL

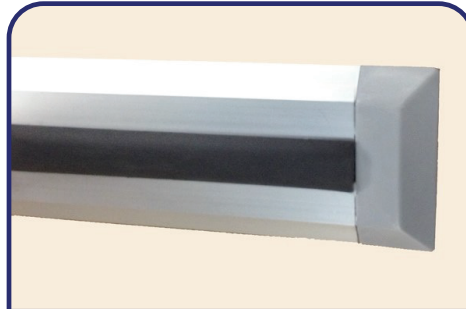
MANUFACTURING ♦ DISTRIBUTION ♦ SERVICE

FERRY PASSENGER SEATS

SEAT MOUNTING OPTIONS



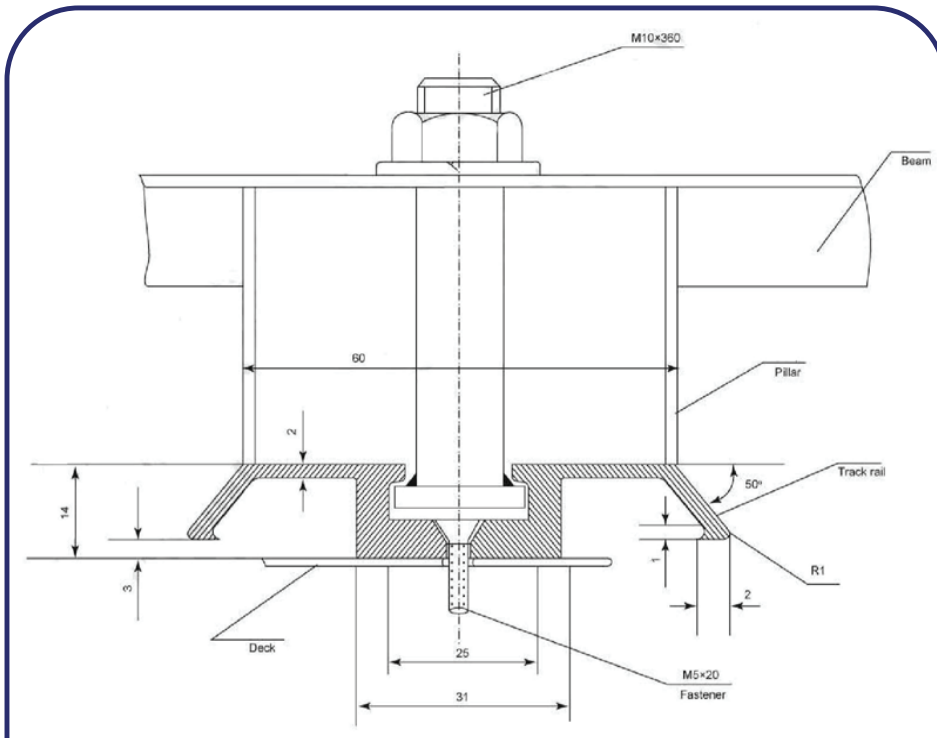
SEAT TRACK MOUNTING



TRACK END (GREY PLASTIC) & TRACK COVER (BLACK RUBBER)



BOLT DOWN MOUNTING (STAND ALONE IS SIMILAR)



SEAT TRACK DRAWING



VESSEL STRUCTURE OR COMPARTMENT MOUNTED SEATS (BOLT DOWN)

Quality Pacific Manufacturing, Inc., P.O. Box 70520 Richmond, CA, USA 94807



510-233-2310



www.pacificmarine.net



info@pacificmarine.net