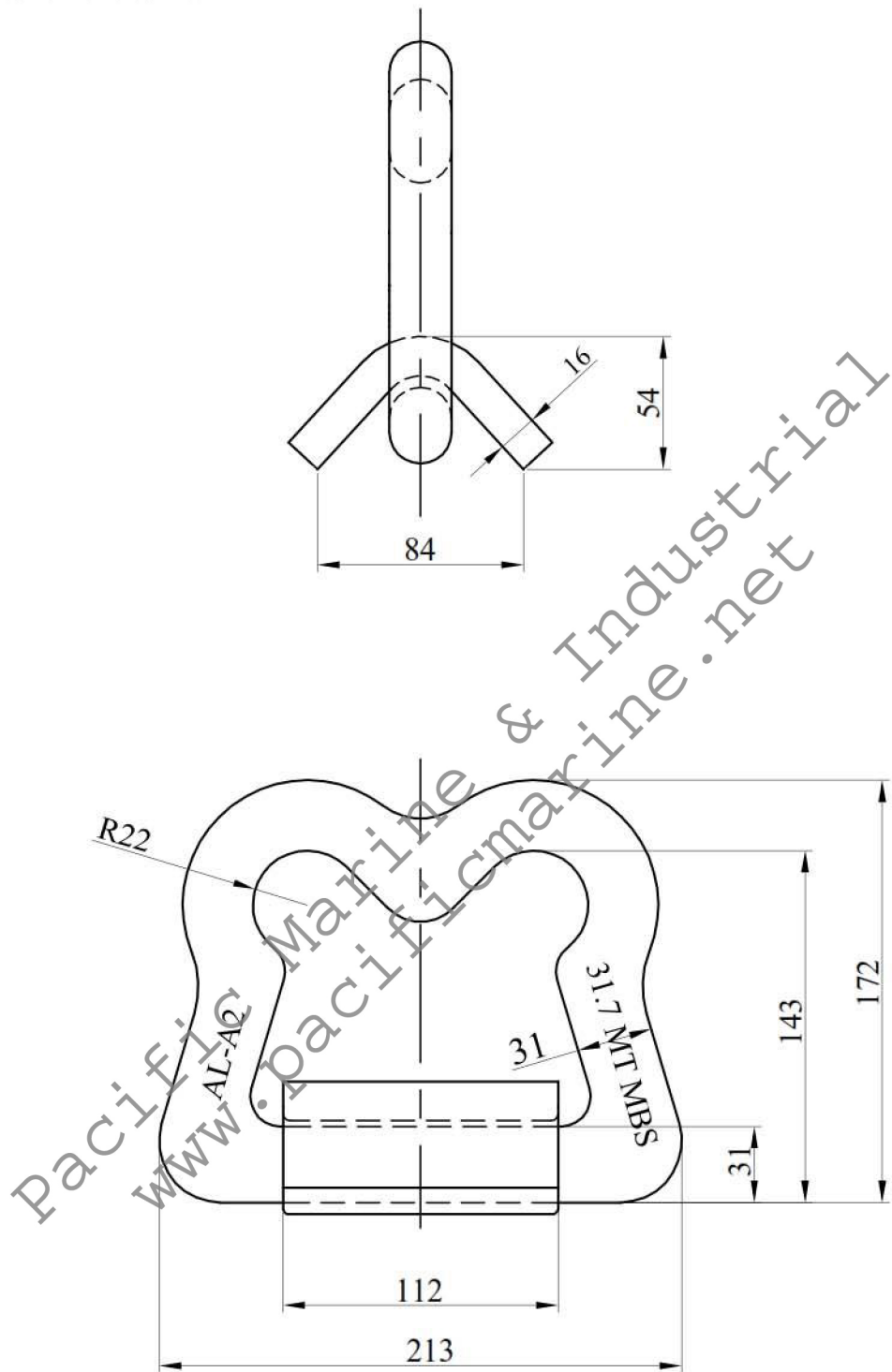


Lifting Point 13 Tons SWL

PAL-A2-LIFT



SWL Lifting (5:1) = 130KN

Material: Forged steel

Finish: Hot dip galvanised

Weight: 5.0kg

M.B.L:Tension: 650KN

M.B.L:Shear: -

M.B.L:Compression: -