

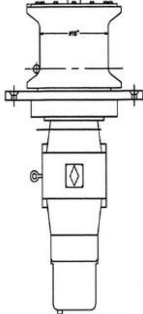






## Marine and Industrial Capstan

### Information Needed For Quotations

1. What capstan style is needed?

				
Option A	Option B	Option C	Option D	Option E
Above Deck	Semi Thru Deck	Thru Deck	Closed Gearbox	Open Gearbox
In Line Motor	In Line Motor	In Line	Right Angle	Right Angle

2. What is the application? - Pier or Vessel

3. Is the capstan head vertical (as shown above) or horizontal?

4. What is the power supply? – Electric, Hydraulic, Pneumatic

5. If Electric, what is the electric power supply is available?

A. 50 or 60 Hz?

B. Volts?

C. 1 or 3 Phase?

If Hydraulic or Pneumatic what is the pressure and flow rate of available air or hydraulic fluid?

6. Line pull needed (how heavy is maximum load)?

7. Line speed needed (how fast does the line need travel)
  
8. How many are needed?
  
9. Is motor controller or control valves needed?
  - A. forward direction only
  - B. forward and reverse direction
  - C. variable speed
  
10. What is the motor controller style?
  - A. foot switch
  - B. control box
  - C. mounted control valve
  - D. control pendant
  
11. Does the product need any special features?
  - A. explosion proof
  - B. ?
  
12. What is the delivery location for estimate of shipping costs?