

DECK



Pacific Marine & Industrial

www.pacificmarine.net

info@pacificmarine.net



The very compact mounting height of only 36 mm enables an easy mounting into the floor without building a potential source for accidents.

Our deckrails have a specially developed sliding-system for smooth, fast and easy moving.

In addition to this, the slidingrails have closed ends that save time while fitting to the floor. There is no extra-frame needed to protect the system during original installation.

This also keeps dirt out of the system.



Pacific Marine & Industrial

www.pacificmarine.net

info@pacificmarine.net

DECK RAIL



Profile

Our famous deckrails – made of a light-weight but strong combination of aluminium and stainless steel – offer a wide range of possibilities to increase the comfort and safety »on deck« of nearly every wheelhouse. They also allow movement of the chair into the desired position while seated.

Serial features

- mounting height of only 36 mm
- special sliding system for smooth and fast moving
- closed ends for easy mounting
- available in lengths from 800 mm to 6000 mm

Additional features

- electrical version 12V/24V
- ramp-frame for »on-floor«-version (stainless steel)
- compact version mounting height 28 mm
- bowden cable release system
- special length up to 10000 mm
- cable bearing for connection of controls in the rail
- anti-slip surface on deck plate
- additional carriages for mounting of two or more chairs on one rail
- new: curved version available

MOUNTING SYSTEM



Pacific Marine & Industrial
www.pacificmarine.net
info@pacificmarine.net



Deck-rail

Built-in tube

Floor surface

Mounting system for deck-rails

As an accessory for our deck-rails we offer a special mounting system which can be used optionally for nearly every mounting situation.

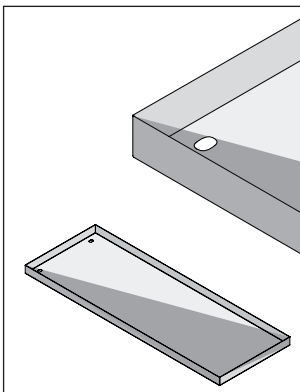
This *built-in tube* can be used as a dummy during floor surface work. The deck rail can be laid inside when finishes.

The *decorative frame* offers the same advantages but has an additional side frame. The mating-faces of the floor surface are hidden under this frame.

In the case of deck-surfacing/deck cutouts the self supporting *mounting system* offers the perfect choice.

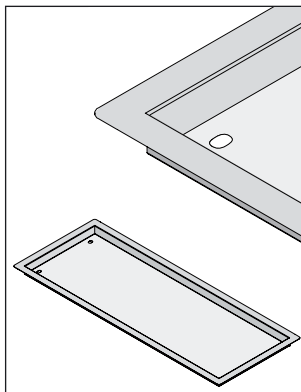
For a »mount-on-deck« version we offer a special *ramp frame* in order to avoid potential accidents.

Built-in tube



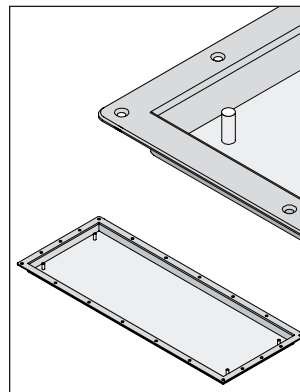
Simplifies installation. Also permits problem-free replacement of the deck during system modification or revision.

Decorative frame



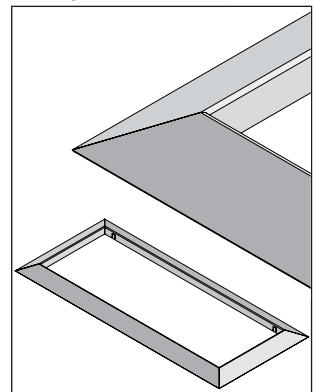
An optically pleasing transition between floor surface and deck rail is guaranteed.

Built-in system



Extremely stable mounting system with fixed bolts for installation on deck cutouts.

Ramp frames



Ramp frame to cover the deck-rails when built »on deck«.