



PACIFIC MARINE & INDUSTRIAL

MANUFACTURING ♦ DISTRIBUTION ♦ SERVICE

SHIP SCUPPER BIW DRAWING 8100-5220-0003

CUT SHEET

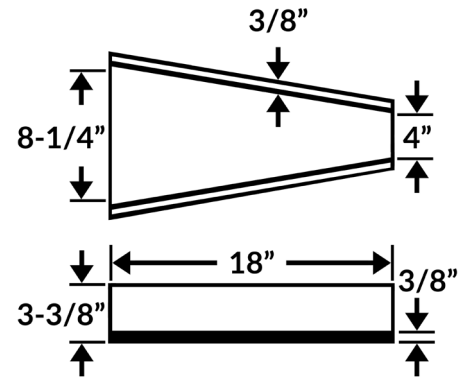
Scupper A

US Navy Type Rubber Scupper

With or Without Hardware Kit

8 1/4" Wide End x 4" Wide End
and 18" Overall Length

According to BIW Drawing 8100-5220-0003



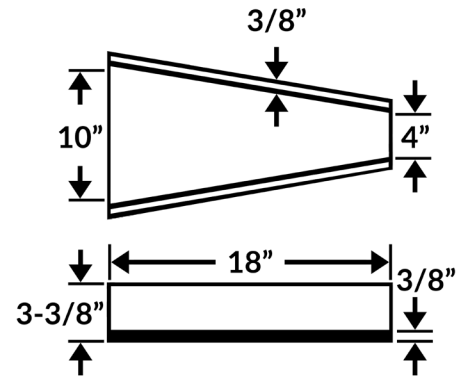
Scupper B

US Navy Type Rubber Scupper

With or Without Hardware Kit

10" Wide x 4" Wide Ends
and 18" Overall Length

According to BIW Drawing 8100-5220-0003



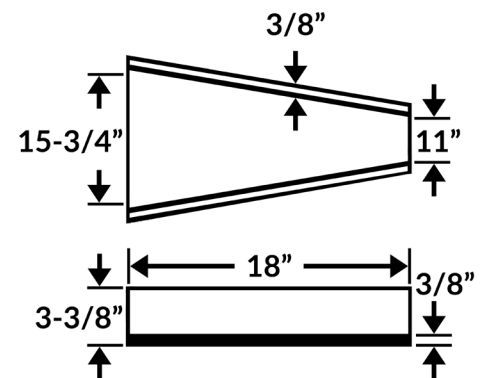
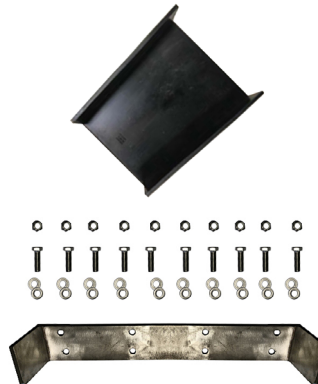
Scupper C

US Navy Type Rubber Scupper

With or Without Hardware Kit

15 3/4" Wide x 11" Wide Ends
and 18" Overall Length

According to BIW Drawing 8100-5220-0003



Quality Pacific Manufacturing, Inc.,

P.O. Box 70520 Richmond, CA USA 94807

510-233-2310

www.pacificmarine.net

info@pacificmarine.net

Copyright © Quality Pacific Manufacturing, Inc.