

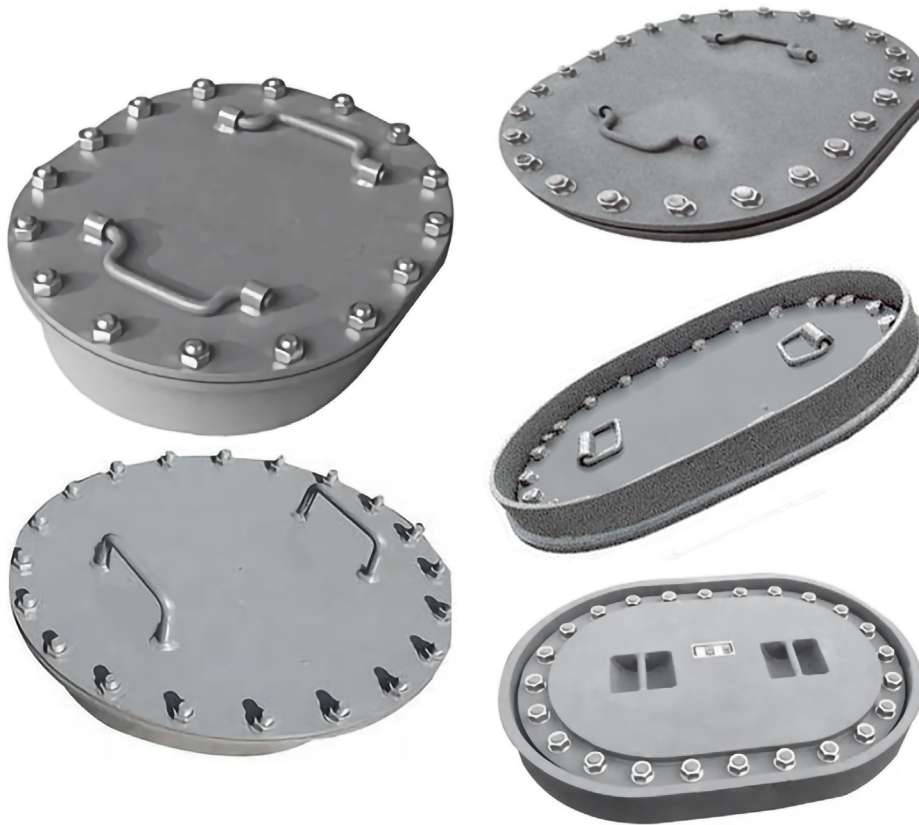


# PACIFIC MARINE & INDUSTRIAL

MANUFACTURING ♦ DISTRIBUTION ♦ SERVICE

## TANK ACCESS COVERS

## PRODUCT CATALOG



- Various Configurations and Size
- Raised, Low Profile, Flush & Recessed
- Fixed, Strap or Recessed Handles
  - Oval, Round or Square
- Class Society Approval on Request



Quality Pacific Manufacturing, Inc.,

P.O. Box 70520 Richmond, CA USA 94807

📞 510-233-2310

🌐 [www.pacificmarine.net](http://www.pacificmarine.net)

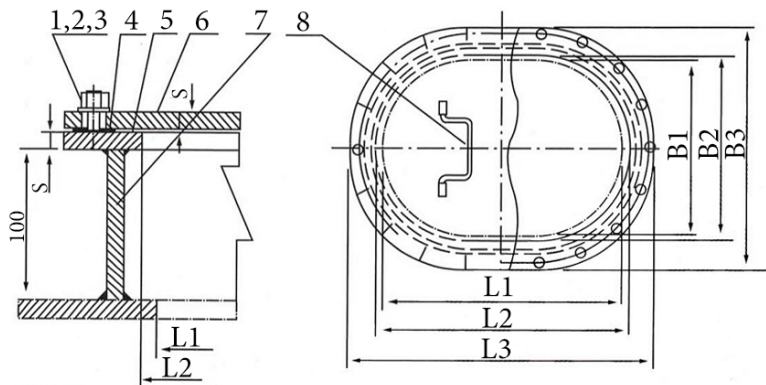
✉ [info@pacificmarine.net](mailto:info@pacificmarine.net)

Copyright © Quality Pacific Manufacturing, Inc.



## Raised Manhole or Tank Cover

- Handle Straps or Fixed Handles
- Custom Hatch Sizes Available
- Class Society Approved Upon Request (ABS, DNV-GL, LR, Etc.)
- 4mm to 14mm Plate Thickness
- Custom Made Product On Request
- Typical Sizes Listed Below



1. Bolt Stud
2. Nut
3. Washer
4. Gasket
5. Seat Ring
6. Cover Plate
7. Combing Plate
8. Swivel Handle

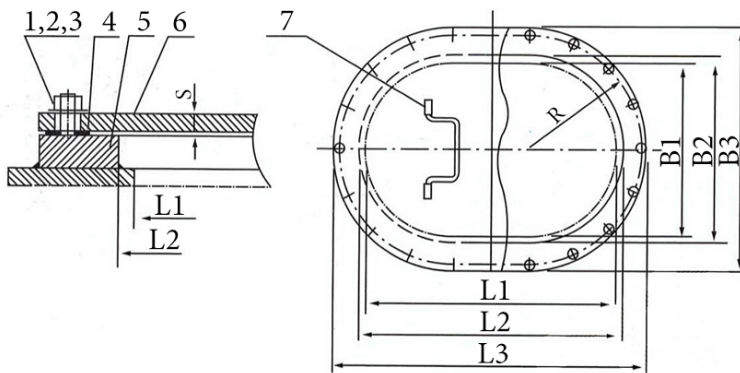
Size	L1	L2	L3	B1	B2	B3	S	Bolt		Weight (kg)
								Nominal Size	Number	
450 x 350	450	470	570	350	370	470	4	M20	16	23.2
							6			30.8
							8			36.9
							10			45.8
600 x 400	600	620	780	400	420	520	6	M20	20	48.8
							8			89.2
							10			69.3
							12			79.6
800 x 600	800	820	920	600	620	720	8	M20	26	52.4
							10			65.8
							12			78.2
							14			90.2





## Low Profile Manhole or Tank Cover

- Handle Straps or Fixed Handles
- Custom Hatch Sizes Available
- Class Society Approved Upon Request (ABS, DNV-GL, LR, Etc.)
- 4mm to 18mm Plate Thickness
- Custom Made Product On Request
- Typical Sizes Listed Below

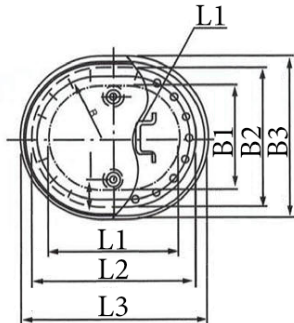
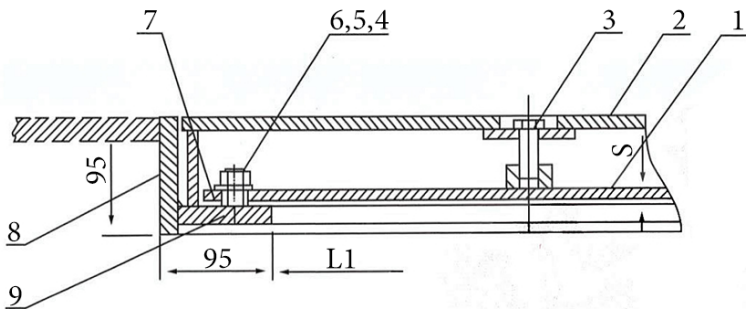


1. Bolt Stud
2. Nut
3. Washer
4. Gasket
5. Seat Ring
6. Swivel Handle

Size	L1	L2	L3	B1	B2	B3	S	Bolt		Weight (kg)
								Nominal Size	Number	
450 x 350	450	470	570	350	370	470	4	M20	16	23.2
							6			30.8
							8			36.9
							10			45.8
600 x 400	600	620	780	400	420	520	6	M20	20	48.8
							8			89.2
							10			69.3
							12			79.6
800 x 600	800	820	920	600	620	720	8	M20	26	52.4
							10			65.8
							12			78.2
							14			90.2
800 x 600	800	830	930	400	430	530	12	M20	24	56.8
							14			63.2
							16			69.2
							18			76.2



## Recessed Manhole or Tank Cover

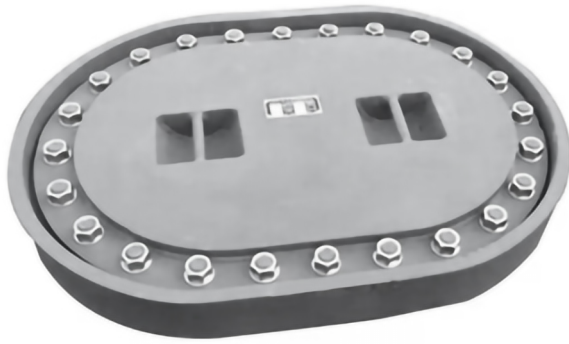


- Handle Straps or Fixed Handles
- Custom Hatch Sizes Available
- Class Society Approved Upon Request (ABS, DNV-GL, LR, Etc.)
- 4mm to 18mm Plate Thickness
- Custom Made Product On Request
- Typical Sizes Listed Below

1. 1st Cover plate
2. 2nd Cover plate
3. Bolt
4. Bolt
5. Nut
6. Washer
7. Gasket
8. Combing Plate
9. Seat Ring
10. Sealing Gasket
11. Swivel Handle

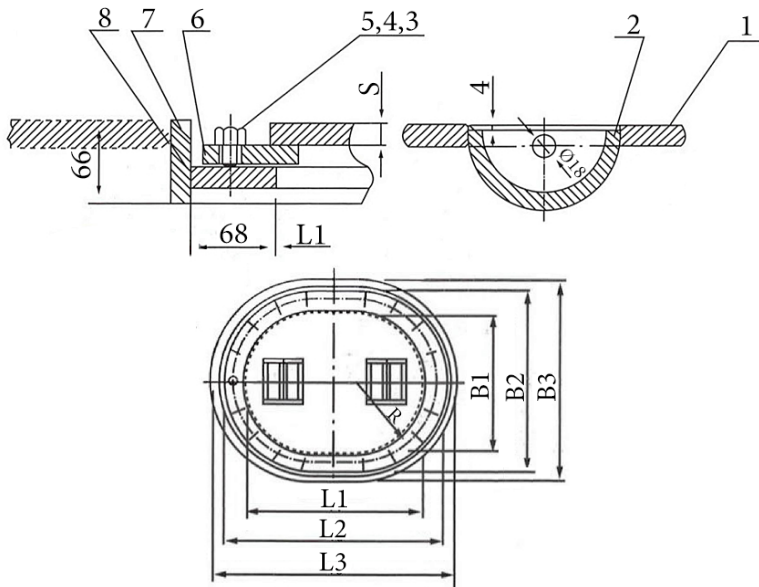
Size	L1	L2	L3	B1	B2	B3	S	Bolt		Weight (kg)
								Nominal Size	Number	
450 x 350	450	470	570	350	370	470	10	M20	16	116.6
							12			121.6
							14			128.6
600 x 400	600	620	780	400	420	520	10	M20	20	136.0
							12			142.2
							14			149.5
800 x 600	800	820	920	600	620	720	12	M20	26	171.5
							14			182.6
							18			206.8
800 x 600	800	830	930	400	430	530	12	M20	24	102.8
							14			118.2
							18			146.2





## Flush Manhole or Tank Cover

- Recessed Handles
- Custom Hatch Sizes Available
- Class Society Approved Upon Request (ABS, DNV-GL, LR, Etc.)
- 14mm to 20mm Plate Thickness
- Custom Made Product On Request
- Typical Sizes Listed Below



1. Cover Plate
2. Fixed Handle
3. Stud
4. Nut
5. Washer
6. Gasket
7. Combing Plate
8. Seat Ring
9. Sealing gasket

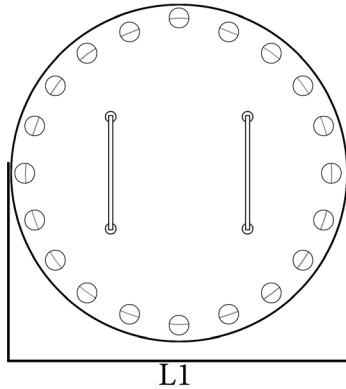
Size	L1	L2	L3	B1	B2	B3	S	Bolt		Weight (kg)
								Nominal Size	Number	
450 x 350	450	570	620	350	470	520	14	M20	16	73.1
							16			81.6
							18			90.2
600 x 400	600	720	770	400	520	570	14	M20	20	83.6
							16			88.8
							18			94.8
800 x 600	800	920	970	600	720	770	14	M20	26	108.4
							18			120.6
							20			149.8
800 x 600	800	930	980	400	530	580	14	M20	24	89.4
							16			102.5
							20			127.8





## Round Manhole or Tank Cover

- Handle Straps, Swivel, Recessed or Fixed Handles
  - Recessed, Flush and Raised Styles
- Class Society Approved Upon Request (ABS, DNV-GL, LR, Etc.)
  - 4mm to 20mm Plate Thickness
- Custom Made Product On Request
  - Typical Sizes Listed Below



Size	L1 (mm)
12 Inches Round	300mm
18 Inches Round	450mm
20 Inches Round	500mm
24 Inches Round	600mm
32 Inches Round	800mm



510-233-2310



[www.pacificmarine.net](http://www.pacificmarine.net)



[info@pacificmarine.net](mailto:info@pacificmarine.net)