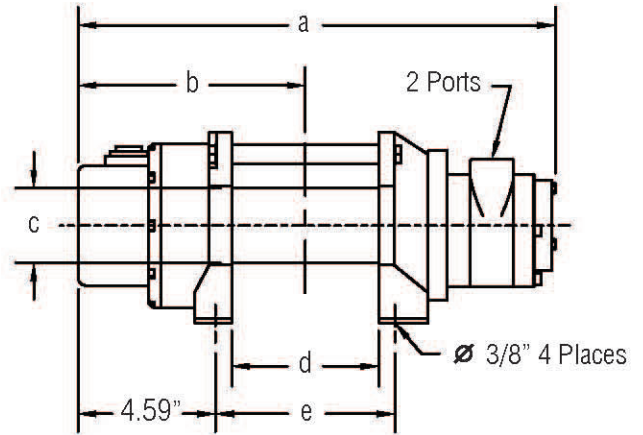
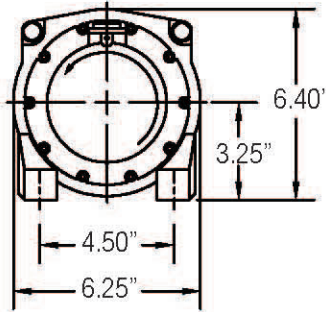
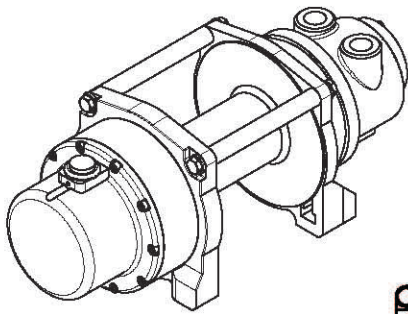


**DIMENSIONAL DATA**



| Drum Size | Dimensions |       |      |      |       | Typical Weight | Wire Rope Capacity |      |       |
|-----------|------------|-------|------|------|-------|----------------|--------------------|------|-------|
|           | a          | b     | c    | d    | e     |                | 3/16"              | 1/4" | 5/16" |
| -11       | 14.2"      | 6.59" | 3.5" | 2.7" | 4.0"  | 32 lbs         | 99'                | --   | --    |
| -01       | 15.9"      | 7.59" | 2.5" | 5.0" | 6.0"  | 35 lbs         | 213'               | 120' | 84'   |
| -02       | 19.9"      | 9.59" | 2.5" | 9.0" | 10.0" | 39 lbs         | 384'               | 217' | 147'  |

| Motor   | Port Size |
|---------|-----------|
| 0.75 HP | 3/8 NPT   |
| 1.25 HP | 1/2 NPT   |

**PERFORMANCE**

| Model                 | HP   | Power Input |     | Gear Ratio | Calculated Performance |      |           |      |           |      |
|-----------------------|------|-------------|-----|------------|------------------------|------|-----------|------|-----------|------|
|                       |      | PSI         | CFM |            | First Layer            |      | Mean Drum |      | Full Drum |      |
|                       |      |             |     |            | LBS                    | FPM  | LBS       | FPM  | LBS       | FPM  |
| HD470-P <sup>1</sup>  | 0.75 | 70          | 50  | 113:1      | 470                    | 35.9 | 387       | 43.8 | 327       | 51.7 |
| HD650-P <sup>1</sup>  | 0.75 | 70          | 50  | 156:1      | 650                    | 26.0 | 534       | 31.7 | 452       | 37.4 |
| HD900-P <sup>1</sup>  | 0.75 | 70          | 50  | 216:1      | 900                    | 18.8 | 739       | 22.9 | 625       | 27.0 |
| HD1450-P <sup>2</sup> | 1.25 | 70          | 80  | 113:1      | 1,450                  | 26.0 | 1,044     | 36.0 | 816       | 51.0 |
| HD2000-P <sup>2</sup> | 1.25 | 70          | 80  | 156:1      | 2,000                  | 19.0 | 1,440     | 26.0 | 1,125     | 37.0 |

<sup>1</sup> -11 drum

<sup>2</sup> -01 and -02 drums

Performance based on intermittent duty cycles.