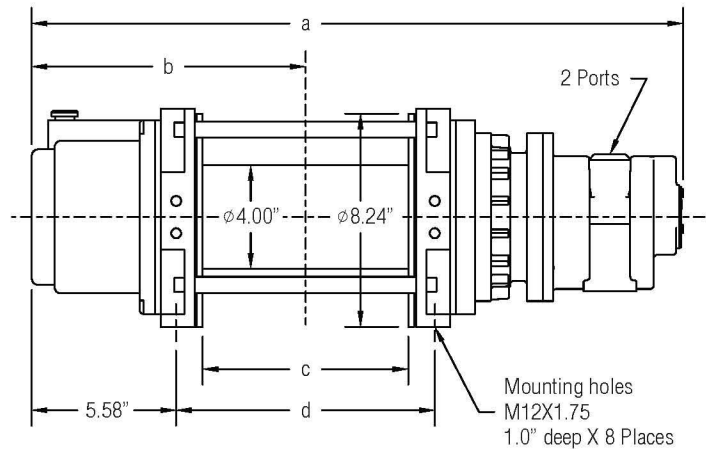
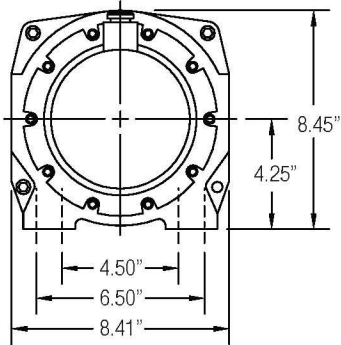
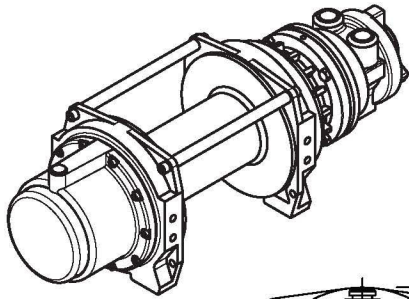


DIMENSIONAL DATA



Drum Size	Dimensions					Typical Weight		Wire Rope Capacity			Motor	Port Size
	a		b	c	d	2.5 HP	4.25 HP	1/4"	5/16"	3/8"		
	2.5 HP	4.25 HP										
01	23.8"	25.2"	10.57"	8.0"	10.0"	85 lbs	95 lbs	326'	228'	159'	2.5 HP	1/2" NPT
02	25.8"	27.2"	11.57"	10.0"	12.0"	88 lbs	98 lbs	407'	285'	198'	4.25 HP	3/4" NPT
03	28.3"	29.7"	12.82"	12.5"	14.5"	98 lbs	108 lbs	509'	356'	248'		

PERFORMANCE

Model	HP	Power Input		Gear Ratio	Calculated Performance					
		PSI	CFM		First Layer		Mean Drum		Full Drum	
					LBS	FPM	LBS	FPM	LBS	FPM
HF550-P	4.25	65	110	27:1	550	127.3	421	165.0	343	202.8
HF1200-P	6.5	75	190	27:1	1200	127.3	905	165.0	736	202.8
HF1750-P	2.5	70	75	164:1	1,750	27.9	1,376	36.2	1,120	44.5
HF3150-P	4.25	65	110	164:1	3,150	21.0	2,457	27.2	1,999	33.4

Performance based on intermittent duty cycles.