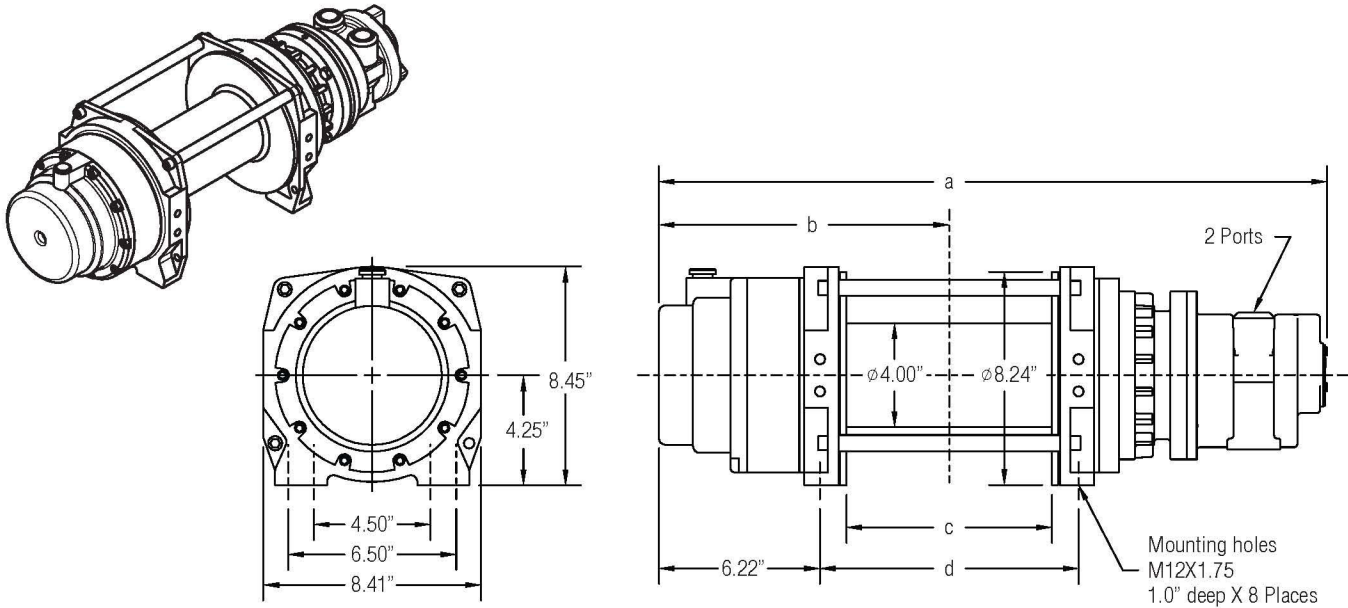


## DIMENSIONAL DATA



Drum Size	Dimensions					Typical Weight		Wire Rope Capacity			Motor	Port Size
	a		b	c	d	2.5 HP	4.25 HP	1/4"	5/16"	3/8"		
	2.5 HP	4.25 HP										
01	24.4"	25.8"	11.22"	8.0"	10.0"	95 lbs	105 lbs	326'	228'	159'	2.5 HP	1/2" NPT
02	26.4"	27.8"	12.22"	10.0"	12.0"	98 lbs	108 lbs	407'	285'	198'	4.25 HP	3/4" NPT
03	28.9"	30.3"	13.47"	12.5"	14.5"	108 lbs	118 lbs	509'	356'	248'		

## PERFORMANCE

Model	HP	Power Input		Gear Ratio	Calculated Performance					
		PSI	CFM		First Layer		Mean Drum		Full Drum	
					LBS	FPM	LBS	FPM	LBS	FPM
HG750-P	4.25	65	110	36:1	750	95.4	562	123.8	457	152.1
HG1600-P	6.5	75	190	36:1	1600	95.4	1206	123.8	981	152.1
HG2750-P	2.5	70	75	261:1	2,750	17.6	2,190	22.8	1,782	28.0
HG5000-P	4.25	65	110	261:1	5,000	13.2	3,910	17.1	3,182	21.0

Performance based on intermittent duty cycles.