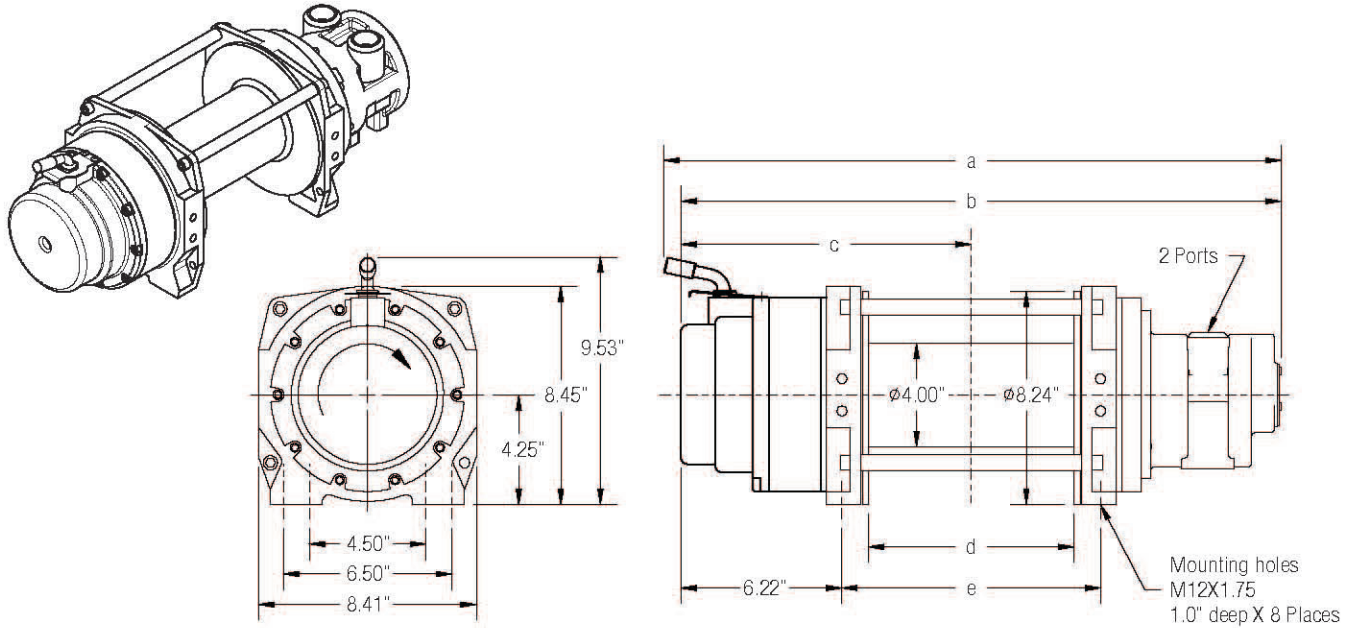


## DIMENSIONAL DATA



Drum Size	Dimensions									Typical Weight			Wire Rope Capacity			Motor	Port Size
	a			b			c	d	e	2.5 HP	4.25 HP	6.5 HP	1/4"	5/16"	3/8"		
	2.5 HP	4.25 HP	6.5 HP	2.5 HP	4.25 HP	6.5 HP											
01	22.4"	23.9"	24.5"	21.8"	23.3"	23.9"	11.22"	8.0"	10.0"	86 lbs	96 lbs	104 lbs	326'	228'	159'	2.5 HP	1/2" NPT
02	24.4"	25.9"	26.5"	23.8"	25.3"	25.9"	12.22"	10.0"	12.0"	89 lbs	99 lbs	107 lbs	407'	285'	198'	4.25 HP	3/4" NPT
03	26.9"	28.4"	29.0"	26.3"	27.8"	28.4"	13.47"	12.5"	14.5"	99 lbs	109 lbs	117 lbs	509'	356'	248'	6.5 HP	1" NPT

## PERFORMANCE

Model	HP	Power Input		Gear Ratio	Calculated Performance					
		PSI	CFM		First Layer		Mean Drum		Full Drum	
					LBS	FPM	LBS	FPM	LBS	FPM
WG750-P	4.25	65	110	36:1	750	95.4	562	123.8	457	152.1
WG1600-P	6.5	75	190	36:1	1600	95.4	1206	123.8	981	152.1
WG2750-P	2.5	70	75	261:1	2,750	17.6	2,190	22.8	1,782	28.0
WG5000-P	4.25	65	110	261:1	5,000	13.2	3,910	17.1	3,182	21.0
WG10000-P	6.5	75	190	261:1	10,000	13.0	7,170	17.0	6,270	21.0

Performance based on intermittent duty cycles.